

0CNP3-M33300EN

## Directions for the Parts Catalog.

1. This Parts Catalog shows both standard and optional parts.
2. Parts may change without prior notice.
3. The following is an example of the Parts Catalog format.

REF.	LEV.	PARTS NO.	DESCRIPTION	Q'TY						I	R
				(A)	(B)	(C)	(D)	(E)	(F)		
1	1	729595-51390	FUEL INJECTION PUMP	1	1	1	1	1			1
1-1	1	729595-51391	FUEL INJECTION PUMP	1	1	1	1	1		N	1
		(A=E00185) (B=E00200)									
3	2	26022-060162	SCREW M 6X 16	9	9	9	9	9			
3-1	2	26022-060162	SCREW M 6X 16	4	4	4	4	4		K	
		(A=E00156) (B=E00156) (C=E00156) (D=E00156) (E=E00156)									
4	2	129470-51040	CAMSHAFT	1	1	1	1	1			
5	2	122710-51050	BEARING, ROLLER	2	2	2	2	2			
6	2	129470-51060	RETAINER	1	1	1	1	1			

Remarks
(1) BOOST COMPEMSATOR TYPE. OPTIONAL PART, TO E00155,(4JH-DT, 4JH-DTZ

### ① Ref. No.

The Ref. No. listed may not be in accordance with the illustration Ref. No.

(Ex.) Illustration No.

List Ref No.

1

1

(Before change)

1-1

(After change)

For interchangeable symbols N, R and K, illustrations for new parts may be abbreviated.

### ② Lev. (Level)

Level indication

The numbers below indicate the level of relativity towards the main part.

1 ----- Main parts (Assembly parts)

2 ----- Sub component included in " 1 ".

3 ----- Sub component included in " 2 ".

Note) Parts that are not for sale are partially illustrated but not listed.

### ③ Interchangeability Symbol

When a part change takes place, one of the following interchangeability symbols is indicated beside the part.

Symbol	Interchangeability	Contents note
N	Old $\begin{matrix} \leftarrow \text{Yes} \\ \text{No} \rightarrow \end{matrix}$ New	New Part is interchangeable for Old Part but Old Part is not interchangeable for New Part.
Q	Old $\begin{matrix} \leftarrow \text{No} \\ \text{Yes} \rightarrow \end{matrix}$ New	New Part is not interchangeable for Old Part but Old Part is interchangeable for New Part.
R	Old $\begin{matrix} \leftarrow \text{Yes} \\ \text{Yes} \rightarrow \end{matrix}$ New	New/ Old Parts are both interchangeable.
S	Old $\begin{matrix} \leftarrow \text{No} \\ \text{No} \rightarrow \end{matrix}$ New	New/ Old Parts are both not interchangeable.
W		Part newly added.
Z		Part discontinued.
F		Not interchangeable by a single part but interchangeable together with related parts.
K		Changes only for used parts quantities.

### ④ Effective Machine No.

When a part changes, the effective Machine No. will be indicated in the (A)-(F) column.

Product Symbol	Product No.	Product Symbol	Product No.
C	Clutch No. Compressor No.	F	Machine No. (Agricultural Equip.)
D	Drive No.	M	Machine No.
E	Engine No.		

Note 1) A date may follow the symbol. (Ex.) 1996.01

Note 2) "XXXXX" and "ZZZZZ" are for parts that could not be predicted or for engine models that could not be identified.

Note 3) (A=E00185) is the E (Engine Serial Number) for the column (A) model (in this case 4JH-DT) after the parts design change.

### ⑤ Remarks

Figures or alphabets (symbols) are entered in the remarks column.

The comments (remarks) on parts that are indicated at the bottom of the illustration are the same symbols as those stated above.

# Contents

Fig. No. Fig. Name

## ENGINE SECTION

1. CYLINDER BLOCK
2. GEAR HOUSING
3. OIL SUMP
4. CYLINDER HEAD & BONNET
5. SUCTION MANIFOLD & AIR CLEANER
6. EXHAUST MANIFOLD & SILENCER
7. CAMSHAFT & DRIVING GEAR
8. CRANKSHAFT & PISTON
9. HYDRAULIC PUMP
10. LUB. OIL SYSTEM
11. COOLING WATER SYSTEM
12. RADIATOR
13. FUEL INJECTION PUMP
14. GOVERNOR
15. FUEL INJECTION VALVE
16. FUEL FILTER
17. FUEL TANK
18. STARTING MOTOR
19. GENERATOR
20. ELECTRICAL PARTS

## ENGINE RELATE SECTION

21. ENGINE MOUNTING
22. ENGINE RELATED

Fig. No. Fig. Name

## CHASSIS & CRAWLER UNIT

23. CHASSIS

## SNOW REMOVING UNIT

24. SNOW REMOVING FRAME
25. CHUTE
41. (25A)CHUTE(ADDITIONAL ITEMS
26. GEAR CASE
27. BLOWER
28. AUGER

## BODY SECTION

29. COVERS
30. HYDRAULIC PIPING
31. POWER TRANSMISSION
32. PANEL & HANDLE
33. CONTROL LEVER
34. CONTROL LEVER

## ELECTRICAL PARTS SECTION

35. ELECTRICAL PARTS
36. ELECTRICAL PARTS

# Contents

Fig. No. Fig. Name

## LABELS & ACCESSORIES

37. LABELS & ACCESSORIES

38. LABELS(PRODUCT LIABILITY)

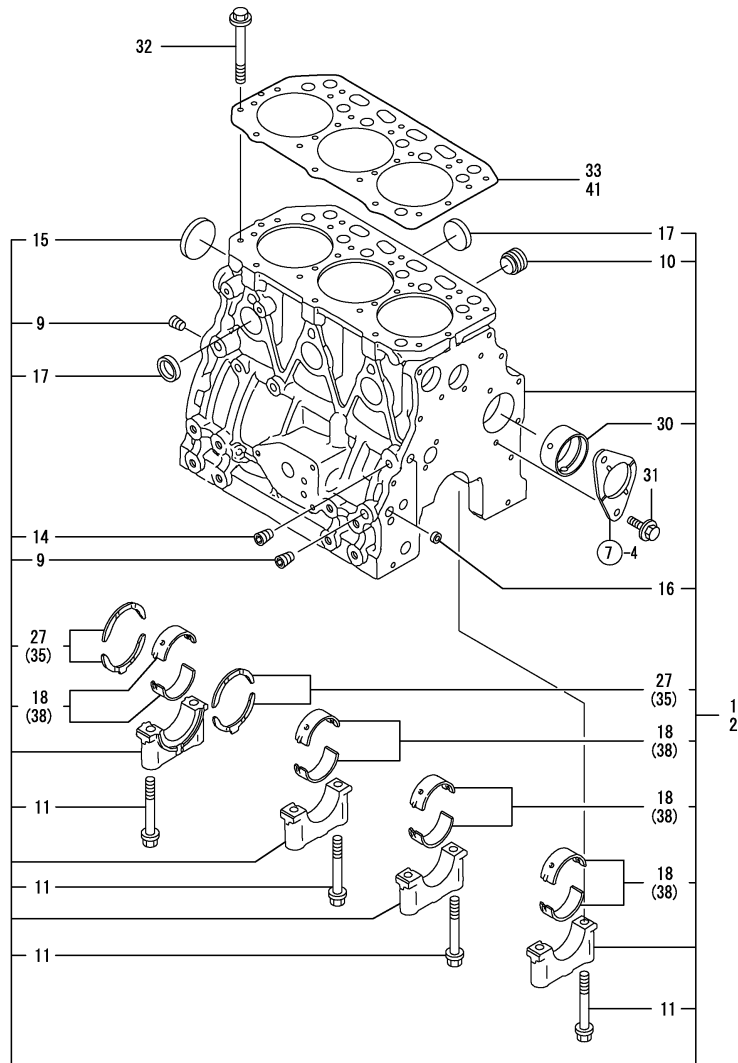
## TRANSMISSION UNIT

39. TRANSMISSION CASE,HST(ADD.ITEMS

40. GEAR,SHAFT(ADDITIONAL ITEMS

Fig. No. Fig. Name

Fig.1. CYLINDER BLOCK



(A)=3TNE84-RSR  
(B)=3TNE88-RSR  
(C)=

(D)=  
(E)=  
(F)=

No.	Lev.	Parts No.	Description	Q'ty						I	R
				(A)	(B)	(C)	(D)	(E)	(F)		
1	1	729001-01560	BLOCK ASSY, CYLINDER		1						
2	1	729002-01560	BLOCK ASSY, CYLINDER	1							
9	2	124160-01910	PLUG, PT1/4	3	3						
10	2	171051-01921	PLUG, NPTF1	1	1						
11	2	129150-02020	BOLT, METAL CAP	8	8						
14	2	23871-010000	PLUG, R01	1	1						
14-1	2	23876-010000	PLUG, R01	1	1						N
		(A=EXXX) (B=EXXX)									
15	2	27231-500000	PLUG 50	1	1						
15-1	2	129001-01250	PLUG, 50	1	1						N
		(A=EXXX) (B=EXXX)									
16	2	27241-120000	PLUG, 12	2	2						
17	2	27241-300000	PLUG 30	6	6						
18	2	129001-02800	BEARING, MAIN	4	4						
27	2	129150-02930	BEARING, THRUST	2	2						
30	2	129795-02411	BUSH, CAMSHAFT	1	1						
31	1	26106-080162	BOLT, M8X 16 PLATED	2	2						
31-1	1	26106-080142	BOLT, M8X 14 PLATED	2	2						N
		(A=E15998) (B=E05344)									
32	1	129150-01200	BOLT, HEAD	14	14						
33	1	129001-01340	GASKET, HEAD		1						
35	1	129150-02940	BEARING, THRUST 0.25	2	2						1
38	1	129150-02870	BEARING, 0.25 US	4	4						2
41	1	129002-01331	GASKET, HEAD	1							W
		(A=FROM 1ST)									

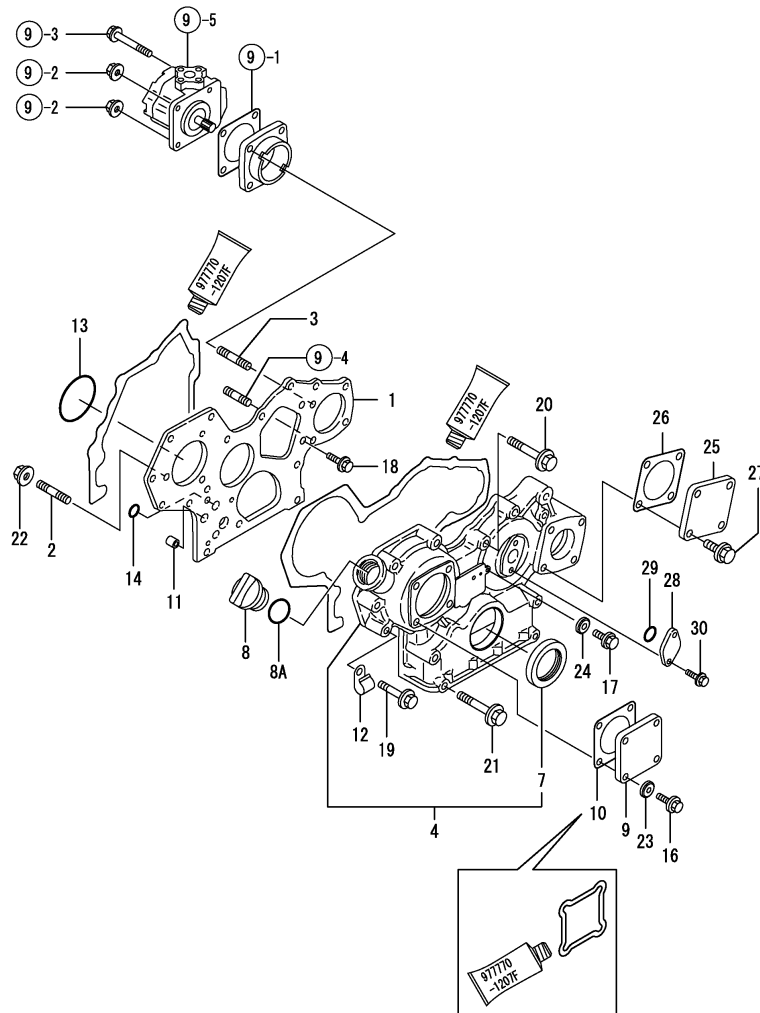
Remarks

(1) OVER-SIZE(O.S=0.25)PART.  
(2) UNDER-SIZE(U.S=0.25)PART.  
(REMARKS)"EFFECTIVE MACHINE NO." OF  
ENGINE IS INDICATED ON THE  
ENGINE LABEL WHICH IS SHOWN  
IN FIG.4.

Fig.2. GEAR HOUSING

(A)=3TNE84-RSR  
(B)=3TNE88-RSR  
(C)=

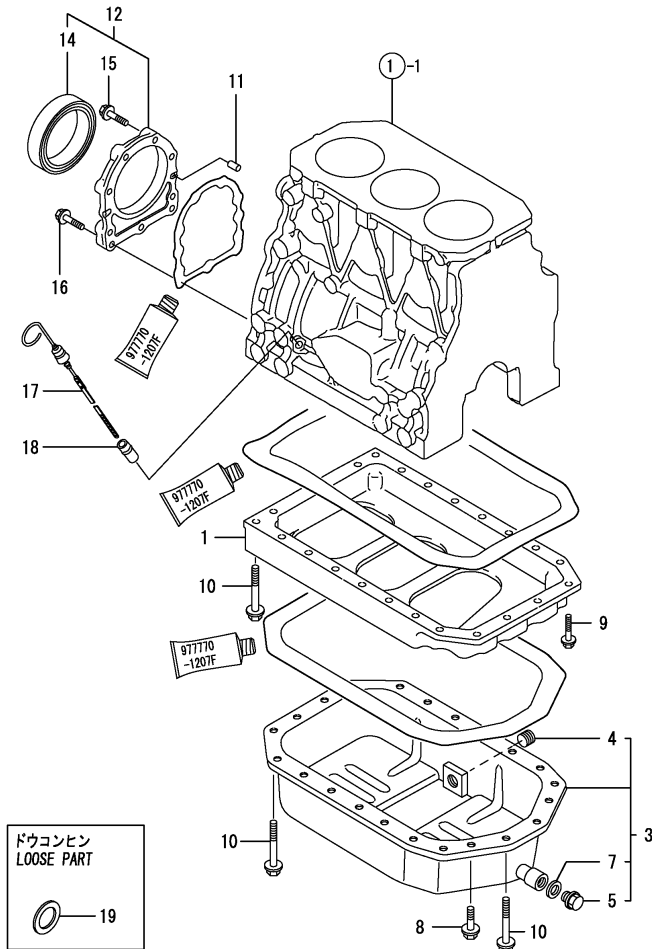
(D)=  
(E)=  
(F)=



No.	Lev.	Parts No.	Description	Q'ty						I	R
				(A)	(B)	(C)	(D)	(E)	(F)		
1	1	129100-01520	FLANGE, GEAR CASE	1	1						
2	1	121450-01560	STUD, M8X22	3	3						
3	1	129150-01580	STUD, M8X30	1	1						
4	1	129100-01590	CASE ASSY, GEAR	1	1						
7	2	129795-01800	SEAL, OIL	1	1						
8	1	124160-01751	COVER, FILLER	1	1						
8A	1	24311-000320	O-RING, 1AP32.0	1	1						W
		(A=E65490) (B=E43171)									
9	1	124240-01871	COVER	1	1						
10	1	124240-01883	GASKET	1	1						Z
		(A=E65490) (B=E65490)									
11	1	129795-01950	PIPE, KNOCK L=18	2	2						
12	1	129150-03100	RETAINER, PIPE	1	1						
13	1	121850-51960	O-RING	1	1						
14	1	24311-000160	O-RING, 1AP16.0	2	2						
14-1	1	119609-32040	O-RING, P16	2	2						R
		(A=E65490) (B=E43171)									
16	1	26106-080122	BOLT, M8X 12 PLATED	4	4						
17	1	26106-080162	BOLT, M8X 16 PLATED	1	1						
18	1	26106-080162	BOLT, M8X 16 PLATED	3	3						
19	1	26106-080452	BOLT, M8X 45 PLATED	6	6						
20	1	26106-080552	BOLT, M8X 55 PLATED	3	3						
21	1	26106-080852	BOLT, M8X 85 PLATED	4	4						
21-1	1	129001-91840	BOLT, M8X85	4	4						R
		(A=E42396) (B=E18720)									
21-2	1	129001-91841	BOLT, M8X85	4	4						R
		(A=E56036) (B=E33324)									
22	1	26366-080002	NUT, M8	3	3						
22-1	1	26306-080002	NUT, M8	3	3						N
		(A=E65490) (B=E65490)									
23	1	22190-080002	WASHER, SEAL 6	4	4						
24	1	22190-080002	WASHER, SEAL 6	1	1						
25	1	124240-01871	COVER	1	1						
26	1	124240-01883	GASKET	1	1						
27	1	26106-080122	BOLT, M8X 12 PLATED	4	4						
28	1	121023-01550	COVER	1	1						
29	1	24341-000240	O-RING, 1AS24.0	1	1						
30	1	26106-060122	BOLT, M6X 12 PLATED	2	2						
30-1	1	26106-060162	BOLT, M6X 16 PLATED	2	2						N
		(A=E42396) (B=E18720)									

Remarks  
(REMARKS)"EFFECTIVE MACHINE NO." OF  
ENGINE IS INDICATED ON THE  
ENGINE LABEL WHICH IS SHOWN  
IN FIG.4.

Fig.3. OIL SUMP



Remarks  
 (REMARKS)"EFFECTIVE MACHINE NO." OF  
 ENGINE IS INDICATED ON THE  
 ENGINE LABEL WHICH IS SHOWN  
 IN FIG.4.

(A)=3TNE84-RSR  
 (B)=3TNE88-RSR  
 (C)=

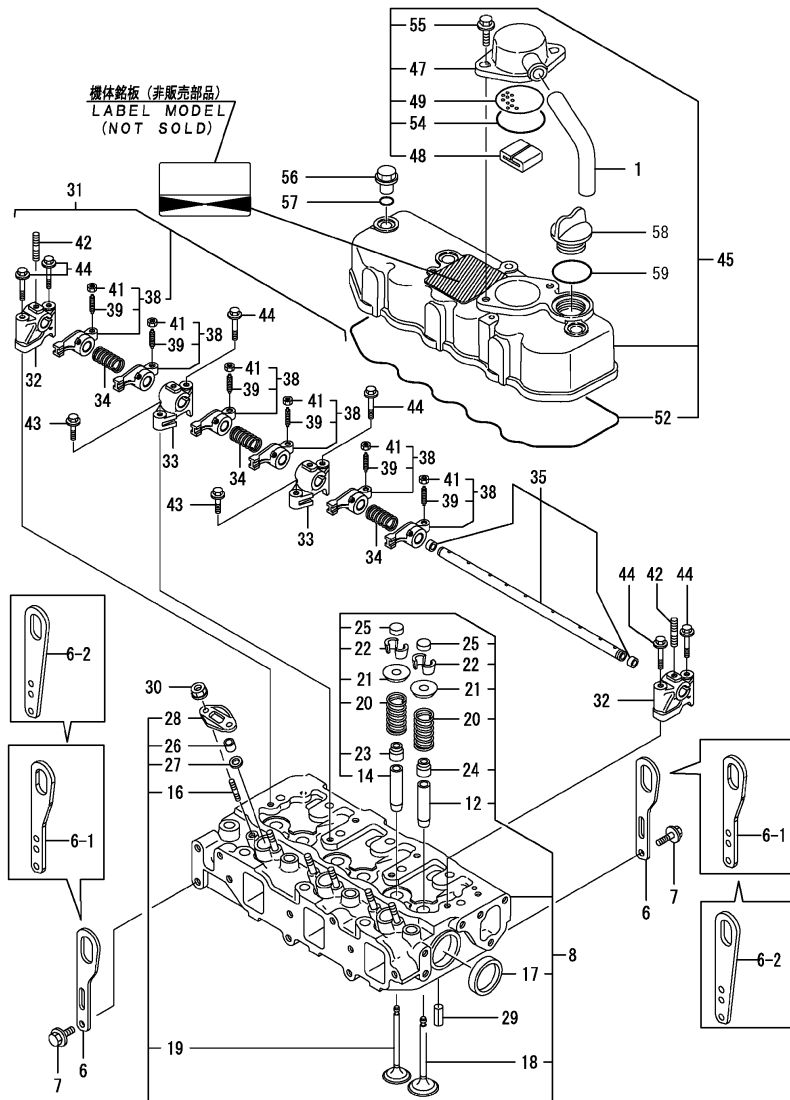
(D)=  
 (E)=  
 (F)=

No.	Lev.	Parts No.	Description	Q'ty						I	R
				(A)	(B)	(C)	(D)	(E)	(F)		
1	1	129100-01730	SPACER, OIL SUMP	1	1						
3	1	129112-01770	SUMP ASSY, OIL	1	1						
4	2	129137-01640	PLUG, M22	1	1						
5	2	105425-01690	PLUG, 16	1	1						
7	2	22190-160002	WASHER, SEAL 16	1	1						
8	1	26106-080162	BOLT, M8X 16 PLATED	4	4						
9	1	26106-080252	BOLT, M8X 25 PLATED	2	2						
10	1	26106-080452	BOLT, M8X 45 PLATED	20	20						
11	1	129100-01580	PIN, M8X16	2	2						
12	1	129100-01640	CASE ASSY, OIL SEAL	1	1						
14	2	129795-01780	SEAL, OIL	1	1						
15	1	26106-080302	BOLT, M8X 30 PLATED	6	6						
15-1	1	129486-01670	BOLT, M8X30	6	6						R
		(A=E15998) (B=E05344)									
16	1	26106-080352	BOLT, M8X 35 PLATED	3	3						
17	1	171420-34800	DIPSTICK, OIL	1	1						
18	1	121520-34810	GUIDE, DIPSTICK	1	1						
19	1	22190-220002	WASHER, SEAL 22	1	1						W
		(A=E56036) (B=E33324)									

Fig.4. CYLINDER HEAD & BONNET

(A)=3TNE84-RSR  
(B)=3TNE88-RSR  
(C)=

(D)=  
(E)=  
(F)=



No.	Lev.	Parts No.	Description	Q'ty						I	R
				(A)	(B)	(C)	(D)	(E)	(F)		
1	1	129150-03090	HOSE, ID16X2T	1	1						
6	1	124736-07900	LIFTER	2	2						
6-1	1	129604-07900	LIFTER	2	2						N
6-2	1	129900-07900	LIFTER	2	2						N
		(A="2009.05) (B="2009.05)									
7	1	26106-080142	BOLT, M8X 14 PLATED	4	4						
8	1	129001-11700	HEAD ASSY, CYLINDER	1	1						
12	2	120130-11860	GUIDE, VALVE	3	3						1
14	2	129150-11810	GUIDE, VALVE	3	3						1
16	2	26216-060202	STUD, M6X 20	6	6						
17	2	27241-400000	PLUG, 40	2	2						
18	2	129100-11100	VALVE, INTAKE	3	3						
19	2	129100-11110	VALVE, EXHAUST	3	3						
19-1	2	129100-11111	VALVE, EXHAUST	3	3						R
		(A=EXXX) (B=EXXX)									
20	2	129795-11120	SPRING, VALVE	6	6						
21	2	129795-11180	RETAINER, SPRING	6	6						
22	2	27310-080001	COTTER, 8	6	6						
23	2	121400-11340	SEAL, VALVE STEM	3	3						
24	2	124460-11340	SEAL, VALVE STEM	3	3						
25	2	129150-11370	CAP, VALVE	6	6						
26	2	119625-11871	PROTECTOR, NOZZLE	3	3						
26-1	2	119625-11870	PROTECTOR, NOZZLE	3	3						N
		(A=EXXX) (B=EXXX)									
26-2	2	119625-11872	PROTECTOR, NOZZLE	3	3						R
		(A=E63677) (B=E41035)									
26-3	2	119625-11870	PROTECTOR, NOZZLE	3	3						N
		(A=E73818) (B=E49901)									
27	2	119625-11880	SEAT, NOZZLE	3	3						
28	2	119625-11900	RETAINER, NOZZLE	3	3						
29	1	22351-060012	PIN, SPRING 6.0X12	2	2						
30	1	26366-060002	NUT, M6	6	6						
31	1	129155-11241	SHAFT ASSY, ROCKER	1	1						
32	2	129155-11260	SUPPORT, ROCKER ARM	2	2						
33	2	129155-11270	SUPPORT, ROCKER ARM	2	2						
34	2	129150-11280	SPRING	3	3						
35	2	129150-11290	SHAFT, ROCKER ARM	1	1						
38	2	729402-11650	ARM ASSY, ROCKER	6	6						
39	3	129150-11230	SCREW, VALVE ADJUST	6	6						
41	3	129150-11750	NUT, M8	6	6						
42	2	26226-080182	STUD, M8X 18	3	3						
42-1	2	119802-11280	STUD	3	3						N
		(A=EXXX) (B=EXXX)									
43	1	26106-080252	BOLT, M8X 25 PLATED	2	2						
44	1	26106-080502	BOLT, M8X 50 PLATED	6	6						
45	1	129100-11350	BONNET ASSY, HEAD	1	1						
45-1	1	729132-11521	BONNET ASSY, HEAD	1	1						N
		(A=E50625) (B=E26084)									
47	2	129150-03020	COVER, BREATHER	1	1						
48	2	129150-03070	BAFFLE, BREATHER	1	1						

Remarks

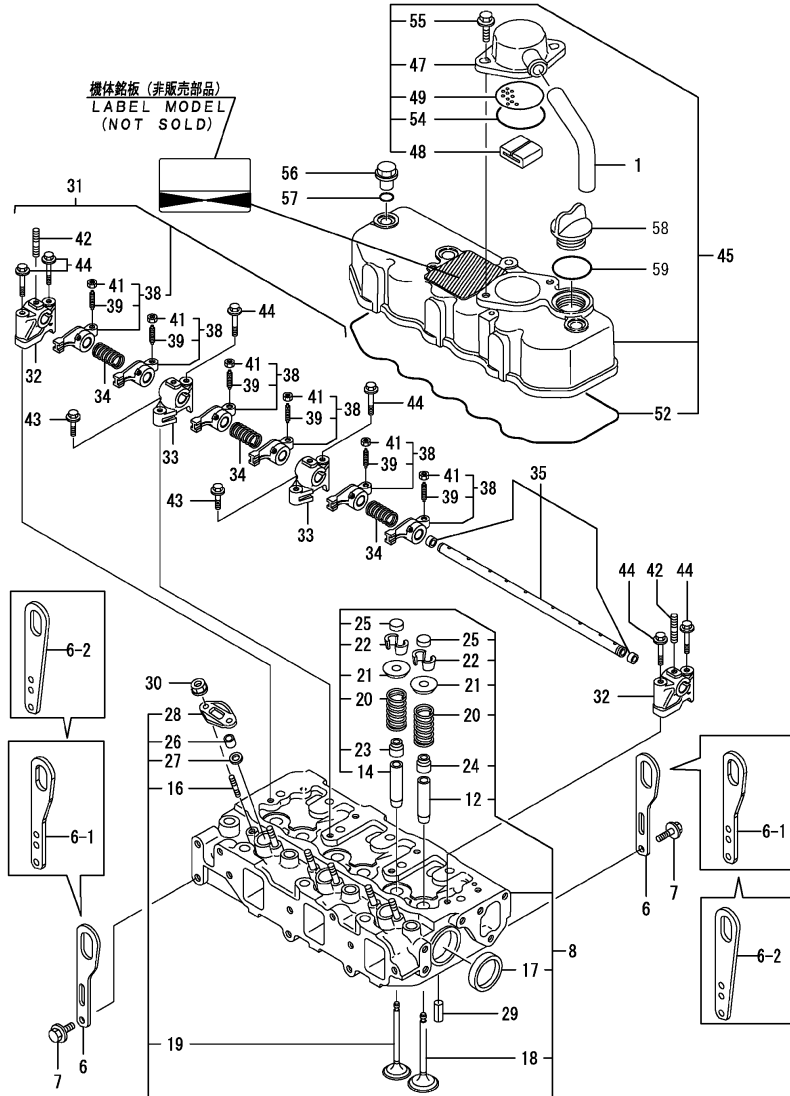
(1) REPAIR PART.  
(REMARKS)"EFFECTIVE MACHINE NO." OF  
ENGINE IS INDICATED ON THE  
ENGINE LABEL WHICH IS SHOWN  
IN FIG.4.



Fig.4. CYLINDER HEAD & BONNET

(A)=3TNE84-RSR  
 (B)=3TNE88-RSR  
 (C)=

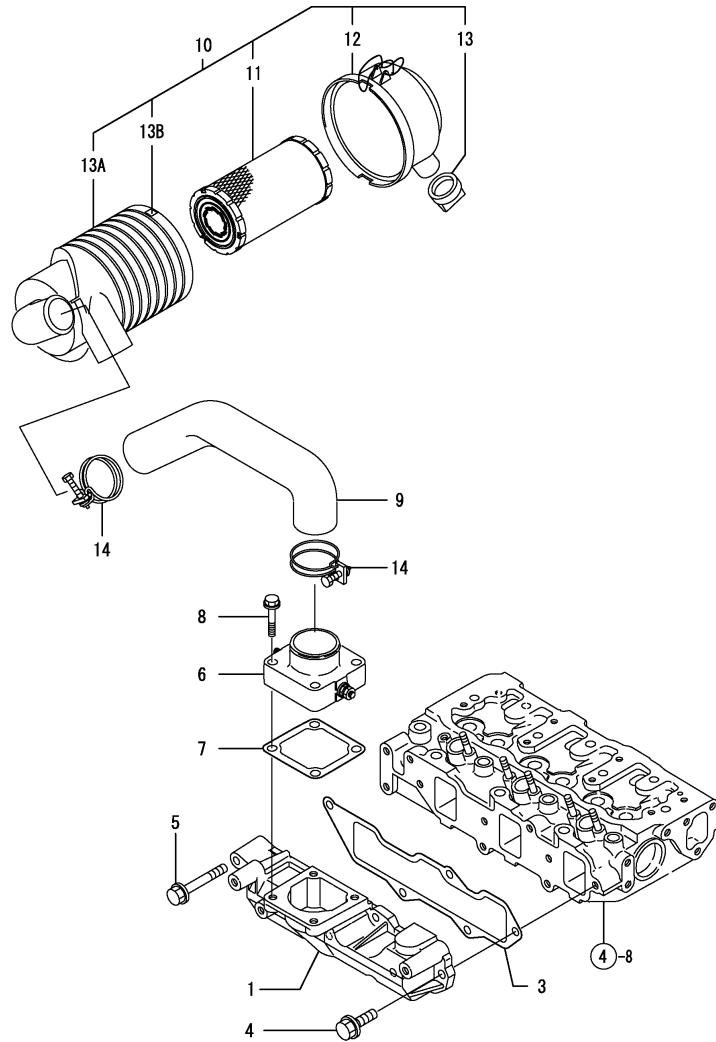
(D)=  
 (E)=  
 (F)=



No.	Lev.	Parts No.	Description	Q'ty						I	R
				(A)	(B)	(C)	(D)	(E)	(F)		
49	2	129150-03080	PLATE, BAFFLE	1	1						
52	2	129150-11310	GASKET, BONNET	1	1						
54	2	24341-000500	O-RING, 1AS50.0	1	1						
55	2	26106-080162	BOLT, M8X 16 PLATED	2	2						
56	1	124160-11360	KNOB	3	3						
57	1	24311-000120	O-RING, 1AP12.0	3	3						
58	1	124160-01751	COVER, FILLER	1	1						
59	1	24311-000320	O-RING, 1AP32.0	1	1						

Remarks  
 (1) REPAIR PART.  
 (REMARKS)"EFFECTIVE MACHINE NO." OF  
 ENGINE IS INDICATED ON THE  
 ENGINE LABEL WHICH IS SHOWN  
 IN FIG.4.

Fig.5. SUCTION MANIFOLD & AIR CLEANER



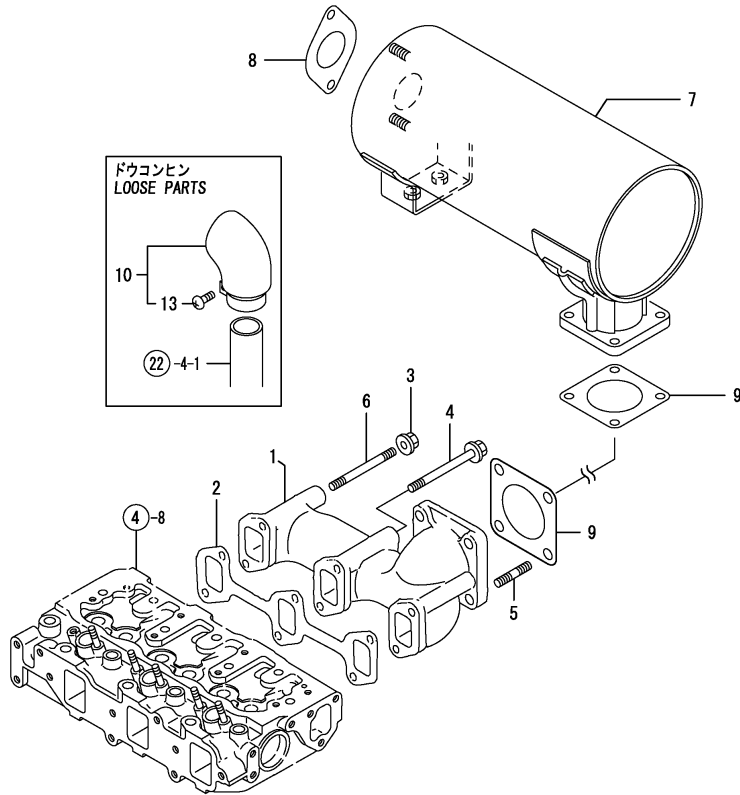
(A)=3TNE84-RSR  
(B)=3TNE88-RSR  
(C)=

(D)=  
(E)=  
(F)=

No.	Lev.	Parts No.	Description	Q'ty						I	R
				(A)	(B)	(C)	(D)	(E)	(F)		
1	1	129001-12120	MANIFOLD, AIR INTAKE	1	1						
3	1	129001-12110	GASKET, MANIFOLD	1	1						
4	1	26106-080202	BOLT, M8X 20 PLATED	4	4						
5	1	26106-080502	BOLT, M8X 50 PLATED	1	1						
6	1	129120-77501	HEATER	1	1						
7	1	129150-77511	GASKET	1	1						
8	1	26106-080352	BOLT, M8X 35 PLATED	4	4						
9	1	129065-12010	PIPE, AIR INTAKE	1	1						
10	1	129065-12510	CLEANER ASSY, AIR	1	1						
11	2	119808-12520	ELEMENT	1	1						
12	2	119866-12530	COVER ASSY	1	1						
13	2	119808-12540	VALVE, UNLOADER	1	1						
13A	2	129065-12600	BODY ASSY	1	1						W
		(A=E63803)	(B=E41147)								
13B	2	129418-12530	LABEL, MARK	2	2						W
		(A=E63803)	(B=E41147)								
14	1	23000-060000	CLAMP, 60	2	2						

Remarks  
(REMARKS)"EFFECTIVE MACHINE NO." OF  
ENGINE IS INDICATED ON THE  
ENGINE LABEL WHICH IS SHOWN  
IN FIG.4.

Fig.6. EXHAUST MANIFOLD & SILENCER



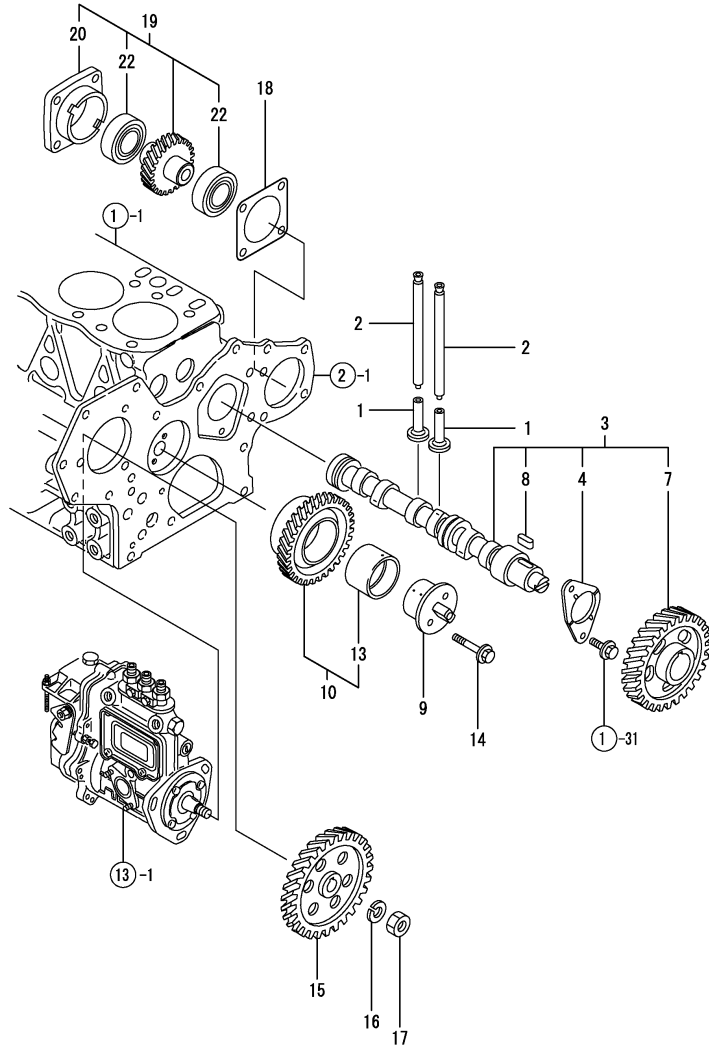
(A)=3TNE84-RSR  
(B)=3TNE88-RSR  
(C)=

(D)=  
(E)=  
(F)=

No.	Lev.	Parts No.	Description	Q'ty						I	R
				(A)	(B)	(C)	(D)	(E)	(F)		
1	1	129100-13110	MANIFOLD, EXHAUST	1	1						
2	1	129150-13110	GASKET	1	1						
3	1	194990-22050	NUT, M8	2	2						
3-1	1	26366-080002	NUT, M8	2	2						R
		(A=EXXX) (B=EXXX)									
3-2	1	26306-080002	NUT, M8	2	2						N
		(A=EXXX) (B=EXXX)									
4	1	26106-080802	BOLT, M8X 80 PLATED	4	4						
4-1	1	123900-13630	BOLT, M8X80	4	4						R
		(A=E73818) (B=E49901)									
5	1	26216-080222	STUD, M8X 22	4	4						Z
		(A=EXXX) (B=EXXX)									
6	1	26216-080802	STUD, M8X 80	2	2						
6-1	1	123900-13610	STUD, M8X80	2	2						R
		(A=E73818) (B=E49901)									
7	1	129065-13500	SILENCER	1	1						
8	1	129107-13550	GASKET	1	1						
9	1	124701-11911	GASKET, SILENCER	2	2						
10	1	105198-13610	EXTENSION ASSY	1	1						W
		(A=E34086) (B=E14707)									
13	2	26554-060162	SCREW, M6X16	1	1						W
		(A=E34086) (B=E14707)									

Remarks  
(REMARKS)"EFFECTIVE MACHINE NO." OF  
ENGINE IS INDICATED ON THE  
ENGINE LABEL WHICH IS SHOWN  
IN FIG.4.

Fig.7. CAMSHAFT & DRIVING GEAR



(A)=3TNE84-RSR  
(B)=3TNE88-RSR  
(C)=

(D)=  
(E)=  
(F)=

No.	Lev.	Parts No.	Description	Q'ty						I	R
				(A)	(B)	(C)	(D)	(E)	(F)		
1	1	129150-14200	TAPPET	6	6						
2	1	129150-14400	ROD, PUSH L=178	6	6						
3	1	129129-14580	CAMSHAFT ASSY	1	1						
4	2	129150-02450	BEARING, THRUST	1	1						
7	2	129150-14101	GEAR, CAMSHAFT	1	1						
8	2	22512-070140	KEY, 7X 14	1	1						
9	1	129100-25061	SHAFT, IDLE	1	1						
10	1	129150-25101	GEAR ASSY, IDLE	1	1						
13	2	129150-25920	BUSH, IDLE GEAR	1	1						1
14	1	26106-080452	BOLT, M8X 45 PLATED	2	2						
15	1	129150-25900	GEAR, PUMP	1	1						
16	1	22217-120000	WASHER, SPRING 12	1	1						
17	1	26716-120002	NUT, M12	1	1						
18	1	129150-01881	GASKET	1	1						
19	1	129150-26000	DRIVE ASSY, PUMP	1	1						
20	2	129150-26050	BRACKET, PUMP	1	1						
22	2	24105-060064	BEARING, BALL 6006Z	2	2						

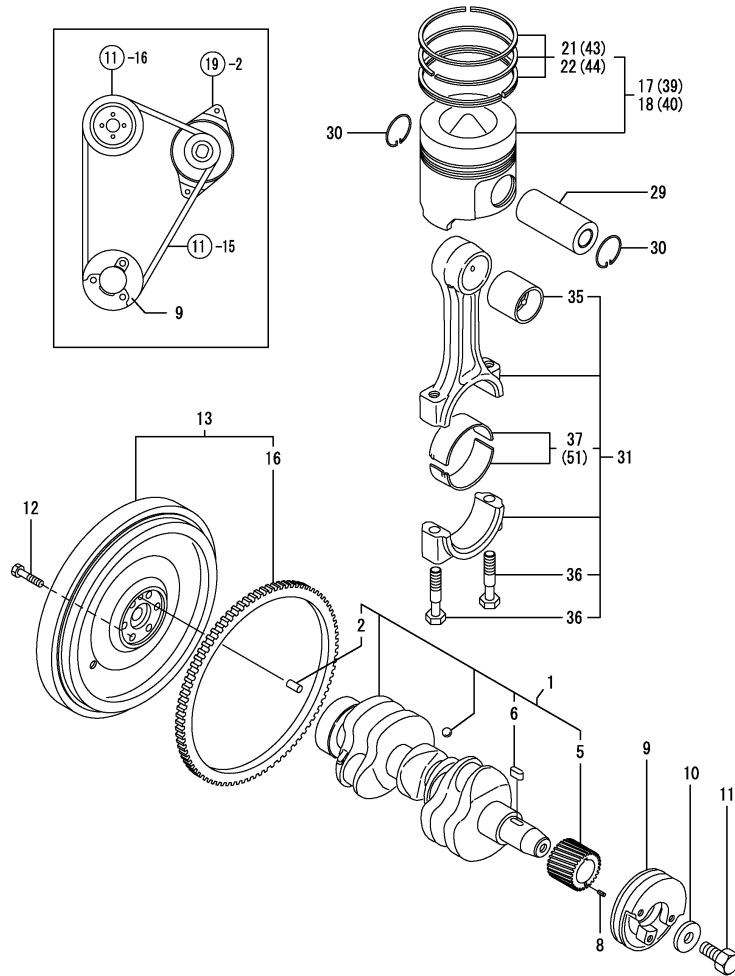
Remarks

(1) REPAIR PART.  
(REMARKS)"EFFECTIVE MACHINE NO." OF ENGINE IS INDICATED ON THE ENGINE LABEL WHICH IS SHOWN IN FIG.4.

Fig.8. CRANKSHAFT & PISTON

(A)=3TNE84-RSR  
(B)=3TNE88-RSR  
(C)=

(D)=  
(E)=  
(F)=



No.	Lev.	Parts No.	Description	Q'ty						I	R
				(A)	(B)	(C)	(D)	(E)	(F)		
1	1	129001-21000	CRANKSHAFT ASSY	1	1						
1-1	1	129001-21100	CRANKSHAFT ASSY	1	1						R
		(A=E56036) (B=E33324)									
2	2	129100-01580	PIN, M8X16	1	1						
5	2	129150-21200	GEAR, CRANKSHAFT	1	1						
6	2	22512-070140	KEY, 7X 14	1	1						
8	1	22351-040010	PIN, SPRING 4.0X10	1	1						
9	1	171340-21650	V-PULLEY	1	1						
10	1	129795-21661	WASHER	1	1						
11	1	121850-21680	BOLT	1	1						
12	1	121111-21501	BOLT, FLYWHEEL	6	6						
13	1	129255-21590	FLYWHEEL ASSY	1	1						
16	2	124550-21600	GEAR, RING	1	1						
17	1	129001-22081	PISTON ASSY			3					
18	1	129002-22081	PISTON ASSY	3							
21	2	129001-22500	RING SET, PISTON			3					
22	2	129002-22500	RING SET, PISTON	3							
29	1	129202-22300	PIN, PISTON D26 L70	3	3						
30	1	22252-000260	RING, 26	6	6						
31	1	729402-23100	ROD ASSY, CONNECTING	3	3						
35	2	129100-23910	BEARING, PISTON PIN	3	3						1
36	2	121550-23200	BOLT, CONNECTING ROD	6	6						
37	2	129150-23600	BEARING, CRANK PIN	3	3						
39	1	129001-22900	PISTON ASSY, 0.25 OS			3					2
40	1	129002-22900	PISTON ASSY, 0.25 OS	3							2
43	2	129001-22950	RING SET, 0.25 OS			3					2
44	2	129002-22950	RING SET, 0.25 OS	3							2
51	1	129150-23610	BEARING, 0.25 US	3	3						3

Remarks

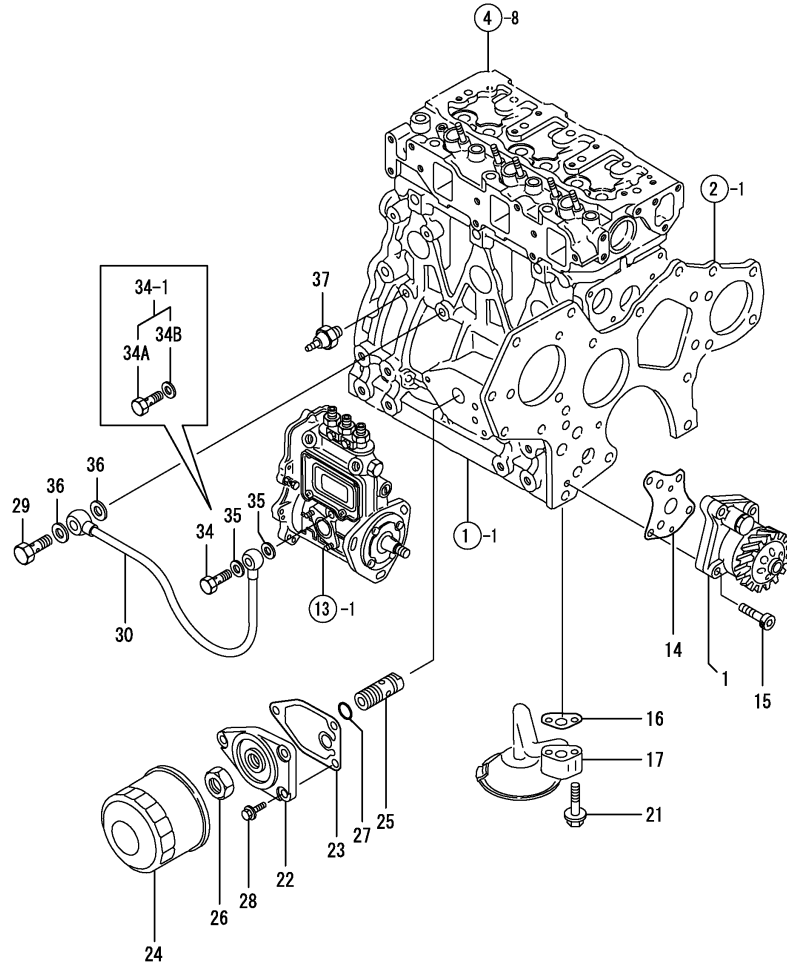
- (1) REPAIR PART.
- (2) OVER-SIZE(O.S=0.25)PART.
- (3) UNDER-SIZE(U.S=0.25)PART.
- (REMARKS)"EFFECTIVE MACHINE NO." OF ENGINE IS INDICATED ON THE ENGINE LABEL WHICH IS SHOWN IN FIG.4.



Fig.10. LUB. OIL SYSTEM

(A)=3TNE84-RSR  
(B)=3TNE88-RSR  
(C)=

(D)=  
(E)=  
(F)=



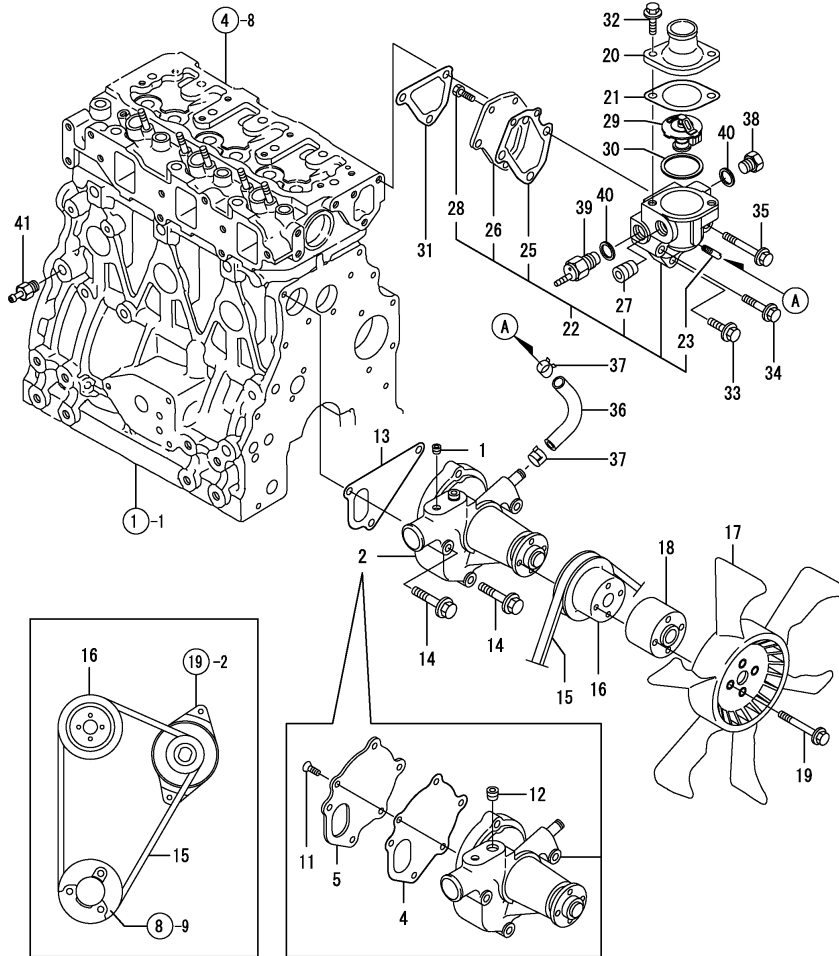
No.	Lev.	Parts No.	Description	Q'ty						I	R
				(A)	(B)	(C)	(D)	(E)	(F)		
1	1	129001-32001	PUMP ASSY, OIL	1	1						
14	1	129150-32020	GASKET, PUMP	1	1						
15	1	26450-060252	BOLT, M6X 25	4	4						
16	1	129150-35041	GASKET	1	1						
16-1	1	129150-35042	GASKET	1	1						N
		(A=E77749) (B=E59372)									
17	1	129150-35091	PIPE ASSY, OIL INLET	1	1						
21	1	26106-080352	BOLT, M8X 35 PLATED	2	2						
22	1	129150-35101	BRACKET, STRAINER	1	1						
23	1	129150-35111	GASKET	1	1						
24	1	129150-35153	FILTER	1	1						1
25	1	129001-35300	BOLT, FILTER	1	1						
26	1	129150-35350	NUT	1	1						
27	1	24311-000160	O-RING, 1AP16.0	1	1						
28	1	26106-080202	BOLT, M8X 20 PLATED	3	3						
29	1	124160-39140	BOLT, PIPE JOINT M10	1	1						
30	1	129150-39450	PIPE ASSY, OIL	1	1						
34	1	124550-59820	BOLT, PIPE JOINT M8	1	1						
34-1	1	124550-59830	BOLT ASSY, JOINT M8	1	1						N
		(A=E555) (B=E555)									
34A	2	124550-59820	BOLT, PIPE JOINT M8	1	1						W
		(A=E555) (B=E555)									
34B	2	22190-080002	WASHER, SEAL 6	1	1						W
		(A=E555) (B=E555)									
34B-1	2	22190-080003	WASHER, SEAL 8	1	1						N
		(A=E50625) (B=E26084)									
34B-2	2	22190-080002	WASHER, SEAL 6	1	1						N
		(A=E555) (B=E555)									
35	1	23414-080000	GASKET, 8X1.0	2	2						
35-1	1	22190-080002	WASHER, SEAL 6	1	1						R
		(A=E555) (B=E555)									
35-2	1	22190-080003	WASHER, SEAL 8	1	1						N
		(A=E50625) (B=E26084)									
35-3	1	22190-080002	WASHER, SEAL 6	1	1						N
		(A=E555) (B=E555)									
36	1	23414-100000	GASKET, 10X1.0	2	2						
36-1	1	22190-100002	WASHER, SEAL 10	2	2						N
		(A=E555) (B=E555)									
37	1	124160-39450	SWITCH, 0.5KG	1	1						
37-1	1	114250-39450	SWITCH, 0.5KG	1	1						N
		(A=E52209) (B=E27629)									

Remarks  
(1) REPAIR PART.

Fig.11. COOLING WATER SYSTEM

(A)=3TNE84-RSR  
(B)=3TNE88-RSR  
(C)=

(D)=  
(E)=  
(F)=



No.	Lev.	Parts No.	Description	Q'ty						I	R
				(A)	(B)	(C)	(D)	(E)	(F)		
1	1	121850-11860	PLUG, PT1/4	1	1						
2	1	129100-42002	PUMP ASSY, WATER	1	1						
2-1	1	129100-42003	PUMP ASSY, WATER	1	1						N
2-2	1	129100-42004	PUMP ASSY, WATER	1	1						N
		(A=E15998) (B=E05344) (A=E50625) (B=E26084)									
4	2	129100-42051	GASKET, WATER PUMP	1	1						
5	2	129100-42120	PLATE	1	1						
5-1	2	129100-42121	PLATE	1	1						N
		(A=E50625) (B=E26084)									
11	2	26577-060152	SCREW, M6X15	3	3						
11-1	2	121850-42410	SCREW	3	3						N
		(A=E50625) (B=E26084)									
12	2	23871-030000	PLUG, R03	1	1						
12-1	2	23876-030000	PLUG, R03	1	1						N
		(A=E50625) (B=E26084)									
12-2	2	129916-49740	PLUG, R03	1	1						N
		(A=E50625) (B=E26084) (A=E50625) (B=E26084)									
13	1	129100-42020	GASKET, WATER PUMP	1	1						
13-1	1	129486-42021	GASKET, WATER PUMP	1	1						N
		(A=E50625) (B=E26084)									
14	1	26106-080602	BOLT, M8X 60 PLATED	3	3						
15	1	25132-003600	V-BELT, A36	1	1						
16	1	129556-42350	V-PULLEY, 96	1	1						
17	1	171340-44740	FAN, COOLING D335XNF	1	1						
18	1	129030-44760	SPACER, FAN L38.5	1	1						
19	1	26106-060502	BOLT, M6X 50 PLATED	4	4						
20	1	129350-49530	COVER, THERMOSTAT	1	1						
21	1	129795-49551	GASKET	1	1						
22	1	129100-49800	CASE ASSY, THERMOSTAT	1	1						
23	2	124770-11770	JOINT, PIPE PT1/8	1	1						
25	2	129100-49820	GASKET	1	1						
25-1	2	129100-49821	GASKET	1	1						N
		(A=E50625) (B=E26084) (A=E50625) (B=E26084)									
26	2	129100-49830	COVER, THERMOSTAT	1	1						
27	2	23871-030000	PLUG, R03	1	1						
27-1	2	23876-030000	PLUG, R03	1	1						N
		(A=E50625) (B=E26084) (A=E50625) (B=E26084)									
28	2	26116-060162	BOLT, M6X 16 PLATED	2	2						
29	1	129155-49800	THERMOSTAT, 71	1	1						
29-1	1	129155-49801	THERMOSTAT, 71	1	1						N
		(A=E75323) (B=E52997)									
30	1	129150-49811	GASKET, THERMOSTAT	1	1						
31	1	129100-49840	GASKET	1	1						
31-1	1	124395-49840	GASKET	1	1						N
		(A=E50625) (B=E26084) (A=E56036) (B=E33324)									
32	1	26106-080202	BOLT, M8X 20 PLATED	2	2						
33	1	26106-080252	BOLT, M8X 25 PLATED	1	1						
34	1	26106-080502	BOLT, M8X 50 PLATED	1	1						
35	1	26106-080602	BOLT, M8X 60 PLATED	1	1						
36	1	129132-49050	PIPE, WATER	1	1						

Remarks  
(REMARKS)"EFFECTIVE MACHINE NO." OF  
ENGINE IS INDICATED ON THE  
ENGINE LABEL WHICH IS SHOWN  
IN FIG.4.

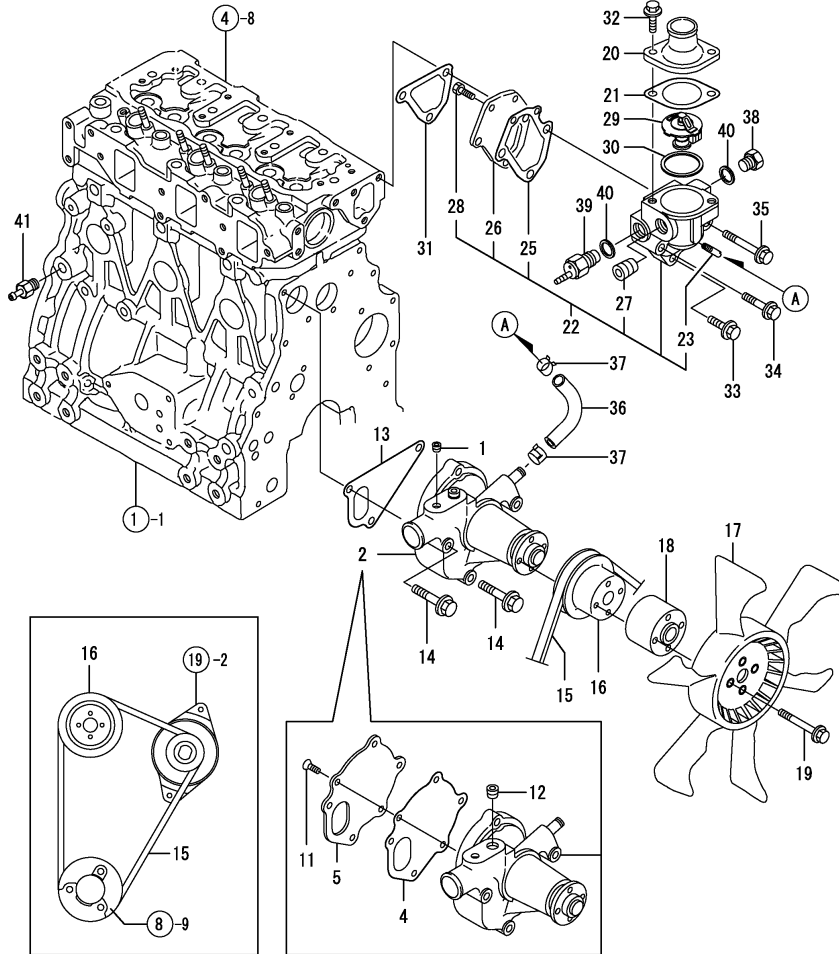


# Fig.11. COOLING WATER SYSTEM

(A)=3TNE84-RSR  
 (B)=3TNE88-RSR  
 (C)=

(D)=  
 (E)=  
 (F)=

No.	Lev.	Parts No.	Description	Q'ty						I	R
				(A)	(B)	(C)	(D)	(E)	(F)		
37	1	23000-016000	CLAMP, 16	2	2						
38	1	121450-42450	PLUG, M16	1	1						
39	1	121250-44901	SWITCH, 110	1	1						
40	1	124465-44950	GASKET, 16	2	2						
41	1	121550-49111	JOINT, PT1/4	1	1						



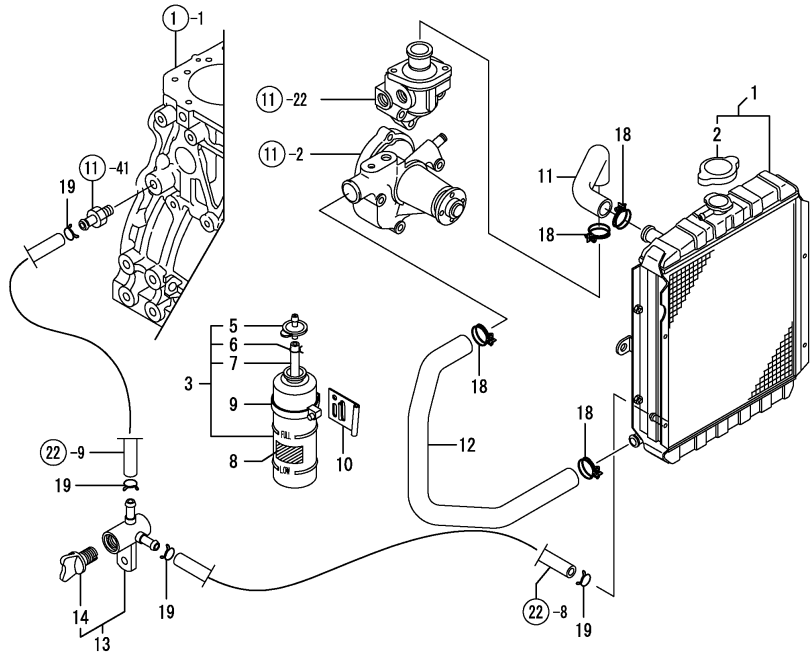
Remarks  
 (REMARKS)"EFFECTIVE MACHINE NO." OF  
 ENGINE IS INDICATED ON THE  
 ENGINE LABEL WHICH IS SHOWN  
 IN FIG.4.

# Fig.12. RADIATOR

(A)=3TNE84-RSR  
 (B)=3TNE88-RSR  
 (C)=

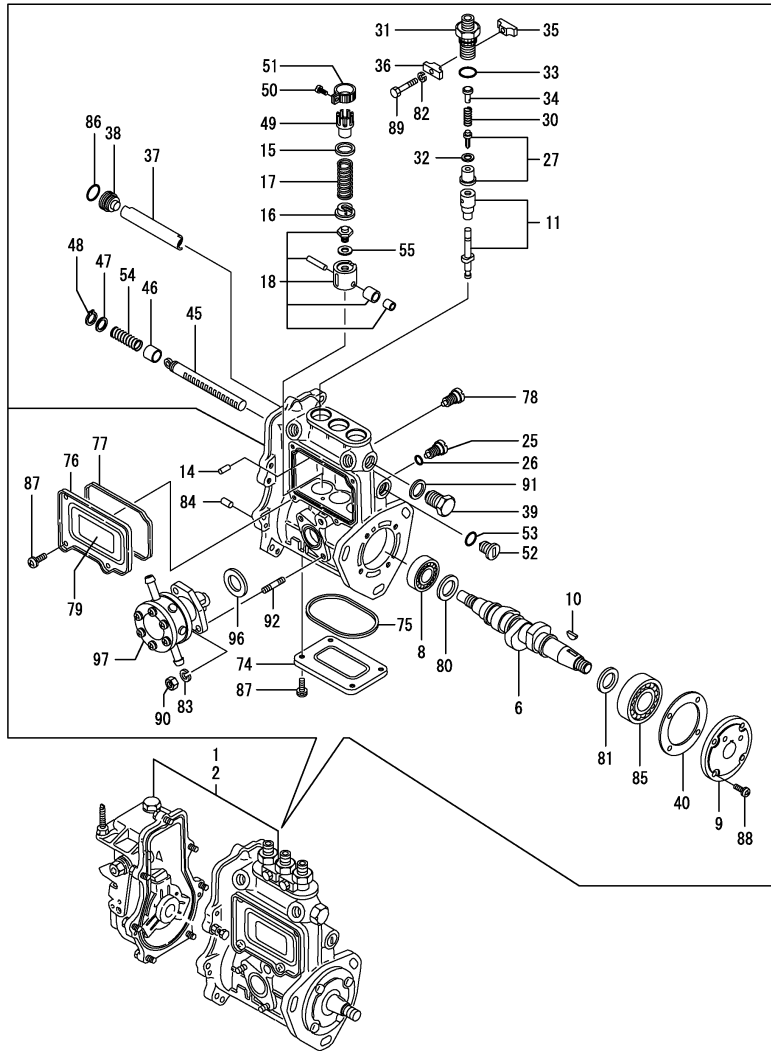
(D)=  
 (E)=  
 (F)=

No.	Lev.	Parts No.	Description	Q'ty						I	R
				(A)	(B)	(C)	(D)	(E)	(F)		
1	1	171440-44500	RADIATOR	1	1						
2	2	123682-44210	CAP, RADIATOR	1	1						
3	1	124450-44510	TANK ASSY, SUB	1	1						
5	2	124450-44530	CAP	1	1						
6	2	124450-44560	RETAINER	1	1						
7	2	23061-070230	PIPE, 7X 230	1	1						
8	1	121470-44540	LABEL, SUB-TANK	1	1						
9	1	124450-44550	BAND	1	1						
10	1	121256-44600	BRACKET, SUB TANK	1	1						
11	1	171301-49010	PIPE, WATER	1	1						
12	1	171301-49020	PIPE, WATER	1	1						
13	1	129150-49100	COCK ASSY, 3-WAY	1	1						
14	2	129150-49080	COCK, DRAIN	1	1						
18	1	23010-038000	CLAMP, 38	4	4						
19	1	23000-013000	CLAMP, 13	4	4						



Remarks  
 (REMARKS)"EFFECTIVE MACHINE NO." OF  
 ENGINE IS INDICATED ON THE  
 ENGINE LABEL WHICH IS SHOWN  
 IN FIG.4.

Fig.13. FUEL INJECTION PUMP



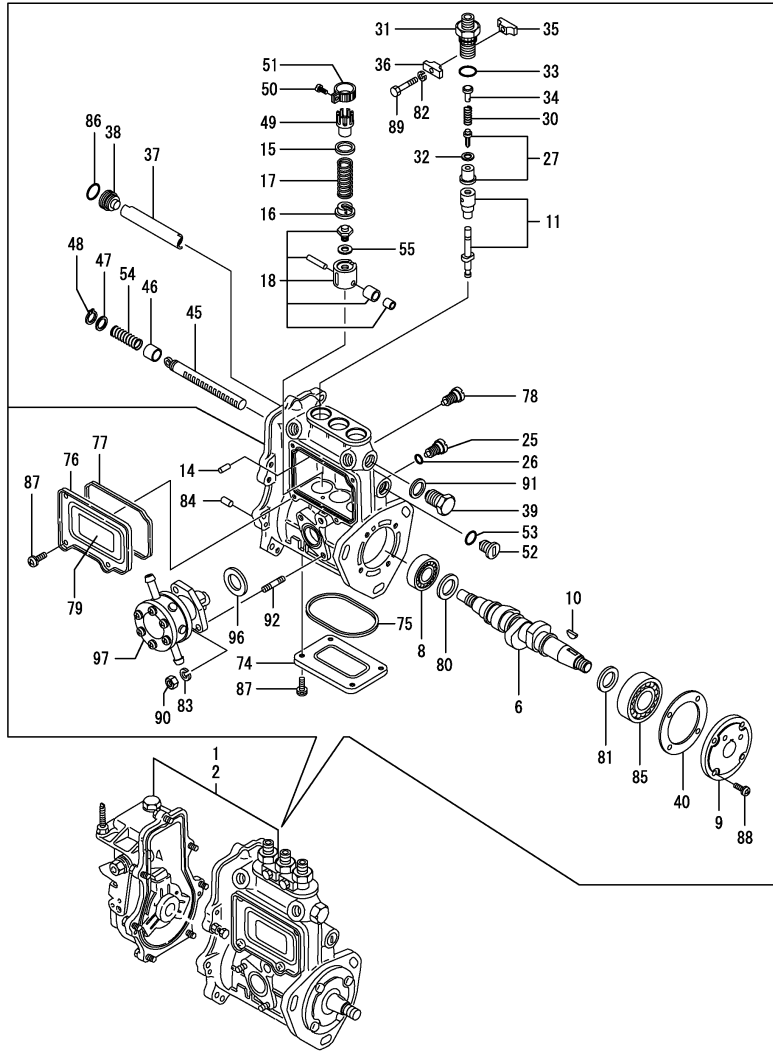
Remarks  
 (1) GOVERNOR ASSY(FIG.14) IS INCORPORATED IN THIS FOP.CMP (REF.NO.1,2).  
 (REMARKS)"EFFECTIVE MACHINE NO." OF ENGINE IS INDICATED ON THE ENGINE LABEL WHICH IS SHOWN IN FIG.4.

(A)=3TNE84-RSR  
 (B)=3TNE88-RSR  
 (C)=

(D)=  
 (E)=  
 (F)=

No.	Lev.	Parts No.	Description	Qty						I	R
				(A)	(B)	(C)	(D)	(E)	(F)		
1	1	729061-51360	PUMP ASSY, INJECTION	1							1
2	1	729065-51360	PUMP ASSY, INJECTION		1						1
6	2	119810-51040	CAMSHAFT	1	1						
8	2	129155-51050	BEARING, 17BM001D	1	1						
8-1	2	129155-51051	BEARING	1	1						N
		(A=E73818) (B=E49901)									
9	2	129155-51060	SUPPORT, CAMSHAFT	1	1						
10	2	122710-51090	KEY	1	1						
11	2	129506-51100	PLUNGER ASSY	3	3						
14	2	129155-51140	PIN	3	3						
15	2	174307-51170	RETAINER, SPRING A	3	3						
16	2	129155-51180	RETAINER, SPRING	3	3						
17	2	124950-51190	SPRING, PLUNGER	3	3						
18	2	129155-51200	TAPPET ASSY	3	3						
25	2	129155-51270	STOPPER, TAPPET	3	3						
26	2	129155-51280	O-RING, S6	3	3						
27	2	129100-51300	VALVE ASSY, DELIVERY	3	3						
30	2	129155-51320	SPRING, DELIVERY	3	3						
31	2	129155-51340	RETAINER	3	3						
32	2	124550-51350	GASKET, DELIVERY	3	3						
33	2	124550-51370	O-RING	3	3						
34	2	129155-51370	STOPPER, VALVE	3	3						
35	2	129155-51380	STOPPER	2	2						
36	2	129155-51390	STOPPER	2	2						
37	2	129155-51400	DEFLECTOR	1	1						
38	2	129155-51410	BOLT	1	1						
39	2	129155-51420	PLUG, M16	1	1						
40	2	129155-51450	SHIM SET, ADJUSTING	1	1						
45	2	129155-51500	RACK, CONTROL	1	1						
46	2	129155-51521	BUSH, RACK	1	1						
47	2	129155-51530	SPACER	1	1						
48	2	129155-51540	CIRCLIP	1	1						
49	2	129155-51550	PINION, CONTROL	3	3						
50	2	122117-51560	SCREW	3	3						
50-1	2	129100-51570	SCREW	3	3						N
		(A=EXXX) (B=EXXX)									
51	2	174307-51560	PINION	3	3						
51-1	2	129100-51560	PINION	3	3						N
		(A=EXXX) (B=EXXX)									
52	2	129155-51570	PLUG, M12	1	1						
53	2	129155-51580	O-RING	1	1						
54	2	129155-51591	SPRING, RACK	1	1						
55	2	129155-51600	SHIM SET, ADJUSTING	3	3						
74	2	129155-51700	COVER	1	1						
74-1	2	129155-51701	COVER	1	1						N
		(A=E56036) (B=E33324)									
75	2	129155-51710	GASKET	1	1						
75-1	2	129155-51711	GASKET	1	1						N
		(A=E58132) (B=E36483)									
76	2	129155-51750	COVER	1	1						
76-1	2	129155-51751	COVER	1	1						N

Fig.13. FUEL INJECTION PUMP



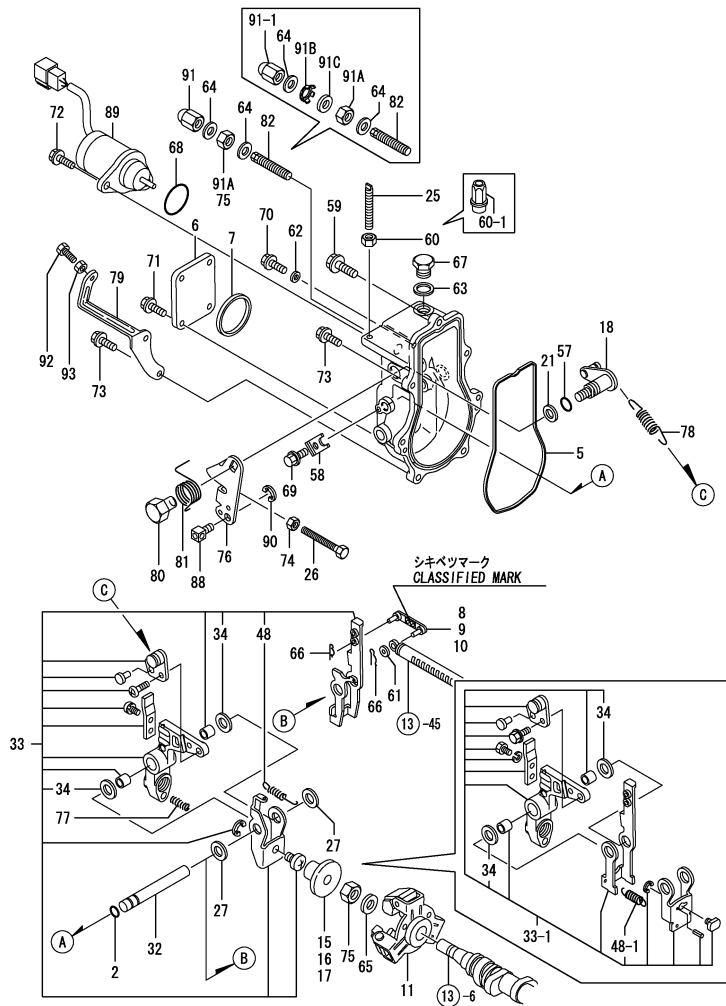
Remarks  
 (1) GOVERNOR ASSY(FIG.14) IS INCORPORATED IN THIS FOP.CMP (REF.NO.1,2).  
 (REMARKS)"EFFECTIVE MACHINE NO." OF ENGINE IS INDICATED ON THE ENGINE LABEL WHICH IS SHOWN IN FIG.4.

(A)=3TNE84-RSR  
 (B)=3TNE88-RSR  
 (C)=

(D)=  
 (E)=  
 (F)=

No.	Lev.	Parts No.	Description	Q'ty						I	R
				(A)	(B)	(C)	(D)	(E)	(F)		
		(A=E56036) (B=E33324)									
77	2	129155-51760	GASKET	1	1						
77-1	2	129155-51761	GASKET	1	1						N
		(A=E77646) (B=E56445)									
78	2	129155-51790	STOOPER, RACK	1	1						
79	2	129156-51910	LABEL, CAUTION	1	1						
80	2	129155-51930	SPACER, T=3.25	1	1						
81	2	129155-51940	SPACER, T=1.5	1	1						
82	2	22217-050000	WASHER, SPRING 5	2	2						
83	2	22217-060000	WASHER, SPRING 6	2	2						
84	2	22351-050010	PIN, SPRING 5.0X10	2	2						
85	2	24101-063034	BEARING, BALL 6303	1	1						
86	2	24341-000160	O-RING, 1AS16.0	1	1						
87	2	26022-050102	SCREW, M5X10	8	8						
87-1	2	26022-050122	SCREW, M5X12	8	8						N
		(A=E56036) (B=E33324)									
88	2	26022-060162	SCREW, M6X16	4	4						
89	2	26116-050302	BOLT, M5X 30 PLATED	2	2						
90	2	26716-060002	NUT, M6	2	2						
91	2	22190-160002	WASHER, SEAL 16	1	1						
92	2	129155-51020	STUD	2	2						
96	2	129155-52050	GASKET	1	1						
96-1	2	129155-52051	GASKET	1	1						N
		(A=E77646) (B=E56445)									
97	2	129100-52100	PUMP ASSY, FUEL FEED	1	1						
97-1	2	129100-52101	PUMP ASSY, FUEL FEED	1	1						N
		(A=E75323) (B=E52997)									

Fig.14. GOVERNOR



Remarks

(1) SELECTIVE PARTS: CERTAIN THE CLASSIFICATION MARK, THEN PLACE YOUR ORDER. (REF. TO ILLUSTRATION)

(2) SELECTIVE PART.

\* THIS FIGURE(GOVERNOR ASSY) IS INCORPORATED IN THE FUEL INJECTION PUMP ASSY(FIG.13).

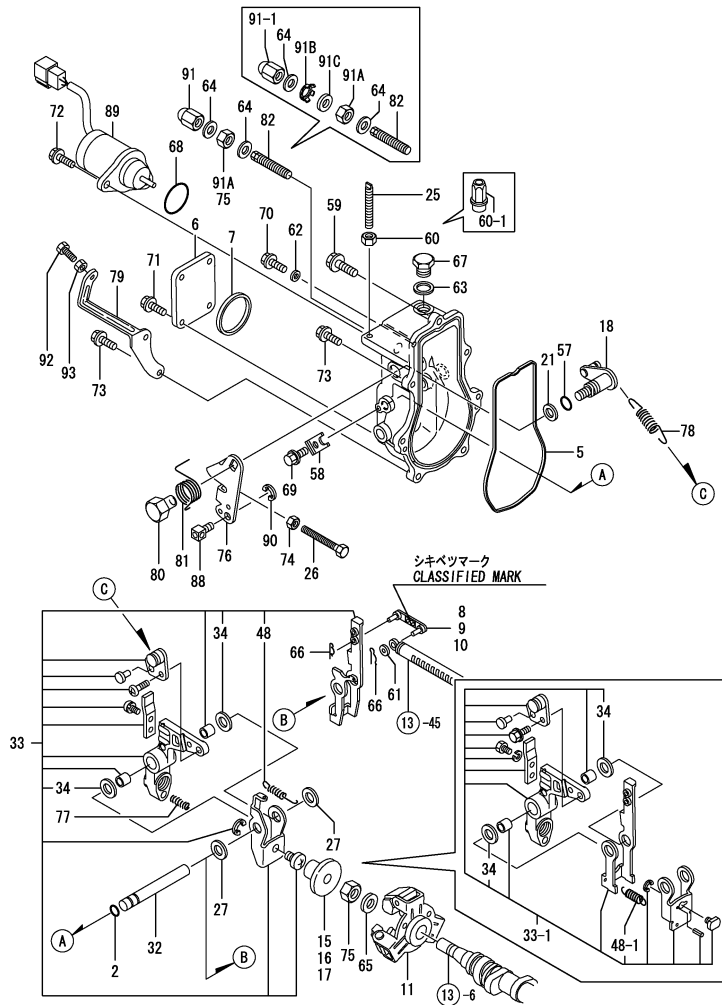
(REMARKS)"EFFECTIVE MACHINE NO." OF ENGINE IS INDICATED ON THE ENGINE LABEL WHICH IS SHOWN IN FIG.4.

(A)=3TNE84-RSR  
(B)=3TNE88-RSR  
(C)=

(D)=  
(E)=  
(F)=

No.	Lev.	Parts No.	Description	Q'ty						I	R
				(A)	(B)	(C)	(D)	(E)	(F)		
2	2	129155-51280	O-RING, S6	1	1						
5	2	129052-61050	GASKET	1	1						
5-1	2	129052-61051	GASKET	1	1						N
6	2	129052-61060	COVER, GOVERNOR CASE	1	1						
7	2	129052-61070	GASKET	1	1						
7-1	2	129052-61071	GASKET	1	1						N
8	2	129155-61120	LINK, L=30 MARK 0	1	1						1
9	2	129155-61130	LINK, L=31 MARK 1	1	1						1
10	2	129155-61140	LINK, L=30.5 MARK 05	1	1						1
11	2	129155-61201	WEIGHT ASSY,GOVERNOR	1	1						
11-1	2	129155-61202	WEIGHT ASSY,GOVERNOR	1	1						R
15	2	129155-61341	SLEEVE	1	1						2
16	2	129155-61350	SLEEVE, L=24.9	1	1						2
17	2	129155-61360	SLEEVE, L=25.2	1	1						2
18	2	129100-61400	SHAFT ASSY	1	1						
21	2	129155-61430	SPACER	1	1						
25	2	129155-61450	BOLT, LIMITER	1	1						
26	2	129155-61460	BOLT, IDLE	1	1						
27	2	129155-61480	SPACER ASSY	2	2						
32	2	129052-61390	SHAFT	1	1						
33	2	129052-61500	LEVER ASSY, GOVERNOR	1	1						
33-1	2	119908-61501	LEVER ASSY, GOVERNOR	1	1						R
34	3	174307-51700	SHIM SET	2	2						
48	3	129052-61540	SPRING, SET	1	1						
48-1	3	129486-61540	SPRING, SET	1	1						S
57	2	129155-61830	O-RING, S10	1	1						
58	2	119660-61901	RETAINER, SHAFT	1	1						
59	2	129155-61950	BOLT	1	1						
60	2	124550-66370	NUT, M6	1	1						
60-1	2	129209-61370	NUT, M6	1	1						N
61	2	22117-040000	WASHER, 4	1	1						
62	2	22190-060002	WASHER, SEAL 6	1	1						
62-1	2	22190-060003	SEAL WASER 6	1	1						N
63	2	22190-100002	WASHER, SEAL 10	1	1						
64	2	22190-120002	WASHER, SEAL 12	2	2						
65	2	22287-120000	WASHER, 12	1	1						
66	2	22372-040000	PIN, SNAP 4	2	2						
67	2	23887-100002	PLUG, 10	1	1						
68	2	24341-000280	O-RING, 1AS28.0	1	1						
68-1	2	158552-61900	O-RING	1	1						N
69	2	26106-060102	BOLT, M6X 10 PLATED	1	1						
70	2	26106-060102	BOLT, M6X 10 PLATED	1	1						
71	2	26106-060102	BOLT, M6X 10 PLATED	4	4						

Fig.14. GOVERNOR



(A)=3TNE84-RSR  
(B)=3TNE88-RSR  
(C)=

(D)=  
(E)=  
(F)=

No.	Lev.	Parts No.	Description	Q'ty						I	R
				(A)	(B)	(C)	(D)	(E)	(F)		
72	2	26106-060142	BOLT, M6X 14 PLATED	2	2						
73	2	26106-060202	BOLT, M6X 20 PLATED	6	6						
74	2	26756-060002	NUT, LOCK M6	1	1						
75	2	26776-120002	NUT, LOCK M12	2	2						
75-1	2	26776-120002	NUT, LOCK M12	1	1						K
		(A=E65490) (B=E42934)									
76	2	129100-61440	LEVER, CONTROL	1	1						
77	2	129100-61650	SPRING, CONTROLLER	1	1						
78	2	171353-61710	SPRING, GOVERNOR	1	1						
79	2	129255-61080	SUPPORT, WIRE	1	1						
80	2	129255-61410	NUT, LOCK	1	1						
81	2	129255-61420	SPRING, RETURN	1	1						
82	2	129051-61450	LIMITER ASSY, FUEL	1	1						
88	2	124066-03770	RETAINER	1	1						
89	2	119653-77950	SOLENOID, STOP	1	1						
90	2	22272-000050	RING, E- 5	1	1						
91	2	26687-120002	NUT, CAP M12	1	1						
91-1	2	129209-61930	NUT, CAP	1							N
		(A=E70444)									
91A	2	26736-120002	NUT, M12	1	1						W
		(A=E65490) (B=E42934)									
91B	2	129209-61970	PLATE	1							W
		(A=E70444)									
91C	2	23414-120016	GASKET, 12X1.0	1							W
		(A=E70444)									
92	1	102100-67080	BOLT, ADJUSTING	1	1						
93	1	26756-060002	NUT, LOCK M6	1	1						

Remarks

(1) SELECTIVE PARTS: CERTAIN THE CLASSIFICATION MARK, THEN PLACE YOUR ORDER.(REF. TO ILLUSTRATION)

(2) SELECTIVE PART.

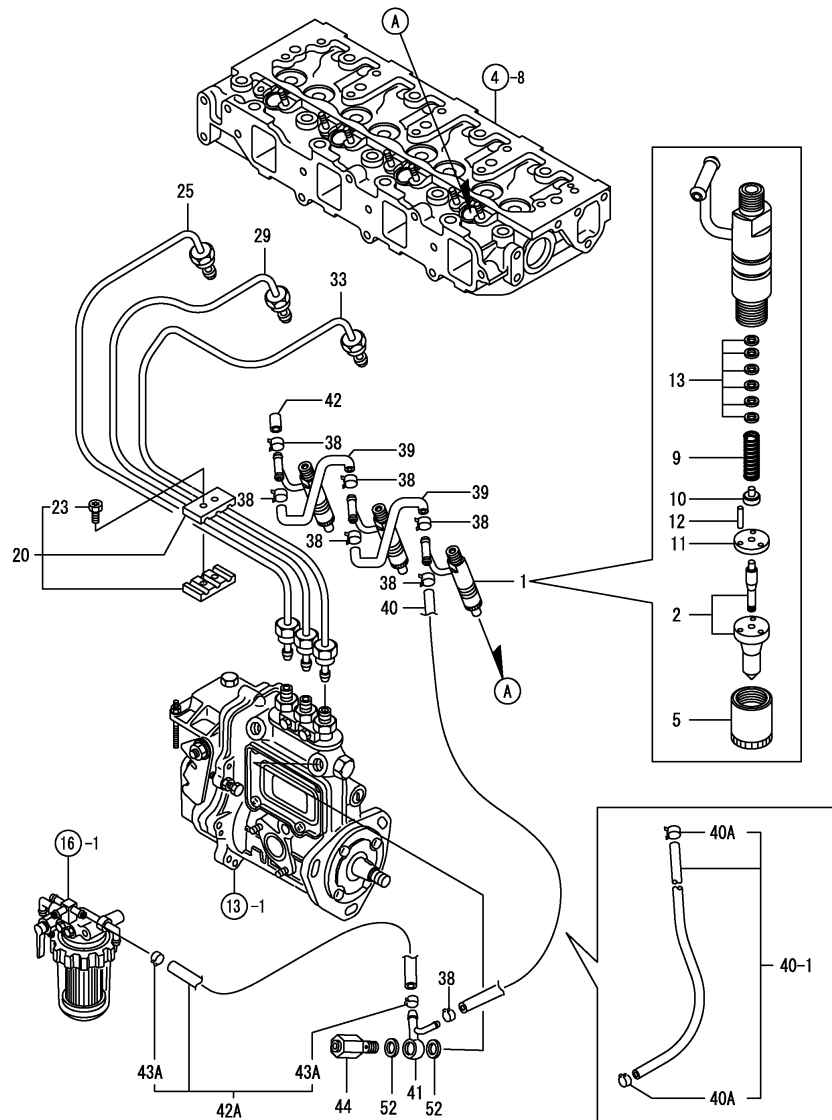
\* THIS FIGURE(GOVERNOR ASSY) IS INCORPORATED IN THE FUEL INJECTION PUMP ASSY(FIG.13).

(REMARKS)"EFFECTIVE MACHINE NO." OF ENGINE IS INDICATED ON THE ENGINE LABEL WHICH IS SHOWN IN FIG.4.

# Fig.15. FUEL INJECTION VALVE

(A)=3TNE84-RSR  
(B)=3TNE88-RSR  
(C)=

(D)=  
(E)=  
(F)=



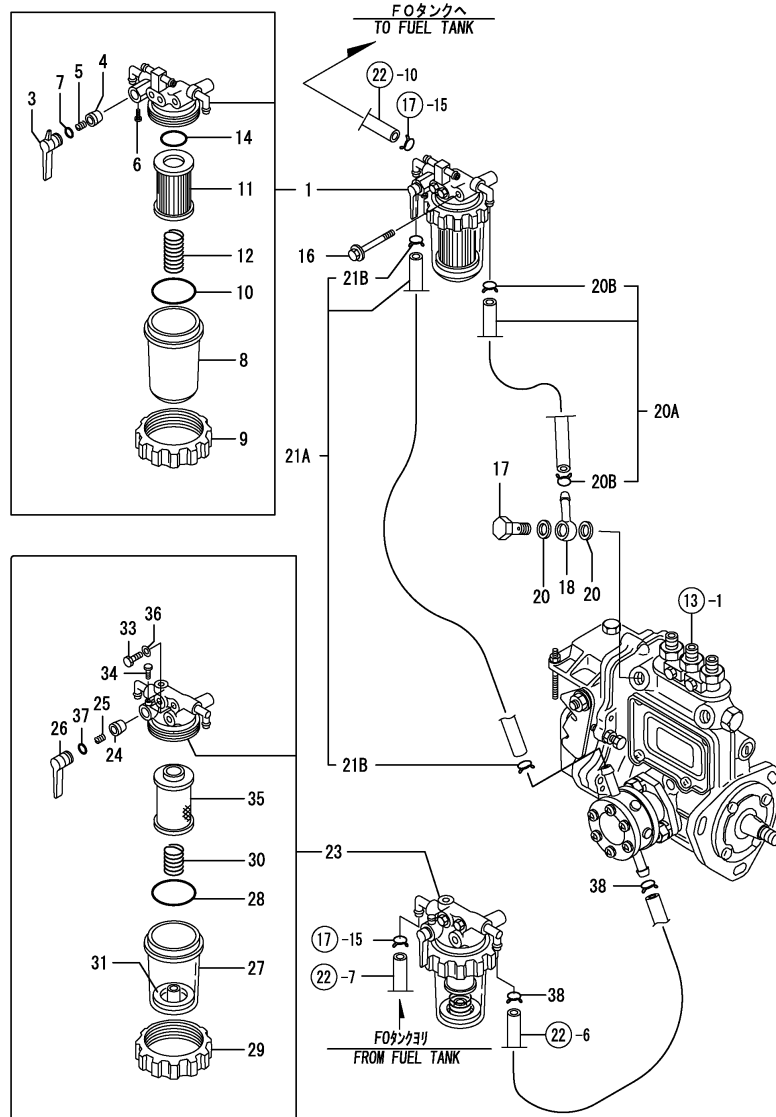
No.	Lev.	Parts No.	Description	Q'ty						I	R
				(A)	(B)	(C)	(D)	(E)	(F)		
1	1	729503-53100	VALVE ASSY,INJECTION	3	3						
2	2	129503-53000	VALVE ASSY,INJECTION	3	3						
5	2	114250-53080	NUT, NOZZLE D16.95	3	3						
9	2	114250-53120	SPRING, NOZZLE	3	3						
10	2	114250-53130	SEAT, SPRING	3	3						
11	2	114250-53140	PLATE	3	3						
12	2	114250-53210	PIN	6	6						
13	2	114250-53400	SHIM SET	3	3						
20	1	119305-59120	RETAINER, PIPE	2	2						
23	2	129150-59131	BOLT, M4X14	2	2						
25	1	129001-59811	PIPE ASSY, INJECTION	1	1						
25-1	1	129052-59710	PIPE ASSY, INJECTION	1	1						R
		(A=E42396) (B=E20156)									
25-2	1	129052-59711	PIPE ASSY, INJECTION	1	1						N
		(A=E56036) (B=E33324)									
29	1	129001-59821	PIPE ASSY, INJECTION	1	1						
29-1	1	129052-59720	PIPE ASSY, INJECTION	1	1						R
		(A=E42396) (B=E20156)									
33	1	129001-59831	PIPE ASSY, INJECTION	1	1						
33-1	1	129052-59730	PIPE ASSY, INJECTION	1	1						R
		(A=E42396) (B=E20156)									
38	1	124066-59100	CLIP, HOSE 8	7	7						
38-1	1	124066-59100	CLIP, HOSE 8	5	5						K
		(A=EXXX) (B=EXXX)									
39	1	121250-59550	PIPE, FUEL D8X120	2	2						
40	1	119840-59560	PIPE, FUEL RETURN	1	1						
40-1	1	119840-59500	PIPE ASSY, RETURN	1	1						N
		(A=EXXX) (B=EXXX)									
40A	2	124066-59100	CLIP, HOSE 8	2	2						W
		(A=EXXX) (B=EXXX)									
41	1	119840-59570	JOINT	1	1						
42	1	129150-59580	CAP	1	1						
42A	1	129210-59130	PIPE ASSY, FUEL	1	1						W
		(A=E42396) (B=E18720)									
43A	2	124766-59050	CLIP, HOSE 12	2	2						W
		(A=E42396) (B=E18720)									
44	1	129100-59951	VALVE ASSY, CHECK	1	1						
44-1	1	119813-59950	VALVE ASSY, CHECK	1	1						N
		(A=E77646) (B=E56445)									
52	1	23414-120000	GASKET, 12X1.0	2	2						
52-1	1	22190-120002	WASHER, SEAL 12	2	2						N
		(A=E58132) (B=E36483)									

Remarks  
(REMARKS)"EFFECTIVE MACHINE NO." OF  
ENGINE IS INDICATED ON THE  
ENGINE LABEL WHICH IS SHOWN  
IN FIG.4.

Fig.16. FUEL FILTER

(A)=3TNE84-RSR  
(B)=3TNE88-RSR  
(C)=

(D)=  
(E)=  
(F)=

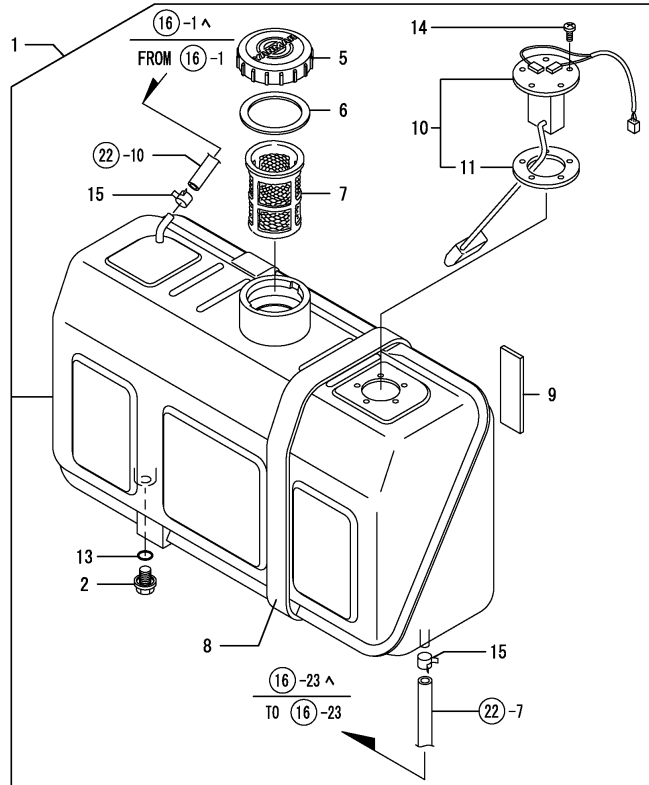


No.	Lev.	Parts No.	Description	Q'ty						I	R
				(A)	(B)	(C)	(D)	(E)	(F)		
1	1	129052-55620	FILTER ASSY, FUEL	1	1						
3	2	129100-55670	LEVER	1	1						
4	2	104200-55321	VALVE, TAPER	1	1						
5	2	104200-55330	SPRING, VALVE	1	1						
6	2	104200-55750	SCREW, M4	1	1						
7	2	24311-240100	O-RING, 1AP10A	1	1						
8	2	129100-55680	CUP, STRAINER	1	1						
9	2	129100-55690	RING, RETAINING	1	1						
10	2	24321-000650	O-RING, 1AG65.0	1	1						
11	2	129100-55650	ELEMENT	1	1						
12	2	129100-55700	SPRING	1	1						
14	2	24311-000160	O-RING, 1AP16.0	1	1						
16	1	26014-080702	BOLT, M8X 70	1	1						
17	1	103854-39140	BOLT, PIPE JOINT	1	1						
18	1	101304-59020	JOINT, PIPE 12	1	1						
20	1	104200-59170	GASKET, 12	2	2						
20-1	1	22190-120002	WASHER, SEAL 12	2	2						N
		(A=E15998) (B=E05344)									
20A	1	129210-59040	PIPE ASSY, FUEL	1	1						W
		(A=E42396) (B=E18720)									
20B	2	124766-59050	CLIP, HOSE 12	2	2						W
		(A=E42396) (B=E18720)									
21A	1	129210-59150	PIPE ASSY, FUEL	1	1						W
		(A=E42396) (B=E18720)									
21B	2	124766-59050	CLIP, HOSE 12	2	2						W
		(A=E42396) (B=E18720)									
23	1	129335-55700	SEPARATOR ASSY, WATER	1	1						
24	2	104200-55321	VALVE, TAPER	1	1						
25	2	104200-55330	SPRING, VALVE	1	1						
26	2	104200-55341	HANDLE	1	1						
27	2	124064-55510	COVER	1	1						
28	2	102103-55520	O-RING	1	1						
29	2	110250-55610	RING, RETAINING	1	1						
30	2	121257-55720	SPRING	1	1						
31	2	121257-55731	FLOAT	1	1						
33	2	101720-55750	PLUG, 6	2	2						
34	2	104200-55750	SCREW, M4	1	1						
35	2	171081-55910	SCREEN	1	1						
36	2	23418-060000	GASKET, 6X1.0	2	2						
37	2	24311-240100	O-RING, 1AP10A	1	1						
38	1	23000-013000	CLAMP, 13	2	2						

Remarks  
(REMARKS)"EFFECTIVE MACHINE NO." OF  
ENGINE IS INDICATED ON THE  
ENGINE LABEL WHICH IS SHOWN  
IN FIG.4.



# Fig.17. FUEL TANK



(A)=3TNE84-RSR  
(B)=3TNE88-RSR  
(C)=

(D)=  
(E)=  
(F)=

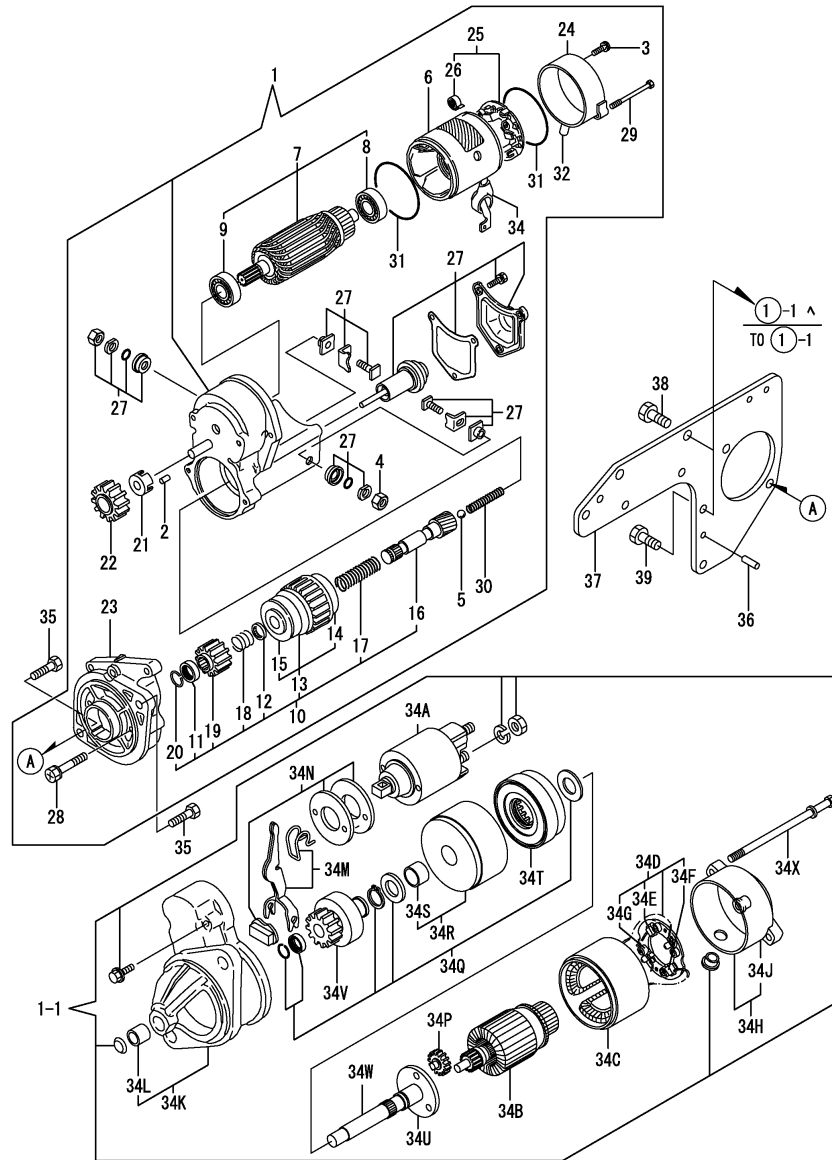
No.	Lev.	Parts No.	Description	Q'ty						I	R
				(A)	(B)	(C)	(D)	(E)	(F)		
1	1	129065-55010	TANK ASSY, FUEL	1	1						
2	2	124060-01640	PLUG, M12	1	1						
5	2	105302-55040	CAP, FUEL TANK	1	1						
6	2	101504-55051	GASKET	1	1						
7	2	101504-55101	STRAINER, FUEL	1	1						
8	2	121400-55830	SEAT, RUBBER	2	2						
9	2	121400-55870	FELT, FUEL TANK	2	2						
10	2	198290-56600	GAUGE ASSY, FUEL	1	1						
11	3	194420-56620	GASKET	1	1						
13	2	24311-000140	O-RING, 1AP14.0	1	1						
14	2	26557-050122	SCREW, M5X12	5	5						
15	1	23000-013000	CLAMP, 13	4	4						

Remarks  
(REMARKS)"EFFECTIVE MACHINE NO." OF  
ENGINE IS INDICATED ON THE  
ENGINE LABEL WHICH IS SHOWN  
IN FIG.4.

Fig.18. STARTING MOTOR

(A)=3TNE84-RSR  
(B)=3TNE88-RSR  
(C)=

(D)=  
(E)=  
(F)=



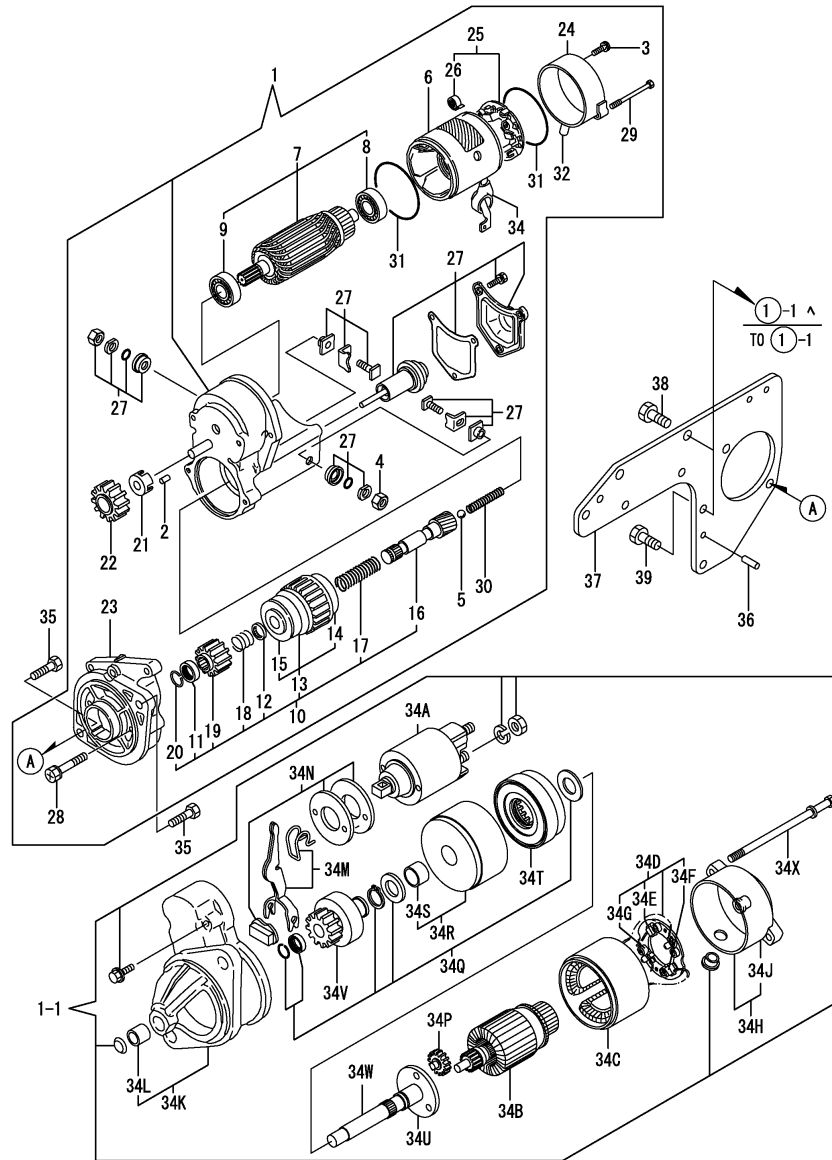
No.	Lev.	Parts No.	Description	Q'ty						I	R
				(A)	(B)	(C)	(D)	(E)	(F)		
1	1	129407-77010	STARTER, RA1.4	1	1						
1-1	1	129608-77010	STARTER, S114-817A	1	1						N
		(A=E34086) (B=E14707)									
2	2	X0283060061	ROLLER	5	5						Z
		(A=E34086) (B=E14707)									
3	2	X0289030010	SCREW	2	2						Z
		(A=E34086) (B=E14707)									
4	2	X9490561370	NUT	1	1						Z
		(A=E34086) (B=E14707)									
5	2	X9491200240	BALL	1	1						Z
		(A=E34086) (B=E14707)									
6	2	129407-77210	YOKE ASSY	1	1						Z
		(A=E34086) (B=E14707)									
7	2	129407-77220	ARMATURE ASSY	1	1						Z
		(A=E34086) (B=E14707)									
8	3	129129-77230	BEARING	1	1						Z
		(A=E34086) (B=E14707)									
9	3	129129-77240	BEARING	1	1						Z
		(A=E34086) (B=E14707)									
10	2	129407-77250	STARTER	1	1						Z
		(A=E34086) (B=E14707)									
11	3	X0280210230	NUT	1	1						Z
		(A=E34086) (B=E14707)									
12	3	X0283270140	RETAINER	1	1						Z
		(A=E34086) (B=E14707)									
13	3	129407-77390	CLUTCH ASSY	1	1						Z
		(A=E34086) (B=E14707)									
14	4	129129-77440	BEARING, BALL	1	1						Z
		(A=E34086) (B=E14707)									
15	4	129129-77450	BEARING, BALL	1	1						Z
		(A=E34086) (B=E14707)									
16	3	129129-77400	SHAFT	1	1						Z
		(A=E34086) (B=E14707)									
17	3	129129-77410	SPRING, COIL	1	1						Z
		(A=E34086) (B=E14707)									
18	3	129407-77410	SPRING	1	1						Z
		(A=E34086) (B=E14707)									
19	3	129129-77420	PINION, STARTER	1	1						Z
		(A=E34086) (B=E14707)									
20	3	129129-77430	RING	1	1						Z
		(A=E34086) (B=E14707)									
21	2	129129-77260	RETAINER	1	1						Z
		(A=E34086) (B=E14707)									
22	2	129129-77270	PINION	1	1						Z
		(A=E34086) (B=E14707)									
23	2	129407-77280	HOUSING	1	1						Z
		(A=E34086) (B=E14707)									
24	2	129129-77290	FRAME	1	1						Z
		(A=E34086) (B=E14707)									
25	2	129407-77300	HOLDER ASSY	1	1						Z
		(A=E34086) (B=E14707)									

Remarks  
(REMARKS)"EFFECTIVE MACHINE NO." OF  
ENGINE IS INDICATED ON THE  
ENGINE LABEL WHICH IS SHOWN  
IN FIG.4.

Fig.18. STARTING MOTOR

(A)=3TNE84-RSR  
(B)=3TNE88-RSR  
(C)=

(D)=  
(E)=  
(F)=



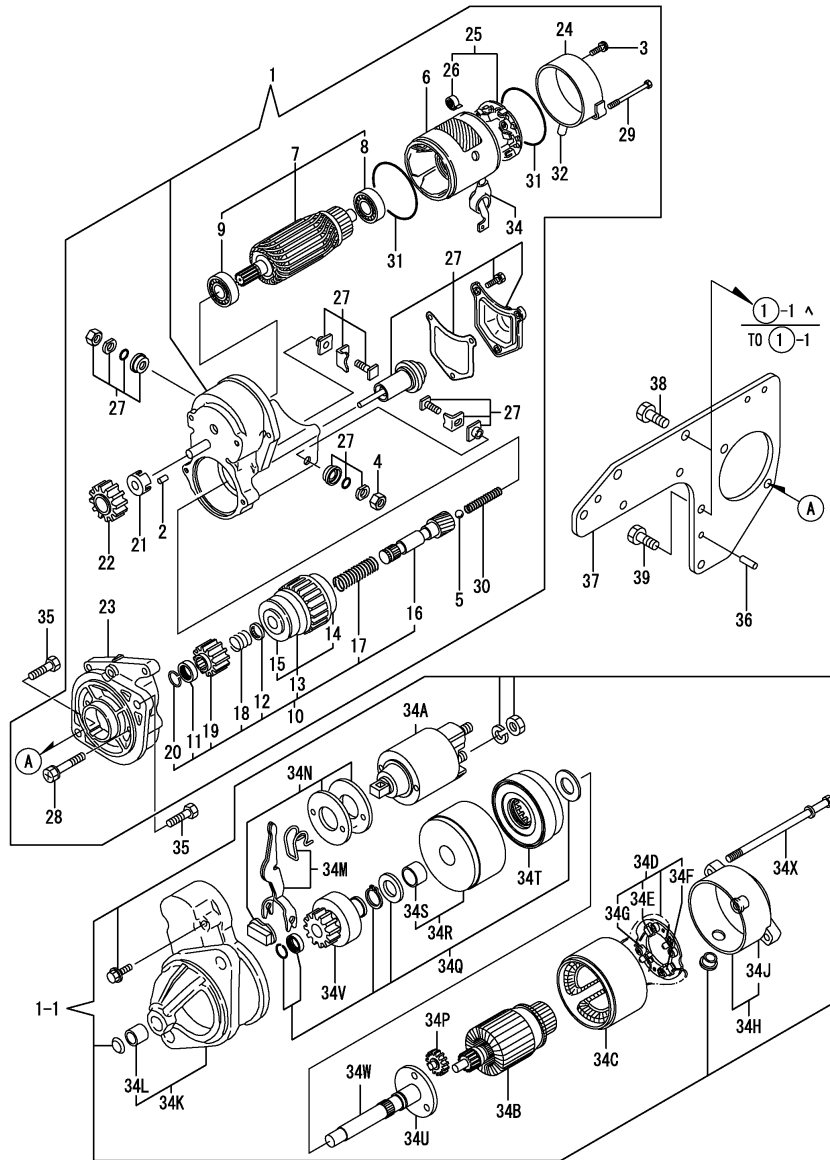
No.	Lev.	Parts No.	Description	Q'ty						I	R
				(A)	(B)	(C)	(D)	(E)	(F)		
26	3	X9491730461 (A=E34086) (B=E14707)	SPRING	4	4						Z
27	2	129407-77310 (A=E34086) (B=E14707)	SWITCH ASSY	1	1						Z
28	2	129129-77320 (A=E34086) (B=E14707)	BOLT	2	2						Z
29	2	129407-77330 (A=E34086) (B=E14707)	BOLT	2	2						Z
30	2	129129-77340 (A=E34086) (B=E14707)	SPRING	1	1						Z
31	2	129129-77350 (A=E34086) (B=E14707)	O-RING	2	2						Z
32	2	129129-77361	BUSH	1	1						
32-1	2	129129-77362 (A=E34086) (B=E14707)	COVER	1	1						R
32-2	2	129129-77362 (A=E34086) (B=E14707)	COVER	1	1						Z
34	2	129129-77380 (A=E34086) (B=E14707)	CAP	1	1						Z
34A	2	124298-77020 (A=E34086) (B=E14707)	SWITCH, MAGNETIC	1	1						W
34A-1	2	129698-77020 (A=E34086) (B=E14707)	SWITCH ASSY	1	1						R
34B	2	129698-77100 (A=E34086) (B=E14707)	ARMATURE ASSY	1	1						W
34B-1	2	129698-77101 (A=E60611) (B=E37095)	ARMATURE ASSY	1	1						N
34C	2	129608-77110 (A=E34086) (B=E14707)	YOKE ASSY	1	1						W
34D	2	129698-77120 (A=E34086) (B=E14707)	HOLDER ASSY, BRUSH	1	1						W
34E	3	129698-77140 (A=E34086) (B=E14707)	BRUSH SET	1	1						W
34F	3	129698-77130 (A=E34086) (B=E14707)	BRUSH	2	2						W
34G	3	129698-77150 (A=E34086) (B=E14707)	SPRING, BRUSH	4	4						W
34H	2	129698-77160 (A=E34086) (B=E14707)	COVER ASSY	1	1						W
34H-1	2	129698-77161 (A=E58132) (B=E36483)	COVER ASSY	1	1						R
34J	3	129698-77170 (A=E34086) (B=E14707)	BEARING	1	1						W
34K	2	129698-77260 (A=E34086) (B=E14707)	CASE ASSY	1	1						W
34L	3	X2114535200 (A=E34086) (B=E14707)	METAL, STARTER	1	1						W
34M	2	129698-77270 (A=E34086) (B=E14707)	LEVER SET, SHIFT	1	1						W
34N	2	129698-77280 (A=E34086) (B=E14707)	COVER KIT	1	1						W

Remarks  
(REMARKS)"EFFECTIVE MACHINE NO." OF  
ENGINE IS INDICATED ON THE  
ENGINE LABEL WHICH IS SHOWN  
IN FIG.4.

Fig.18. STARTING MOTOR

(A)=3TNE84-RSR  
(B)=3TNE88-RSR  
(C)=

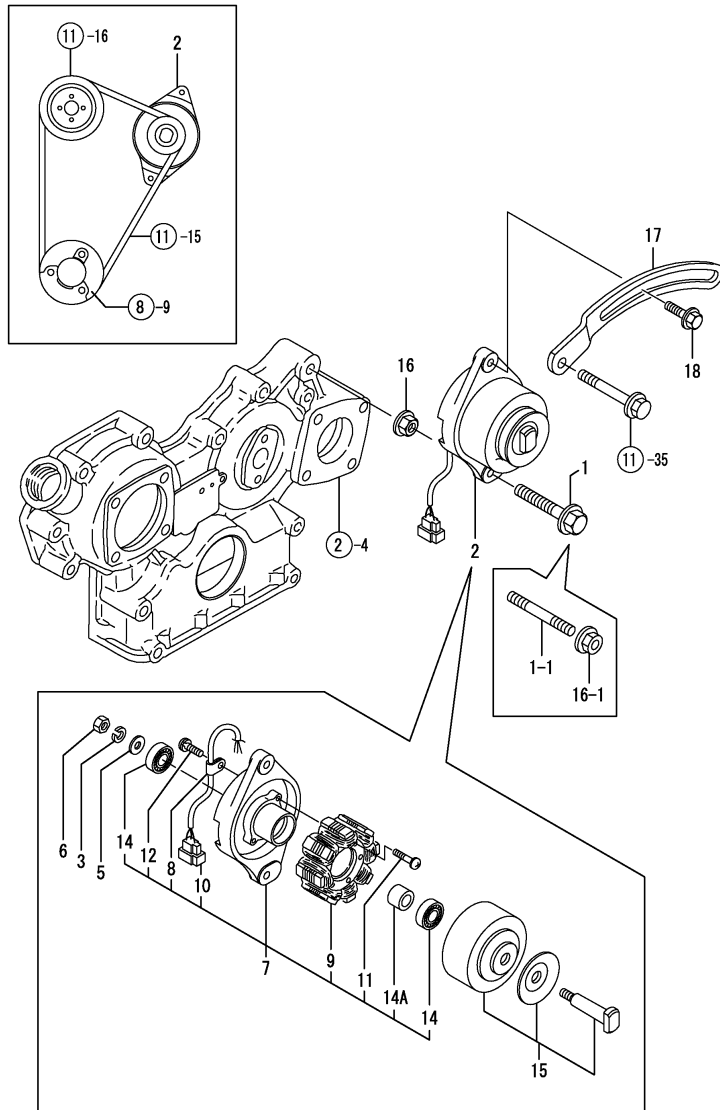
(D)=  
(E)=  
(F)=



No.	Lev.	Parts No.	Description	Q'ty						I	R
				(A)	(B)	(C)	(D)	(E)	(F)		
34P	2	129698-77240 (A=E34086) (B=E14707)	GEAR	3	3						W
34Q	2	129698-77250 (A=E34086) (B=E14707)	WASHER SET	1	1						W
34R	2	129698-77180 (A=E34086) (B=E14707)	BRACKET	1	1						W
34S	3	129698-77190 (A=E34086) (B=E14707)	BRACKET	1	1						W
34T	2	129698-77200 (A=E34086) (B=E14707)	GEAR, INTERNAL	1	1						W
34U	2	129698-77210 (A=E34086) (B=E14707)	BRACKET	1	1						W
34V	2	129698-77220 (A=E34086) (B=E14707)	PINION ASSY	1	1						W
34W	2	129698-77230 (A=E34086) (B=E14707)	SHAFT	1	1						W
34X	2	124195-77770 (A=E34086) (B=E14707)	BOLT, THROUGH	2	2						W
35	1	26116-120252	BOLT, M12X 25 PLATED	2	2						
36	1	129100-01580	PIN, M8X16	1	1						
37	1	129065-77040	BRACKET, STARTER	1	1						
38	1	26116-120202	BOLT, M12X 20 PLATED	2	2						
39	1	26206-100202	BOLT, M10X 20 PLATED	4	4						

Remarks  
(REMARKS)"EFFECTIVE MACHINE NO." OF  
ENGINE IS INDICATED ON THE  
ENGINE LABEL WHICH IS SHOWN  
IN FIG.4.

Fig.19. GENERATOR



(A)=3TNE84-RSR  
(B)=3TNE88-RSR  
(C)=

(D)=  
(E)=  
(F)=

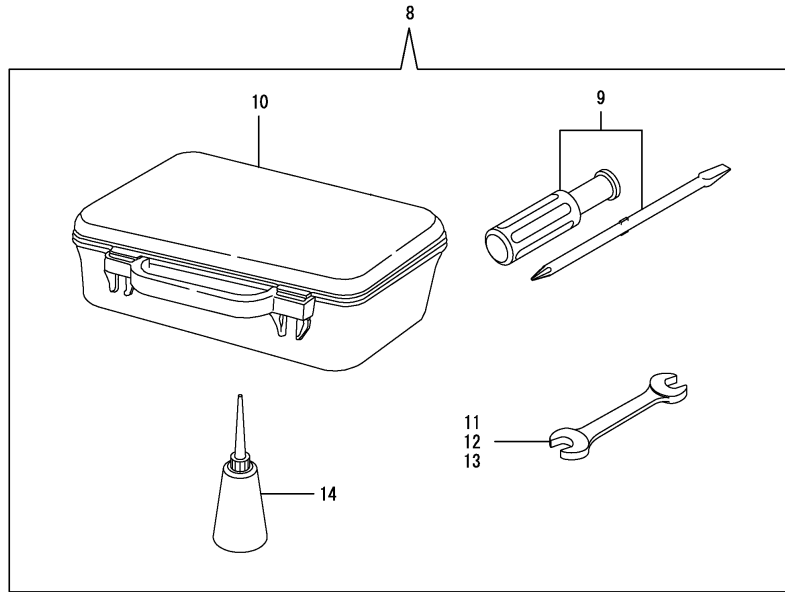
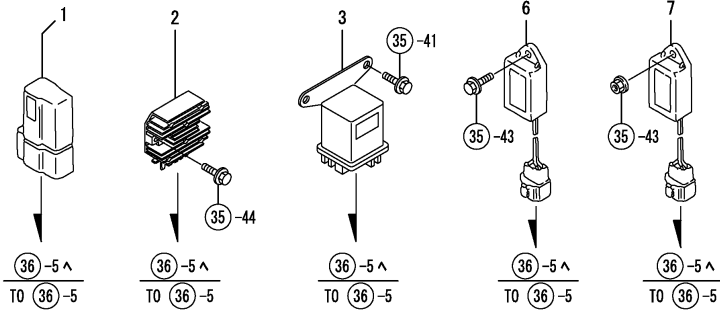
No.	Lev.	Parts No.	Description	Q'ty						I	R
				(A)	(B)	(C)	(D)	(E)	(F)		
1	1	26106-100652	BOLT, M10X 65 PLATED	1	1						
1-1	1	129795-01900	STUD	1	1						N
		(A=EXXX) (B=EXXX)									
2	1	129150-77202	GENERATOR	1	1						
2-1	1	129150-77203	DINAMO ASSY	1	1						N
		(A=EXXXXX) (B=EXXXXX)									
3	2	XM219230000	WASHER	1	1						
5	2	XM860250000	WASHER	1	1						
6	2	XM863720000	NUT	1	1						
7	2	129150-77210	PLATE ASSY	1	1						
8	3	XM069000000	CLAMP	1	1						
9	3	XM081780000	STATOR	1	1						
10	3	XM178780000	COUPLER	1	1						
10-1	3	XM771860000	COUPLER	1	1						N
		(A=EXXX) (B=EXXX)									
11	3	XYSPS400800	SCREW	1	1						
12	3	XYSPS402400	SCREW	2	2						
14	3	24107-062010	BEARING, 6201ZZC3	2	2						
14-1	3	24104-062010	BEARING, 6201UUC3	2	2						R
		(A=E65490) (B=E42934)									
14A	3	XM329830000	COLLAR	1	1						W
		(A=EXXX) (B=EXXX)									
15	2	129150-77230	FLYWHEEL ASSY	1	1						
15-1	2	X3A08863KA	FLYWHEEL ASSY	1	1						N
		(A=EXXX) (B=EXXX)									
15-2	2	129150-77280	FLYWHEEL ASSY	1	1						N
		(A=EXXXXX) (B=EXXXXX)									
16	1	26366-100002	NUT, M10	2	2						
16-1	1	26366-100002	NUT, M10	1	1						K
		(A=EXXX) (B=EXXX)									
16-2	1	26306-100002	NUT, M10	1	1						N
		(A=EXXX) (B=EXXX)									
17	1	129410-77330	ADJUSTER	1	1						
18	1	26014-080252	BOLT, M8X 25	1	1						
18-1	1	119810-77340	BOLT, ADJUSTER	1	1						N
		(A=E37487) (B=E18720)									

Remarks  
(REMARKS)"EFFECTIVE MACHINE NO." OF  
ENGINE IS INDICATED ON THE  
ENGINE LABEL WHICH IS SHOWN  
IN FIG.4.

Fig.20. ELECTRICAL PARTS

(A)=3TNE84-RSR  
 (B)=3TNE88-RSR  
 (C)=

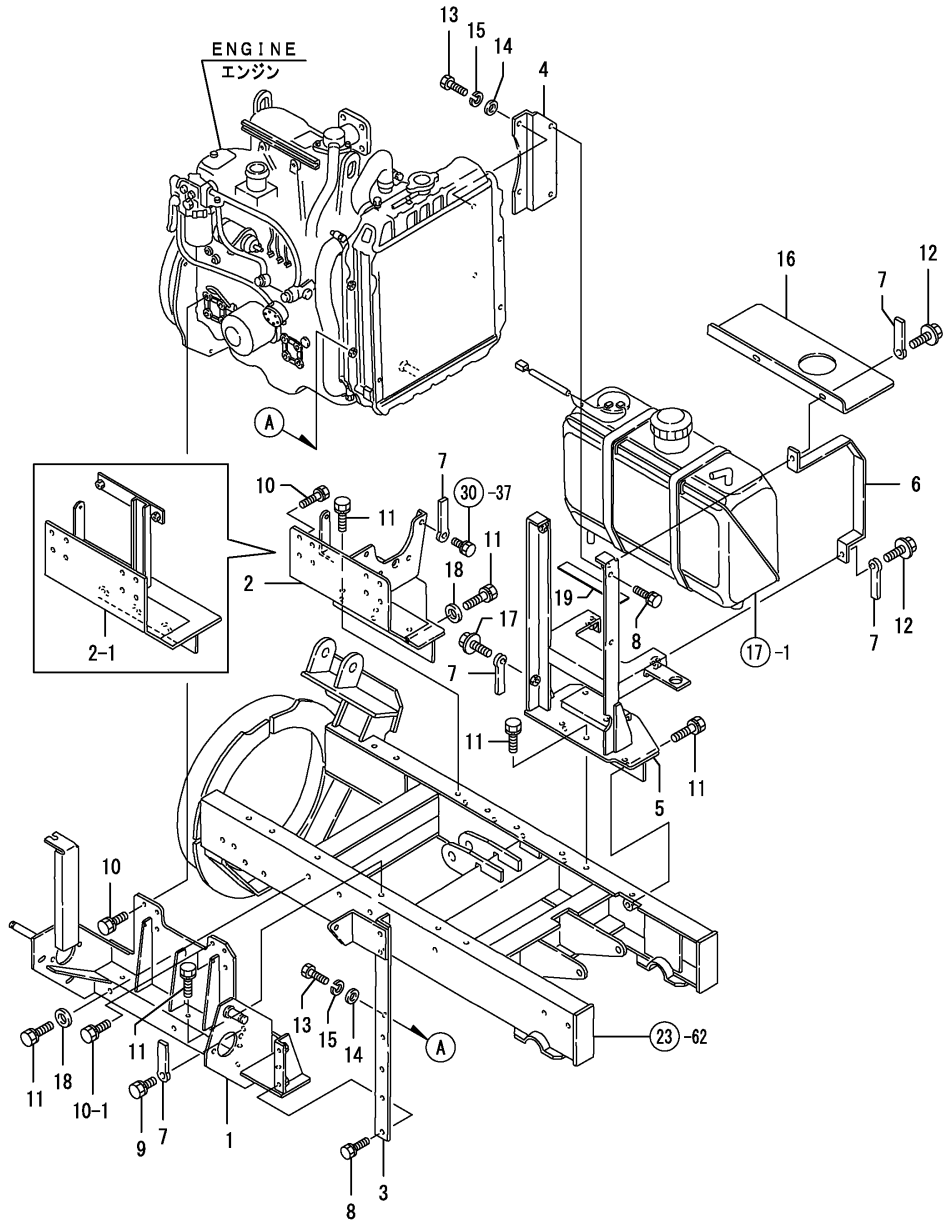
(D)=  
 (E)=  
 (F)=



No.	Lev.	Parts No.	Description	Qty						I	R
				(A)	(B)	(C)	(D)	(E)	(F)		
1	1	119643-66900	DIODE	1	1						
2	1	129150-77710	LIMITER, CURRENT 20A	1	1						
2-1	1	119666-77710	LIMITER, CURRENT 20A	1	1						R
3	1	119650-77910	RELAY ASSY, GLOW	1	1						
6	1	119632-77920	TIMER	1	1						
6-1	1	119632-77922	TIMER	1	1						N
6-2	1	129211-77920	TIMER	1	1						N
7	1	128300-77920	TIMER	1	1						
8	1	171001-93100	BOX, TOOL	1	1						
8-1	1	721400-92102	BOX ASSY, TOOL	1	1						R
9	2	104200-92350	DRIVER, SCREW	1	1						
10	2	104200-92600	BOX, TOOL	1	1						
11	2	28110-100120	SPANNER, 10X12	1	1						
12	2	28110-140170	SPANNER, 14X17	1	1						
13	2	28110-190220	SPANNER, 19X22	1	1						
14	2	28210-000140	OILER	1	1						

Remarks  
 (REMARKS)"EFFECTIVE MACHINE NO." OF  
 ENGINE IS INDICATED ON THE  
 ENGINE LABEL WHICH IS SHOWN  
 IN FIG.4.

Fig.21. ENGINE MOUNTING



(A)=YSR3120  
(B)=YSR3120A  
(C)=YSR3420A

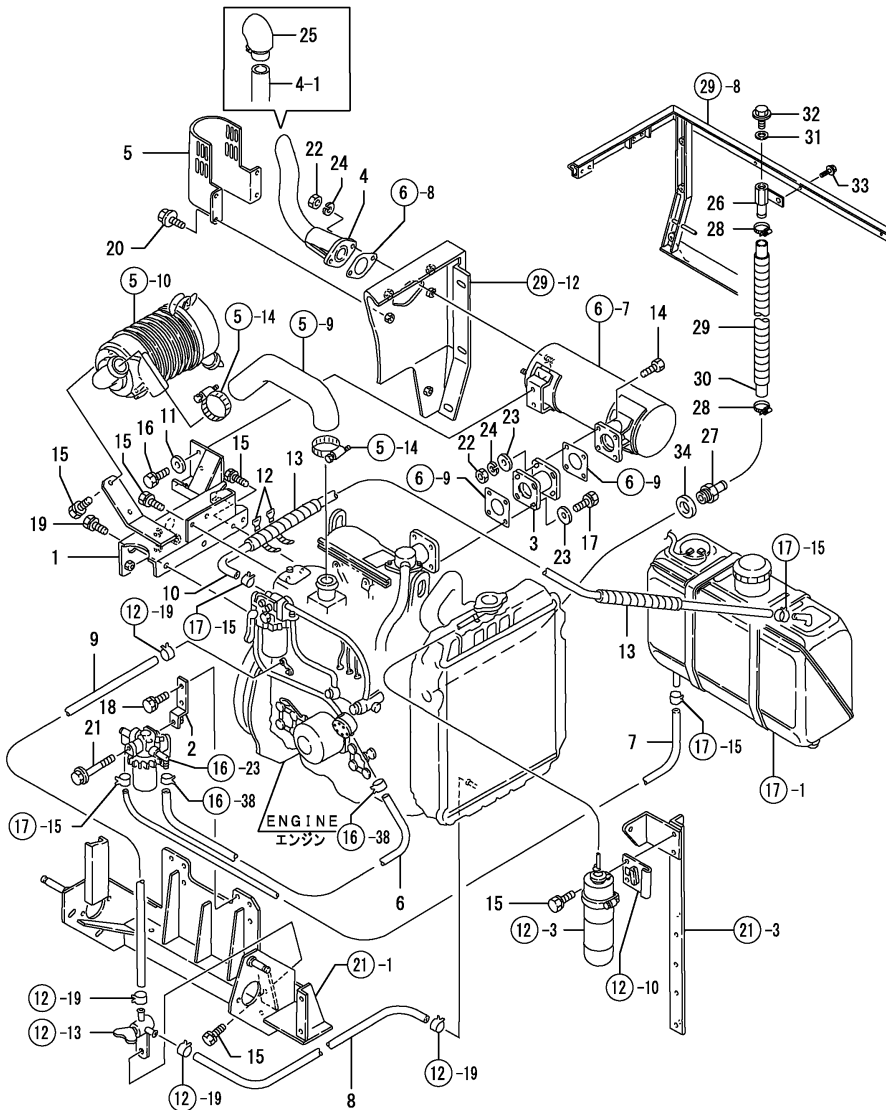
(D)=  
(E)=  
(F)=

No.	Lev.	Parts No.	Description	Q'ty						I	R
				(A)	(B)	(C)	(D)	(E)	(F)		
1	1	1N3240-21000	BASE (L)ASSY, ENGINE	1	1	1					
2	1	1N3240-22000	BASE (R)	1	1	1					
2-1	1	1N3240-22001	BASE (R)	1	1	1					S
3	1	(A=F603540) 1N3240-23000	STAY L CMP.,RADIATOR	1	1	1					
4	1	(B=F603570) 1N3240-24000	STAY R CMP.,RADIATOR	1	1	1					
5	1	(C=F603590) 1N3240-25000	CAP COMPL.,MUFFLER	1	1	1					
6	1	1N3240-29020	TANK BAND	2	2	2					
7	1	1N1600-75140	CLAMP 10X110,CORD	5	5	5					
8	1	1N1600-74520	BOLT 8X20 W/SP.WSHR.	4	4	4					
8-1	1	26106-080202	BOLT, M8X 20 PLATED	4	4	4					R
9	1	(A=F603540) 26013-100164	BOLT M10X 16	1	1	1					
10	1	(B=F603570) 1N1600-74420	BOLT 10X22 W/SP.WSHR	14	14	14					
10-1	1	(C=F603590) 26013-100202	BOLT, M10X 20	16	16	16					R
11	1	(A=F603540) 1N1600-74760	BOLT 12X30 W/SP.WSHR	18	18	18					
11-1	1	(B=F603570) 26013-120302	BOLT, M12X 30	18	18	18					R
12	1	(C=F603590) 26106-080302	BOLT, M8X 30 PLATED	4	4	4					
13	1	26117-080162	BOLT M 8X 16 PLATED	4	4	4					
14	1	22137-080000	WASHER, 8	4	4	4					
15	1	22217-080000	WASHER, SPRING 8	4	4	4					
16	1	1N3240-29030	RUBBER,TANK	1	1	1					W
17	1	(A=F603540) 26106-080162	BOLT, M8X 16 PLATED	1	1	1					W
18	1	(B=F603570) 22137-120000	WASHER, 12	6	6	6					W
19	1	(C=F603590) 1N3240-29060	RUBBER,TANK UNDER	1	1	1					W

Fig.22. ENGINE RELATED

(A)=YSR3120  
(B)=YSR3120A  
(C)=YSR3420A

(D)=  
(E)=  
(F)=

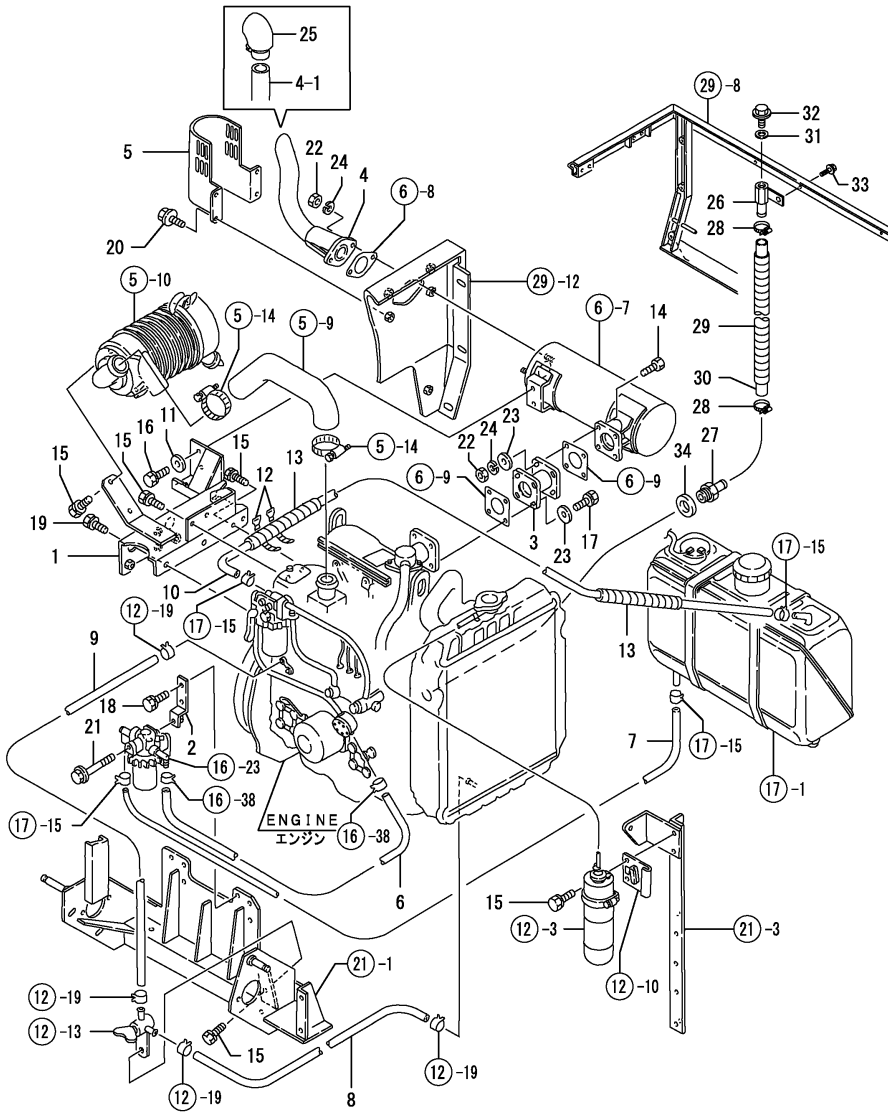


No.	Lev.	Parts No.	Description	Qty						I	R
				(A)	(B)	(C)	(D)	(E)	(F)		
1	1	1N3240-26000	BRACKET CMP,A/CLEANR	1	1	1					
2	1	1N3240-27000	STAY COMP.,SEPARATOR	1	1	1					Z
		(A=F603540) (B=F603570) (C=F603590)									
3	1	1N3240-31000	PIPE A COMP.,EXTN.	1	1	1					
4	1	1N3240-33000	PIPE B COMP.,EXTN.	1	1	1					
4-1	1	1N3240-33001	PIPE B COMP.,EXTN.	1	1	1					F 1
		(A=F603540) (B=F603570) (C=F603590)									
5	1	1N3240-39020	COVER,EXH PIPE	1	1	1					
6	1	1N1600-79150	HOSE 7.5X400,BRAIDED	1	1	1					
7	1	1N1600-79170	HOSE 7.5X950,BRAIDED	1	1	1					
7-1	1	1N1600-79560	HOSE 7.5X1000,BRAID.	1	1	1					N
		(A=F603540) (B=F603570) (C=F603590)									
8	1	1N1600-79140	HOSE 7.5X300,BRAIDED	1	1	1					
9	1	1N1600-79160	HOSE 7.5X500,BRAIDED	1	1	1					
10	1	1N1600-79180	HOSE 7.5X1020,BRAID.	1	1	1					
10-1	1	1N1600-79560	HOSE 7.5X1000,BRAID.	1	1	1					N
		(A=F603540) (B=F603570) (C=F603590)									
11	1	1N1600-77270	WASHER 8X25X3.2,RD	2	2	2					
11-1	1	22157-080000	WASHER, 8	2	2	2					R
		(A=F603540) (B=F603570) (C=F603590)									
12	1	1N1600-77210	TIE RF140,REPEAT	2	2	2					
13	1	1N1600-79210	PLUMMER 12X200	2	2	2					
14	1	26116-080304	BOLT, M8X 30 PLATED	4	4	4					
14-1	1	26106-080302	BOLT, M8X 30 PLATED	4	4	4					R
		(A=F603540) (B=F603570) (C=F603590)									
15	1	26013-080162	BOLT, M8X 16	9	9	9					
15-1	1	26106-080162	BOLT, M8X 16 PLATED	9	9	9					R
		(A=F603540) (B=F603570) (C=F603590)									
16	1	1N1600-74520	BOLT 8X20 W/SP.WSHR.	2	2	2					
16-1	1	26106-080202	BOLT, M8X 20 PLATED	2	2	2					R
		(A=F603540) (B=F603570) (C=F603590)									
17	1	1N1600-74750	BOLT 8X25 W/SP.WSHR.	4	4	4					
17-1	1	26106-080202	BOLT, M8X 20 PLATED	4	4	4					R
		(A=F603540) (B=F603570) (C=F603590)									
18	1	26013-100252	BOLT, M10X 25	2	2	2					Z
		(A=F603540) (B=F603570) (C=F603590)									
19	1	1N1600-74430	BOLT 12X25 W/SP.WSHR	2	2	2					
19-1	1	26013-120252	BOLT, M12X 25	2	2	2					R
		(A=F603540) (B=F603570) (C=F603590)									
20	1	26106-080122	BOLT, M8X 12 PLATED	4	4	4					
21	1	26106-080702	BOLT, M8X 70 PLATED	1	1	1					
22	1	26717-080002	NUT, M8	6	6	6					
22-1	1	26367-080002	NUT, M8	6	6	6					R
		(A=F603540) (B=F603570) (C=F603590)									
23	1	22137-080000	WASHER, 8	8	8	8					Z
		(A=F603540) (B=F603570) (C=F603590)									
24	1	22217-080000	WASHER, SPRING 8	6	6	6					Z
		(A=F603540) (B=F603570) (C=F603590)									
25	1	1N3240-34000	CAP COMPL.,MUFFLER	1	1	1					W 1
		(A=F603540) (B=F603570) (C=F603590)									
26	1	1N3240-28000	JOINT,DRAIN	1	1	1					W

Remarks  
(1)THE INDEX NO.4 IS COMPAILBLE  
WITH A SET OF 4-1 AND 25.



Fig.22. ENGINE RELATED



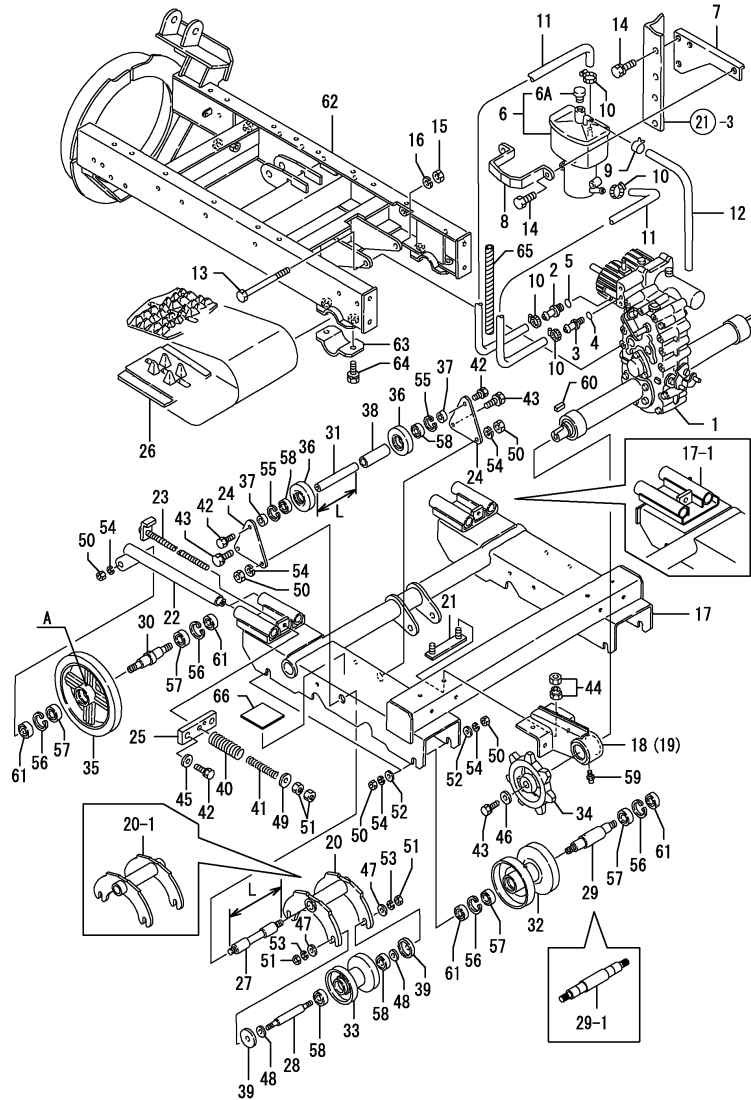
(A)=YSR3120  
(B)=YSR3120A  
(C)=YSR3420A

(D)=  
(E)=  
(F)=

No.	Lev.	Parts No.	Description	Q'ty						I	R
				(A)	(B)	(C)	(D)	(E)	(F)		
27	1	(A=F003501) 1N3240-29050	(B=F003521) (C=F003549)	1	1	1					W
		(A=F003501)	(B=F003521) (C=F003549)								
28	1	1N1600-77310 BAND 19,UNIVERSAL	(A=F003501) (B=F003521) (C=F003549)	2	2	2					W
		(A=F003501)	(B=F003521) (C=F003549)								
29	1	1N1600-83210 CORRUGATE 19X550	(A=F003501) (B=F003521) (C=F003549)	1	1	1					W
		(A=F003501)	(B=F003521) (C=F003549)								
30	1	1N1600-83220	(A=F003501) (B=F003521) (C=F003549)	1	1	1					W
		(A=F003501)	(B=F003521) (C=F003549)								
31	1	1N1600-79590 PACKG 12X22X2,RD.CU	(A=F003501) (B=F003521) (C=F003549)	1	1	1					W
		(A=F003501)	(B=F003521) (C=F003549)								
32	1	26136-120162 BOLT, M12X 16 PLATED	(A=F003501) (B=F003521) (C=F003549)	1	1	1					W
		(A=F003501)	(B=F003521) (C=F003549)								
33	1	26106-060162 BOLT, M6X 16 PLATED	(A=F003501) (B=F003521) (C=F003549)	1	1	1					W
		(A=F003501)	(B=F003521) (C=F003549)								
34	1	22190-220002 WASHER, SEAL 22	(A=F003501) (B=F003521) (C=F003549)	1	1	1					W
		(A=F003501)	(B=F003521) (C=F003549)								

Remarks  
(1)THE INDEX NO.4 IS COMPAILBLE WITH A SET OF 4-1 AND 25.

Fig.23. CHASSIS



Remarks

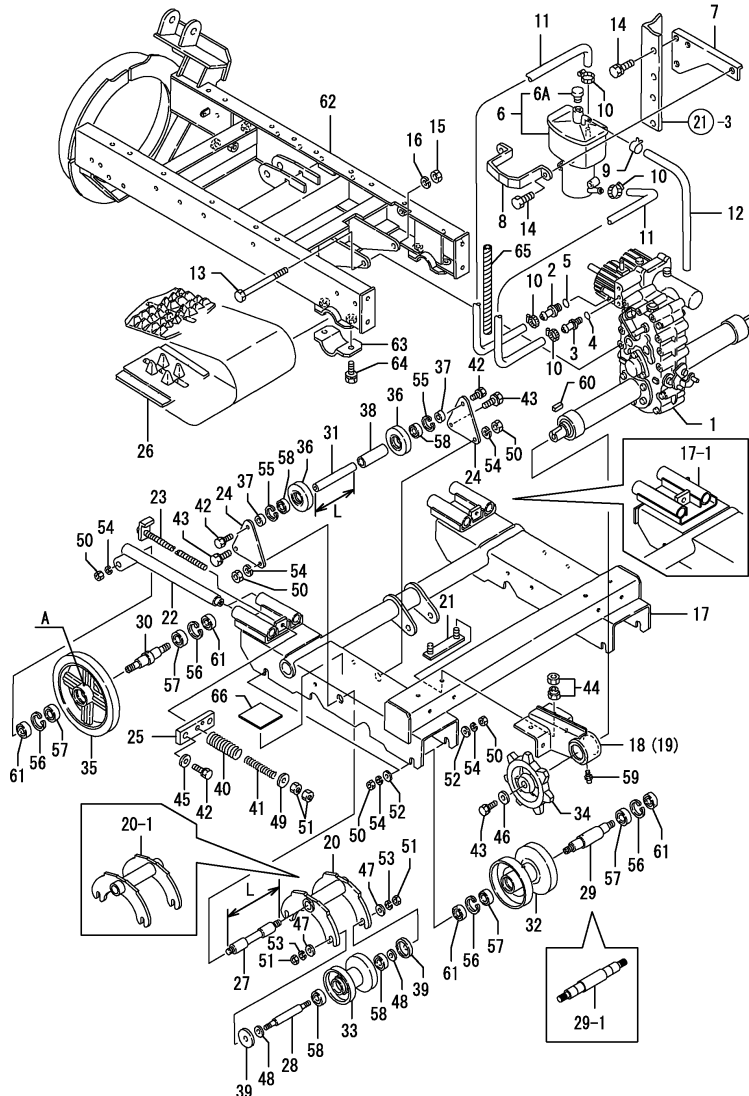
- (1)L=REF.NO.27 200M/M, 27-1 240M/M.
- (2)L=REF.NO.31 150M/M, 31-1 190M/M.
- (3)THERE IS A HOLE OF 2M/M IN THE PART A IN REF.NO.35. IT IS NOT IN REF.NO.35-1.

(A)=YSR3120  
(B)=YSR3120A  
(C)=YSR3420A

(D)=  
(E)=  
(F)=

No.	Lev.	Parts No.	Description	Qty						I	R
				(A)	(B)	(C)	(D)	(E)	(F)		
1	1	1N3241-00010	TRANSMISSN FE17HB03	1	1	1					
2	1	1N1600-78750	CONNECTOR,OIL TK.PT	1	1	1					
2-1	1	1N1600-83230	CONNECTOR,SUC.PORT	1	1	1					P
3	1	(A=F902404) 1N1600-78760 (B=F902424) (C=F902454)	CONNECTOR,SUC.PORT	1	1	1					
4	1	1N1600-78770	O-RING AS568-904	1	1	1					
5	1	1N1600-78780	O-RING AS568-910	1	1	1					
6	1	1N1600-77790	TANK, LUB OIL	1	1	1					
6A	2	1N1600-81520	CAP	1	1	1					
7	1	1N3241-61000	BASE COMP.,OIL TANK	1	1	1					
8	1	1N3151-69230	BAND	1	1	1					
9	1	1N1600-78060	CLIP 10,HOSE	1	1	1					
10	1	1N1600-77310	BAND 19,UNIVERSAL	4	4	4					
11	1	1N1600-79130	HOSE 13X500	2	2	2					
12	1	1N1600-79120	HOSE 8X350	1	1	1					
13	1	26116-081352	BOLT, M8X135 PLATED	1	1	1					
13-1	1	26116-081402	BOLT, M8X140 PLATED	1	1	1					R
14	1	(A=F603540) 1N1600-74520 (B=F603570) (C=F603590)	BOLT 8X20 W/SP.WSHR.	4	4	4					
14-1	1	26106-080202	BOLT, M8X 20 PLATED	4	4	4					R
15	1	26717-080002	NUT, M8	1	1	1					
15-1	1	26367-080002	NUT, M8	1	1	1					R
15-2	1	(A=F603540) 1N3241-19010 (B=F603570) (C=F603590)		1	1	1					R
16	1	22217-080000	WASHER, SPRING 8	1	1	1					Z
17	1	(A=F603540) 1N3242-11000 (B=F603570) (C=F603590)	FRAME COMP.,CRAWLER	1	1	1					
17-1	1	1N3242-11001	FRAME COMP.,CRAWLER	1	1	1					S
18	1	(A=F023941) 1N3242-12000 (B=F023961) (C=F023981)	SUPPORT L CMP.,AXLE	1	1	1					
19	1	1N3242-13000	SUPPORT R CMP.,AXLE	1	1	1					
20	1	1N3242-14000	FRAME CMP.,EQUALIZER	2	2	2					
20-1	1	(A=F023941) 1N3242-14001 (B=F023961) (C=F023981)	FRAME CMP.,EQUALIZER	2	2	2					S
21	1	1N3242-15000	SET BOLT ASSY	4	4	4					
22	1	1N3102-14000	BEAM COMP.,TENSION	4	4	4					
23	1	1N3102-15001	BOLT COMP.,TENSION	2	2	2					
24	1	1N3242-19010	SUPPORT,CRAWLR.IDLER	4	4	4					
25	1	1N3102-19020	SUPPORT,TENSION BEAM	2	2	2					
26	1	1N1682-39010	CRAWLER 300X72X40,RB	2	2	2					
27	1	1N3242-49010	SHAFT,EQUALIZER	2	2	2					
27-1	1	(A=F023941) 1N3242-49011 (B=F023961) (C=F023981)	SHAFT,EQUALIZER	2	2	2					S 1
28	1	1N3242-49020	SHAFT,EQUALZR.WHEEL	4	4	4					
29	1	1N3102-49010	SHAFT A,WHEEL	4	4	4					
29-1	1	1N3242-49030	SHAFT A,WHEEL	4	4	4					S
30	1	(A=F023941) 1N3102-49020 (B=F023961) (C=F023981)	SHAFT B,WHEEL	2	2	2					
31	1	1N3102-49030	SHAFT,CRAWLER IDLER	2	2	2					

Fig.23. CHASSIS



(A)=YSR3120  
(B)=YSR3120A  
(C)=YSR3420A

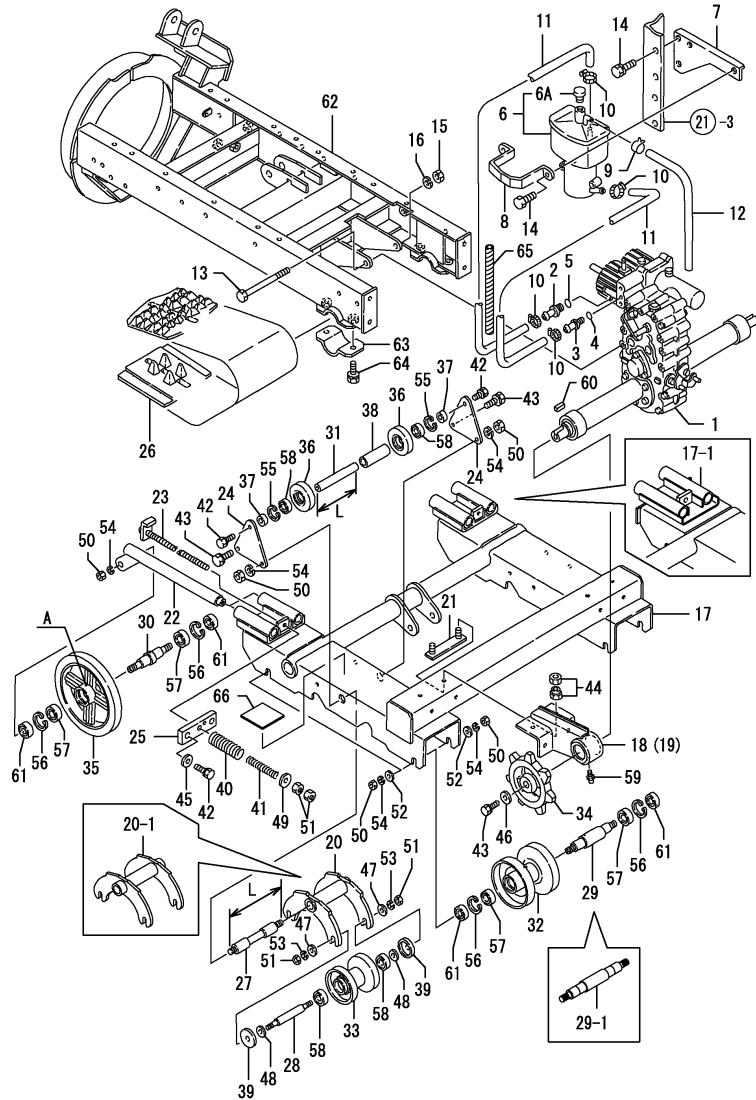
(D)=  
(E)=  
(F)=

No.	Lev.	Parts No.	Description	Qty						I	R	
				(A)	(B)	(C)	(D)	(E)	(F)			
31-1	1	1N3242-49040 (A=F023941) (B=F023961) (C=F023981)	SHAFT,CRAWLER IDLER	2	2	2					S	2
32	1	1N3102-61000	WHEEL COMP.,CRAWLER	4	4	4						
33	1	1N3242-61000	WHEEL CMP,EQUALIZER	4	4	4						
34	1	1N1600-70770	SPROCKET,DRIVE	2	2	2						
35	1	1N3102-69020	WHEEL,FRONT	2	2	2						
35-1	1	1N3242-69010 (A=F023941) (B=F023961) (C=F023981)	WHEEL,FRONT	2	2	2					S	3
36	1	1N3102-69030	IDLER,CRAWLER	4	4	4						
37	1	1N3102-69040	COLLAR 20X19	4	4	4						
37-1	1	1N3242-69020 (A=F023941) (B=F023961) (C=F023981)	COLLAR 20X39	4	4	4					S	
38	1	1N3102-69050	COLLAR 20X88	2	2	2						
39	1	1N1600-78790	COVER,TRACK ROLLER	8	8	8						
40	1	1N1679-16010	SPRING 31X110,COILED	2	2	2						
40-1	1	1N3242-39010 (A=F902404) (B=F902424) (C=F902454)		2	2	2					P	
41	1	1N1679-16020 (A=F902404) (B=F902424) (C=F902454)	SPRING 19X110,COILED	2	2	2					Z	
42	1	1N1600-78870	BOLT M10X20,SM.SPR.	8	8	8						
43	1	1N1600-78880	BOLT M10X25,SM.SPRG	6	6	6						
44	1	1N1600-78940	NUT M16,HARD LOCK	8	8	8						
45	1	1N1600-77290	WASHER 10X30X4.5,CIR	4	4	4						
45-1	1	1N1600-74890 (A=F603540) (B=F603570) (C=F603590)	WASHER 10X35X4.5,RD.	4	4	4					R	
46	1	1N1600-74550	WASHER 10X40X4.5,RD.	2	2	2						
46-1	1	1N1600-74890 (A=F603540) (B=F603570) (C=F603590)	WASHER 10X35X4.5,RD.	2	2	2					R	
47	1	1N1600-78960 (A=F603540) (B=F603570) (C=F603590)	WASHER 12X30X3.2,RD.	8	8	8						
47-1	1	1N1600-77080 (A=F603540) (B=F603570) (C=F603590)	WASHER 12X30X4.5,CIR	8	8	8					R	
48	1	1N1600-77080	WASHER 12X30X4.5,CIR	8	8	8						
49	1	1N1600-77550	WASHER 12X40X4.5,RD.	2	2	2						
49-1	1	1N3242-19020 (A=F902404) (B=F902424) (C=F902454)		2	2	2					P	
50	1	26717-160002	NUT, M16	16	16	16						
51	1	26717-120002	NUT, M12	12	12	12						
52	1	22137-160000	WASHER, 16	8	8	8						
53	1	22217-120000	WASHER, SPRING 12	8	8	8						
54	1	22217-160000	WASHER, SPRING 16	16	16	16						
55	1	22252-000420	RING, 42	4	4	4						
56	1	22252-000470	RING, 47	12	12	12						
57	1	24101-060054	BEARING, BALL 6005	12	12	12						
58	1	24104-060044	BEARING, BALL 6004UU	12	12	12						
59	1	1N1600-75150	NIPPLE A-MT6X1,GRS.	2	2	2						
59-1	1	1N1600-83250 (A=F902404) (B=F902424) (C=F902454)	NIPPLE B-M6X1	2	2	2					P	
60	1	1N1600-79390	KEY 8X7X35SR	2	2	2						
61	1	24421-254708	SEAL, OIL TC254708	12	12	12						
62	1	1N3244-11000	FRAME COMPL.,BODY	1	1	1						
63	1	1N3244-19010	HOLDER,AXLE	2	2	2						

Remarks

- (1)L=REF.NO.27 200M/M, 27-1 240M/M.
- (2)L=REF.NO.31 150M/M, 31-1 190M/M.
- (3)THERE IS A HOLE OF 2M/M IN THE PART A IN REF.NO.35. IT IS NOT IN REF.NO.35-1.

Fig.23. CHASSIS



(A)=YSR3120  
(B)=YSR3120A  
(C)=YSR3420A

(D)=  
(E)=  
(F)=

No.	Lev.	Parts No.	Description	Qty						I	R
				(A)	(B)	(C)	(D)	(E)	(F)		
64	1	26013-120352	BOLT, M12X 35	4	4	4					
65	1	1N1600-83240		1	1	1					W
		(A=F902404)	(B=F902424)	(C=F902454)							
66	1	1N3242-19050	RUBBER 50X50X3.0	2	2	2					W
		(A=F034231)	(B=F034251)	(C=F034266)							

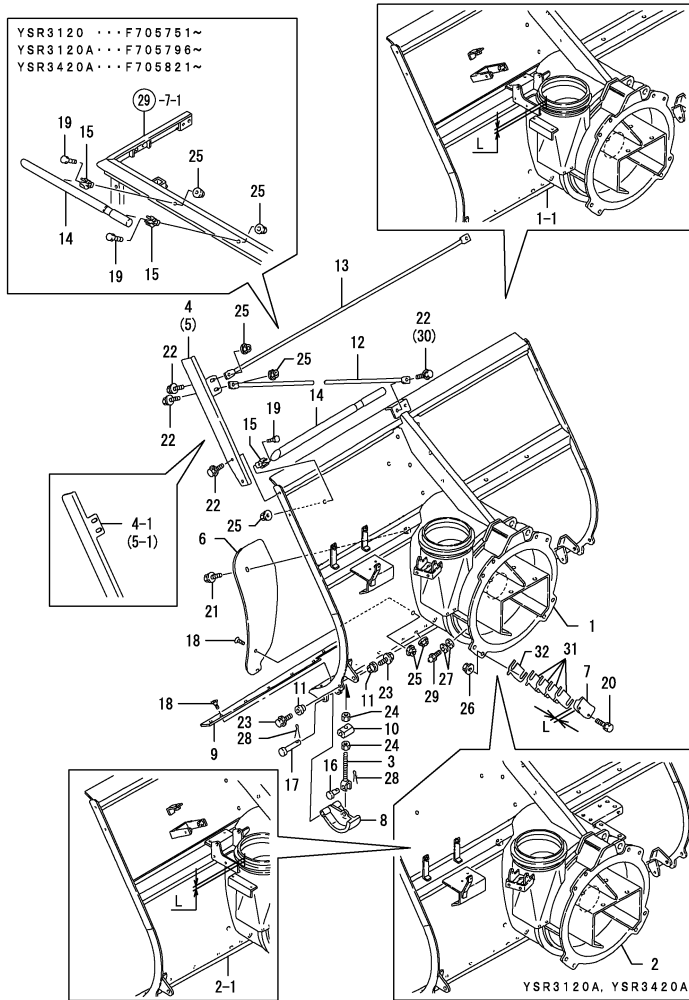
Remarks

- (1)L=REF.NO.27 200M/M, 27-1 240M/M.
- (2)L=REF.NO.31 150M/M, 31-1 190M/M.
- (3)THERE IS A HOLE OF 2M/M IN THE PART A IN REF.NO.35.
- IT IS NOT IN REF.NO.35-1.

Fig.24. SNOW REMOVING FRAME

(A)=YSR3120  
(B)=YSR3120A  
(C)=YSR3420A

(D)=  
(E)=  
(F)=



No.	Lev.	Parts No.	Description	Q'ty						I	R
				(A)	(B)	(C)	(D)	(E)	(F)		
1	1	7N1600-78810	PL.AS.SNW.REMV.FRAME	1							
1-1	1	7N3233-11000	PL.AS.SNW.REMV.FRAME	1							S
		(A=F705751)									
1-2	1	7N3233-11001	PL.AS.SNW.REMV.FRAME	1							F 2
		(A=F902404)									
2	1	7N1600-78800	PL.AS.SNW.REMV.FRAME		1	1					
2-1	1	7N3243-11000	PL.AS.SNW.REMV.FRAME		1	1					S
		(B=F705796) (C=F705821)									
2-2	1	7N3243-11001	PL.AS.SNW.REMV.FRAME		1	1					F 2
		(B=F902424) (C=F902454)									
3	1	1N1683-13000	SUPPORT,SLEDGE	2	2	2					
4	1	1N1683-14000	PLATE L,SNOW CUTTING	1	1	1					
4-1	1	1N3243-19040	PLATE L,SNOW CUTTING	1	1	1					F 3
		(A=F023941) (B=F023961) (C=F023981)									
5	1	1N1683-15000	PLATE R,SNOW CUTTING	1	1	1					
5-1	1	1N3243-19050	PLATE R,SNOW CUTTING	1	1	1					F 3
		(A=F023941) (B=F023961) (C=F023981)									
6	1	1N1673-19010	PLATE,SHIELDING	1	1	1					
7	1	1N3073-19010	GUIDE,ROLLING	4	4	4					
7-1	1	1N3243-12000	GUIDE COMP.,ROLLING	4	4	4					R
		(A=F705751) (B=F705796) (C=F705821)									
7-2	1	1N3243-14000	ROLLING GUIDE	4	4	4					F 4
		(A=F902404) (B=F902424) (C=F902454)									
8	1	1N1600-75830	SLEDGE	2	2	2					
9	1	1N1600-78820	EDGE	1	1	1					
10	1	1N1683-19040		2	2	2					
11	1	1N1683-19050	COLLAR,POST	4	4	4					
12	1	1N1673-29010	BAR A,SNOW CUTTING	2	2	2					
13	1	1N1673-29020	BAR B,SNOW CUTTING	1	1	1					
14	1	1N1803-99010	ROD,SNOW SHOVELING	1	1	1					
15	1	1N1803-99020	METAL,LOCK	2	2	2					
16	1	1N1689-14010	PIN 12X22	2	2	2					
17	1	1N1689-14020	PIN 12X70	2	2	2					
18	1	1N1639-12170	SCREW 8X15,CRFHMC.	15	15	15					
18-1	1	1N1600-77630	BOLT 8X15,HEX.SCKT.F	15	15	15					R
		(A=F603540) (B=F603570) (C=F603590)									
19	1	26117-080162	BOLT M 8X 16 PLATED	2	2	2					
20	1	26013-120452	BOLT, M12X 45	8	8	8					
20-1	1	26136-120452	BOLT, M12X 45 PLATED	8	8	8					F 1
		(A=F603540) (B=F603570) (C=F603590)									
21	1	26106-080202	BOLT, M8X 20 PLATED	1	1	1					
22	1	26106-080252	BOLT, M8X 25 PLATED	6	6	6					
22-1	1	26106-080252	BOLT, M8X 25 PLATED	4	4	4					K
		(A=F603540) (B=F603570) (C=F603590)									
23	1	26106-100252	BOLT, M10X 25 PLATED	8	8	8					
23-1	1	26013-100252	BOLT, M10X 25	8	8	8					R
		(A=F603540) (B=F603570) (C=F603590)									
24	1	26717-160002	NUT, M16	4	4	4					
25	1	26367-080002	NUT, M8	8	8	8					
26	1	26367-120002	NUT, M12	8	8	8					
26-1	1	26377-120002	NUT, M12	8	8	8					F 1

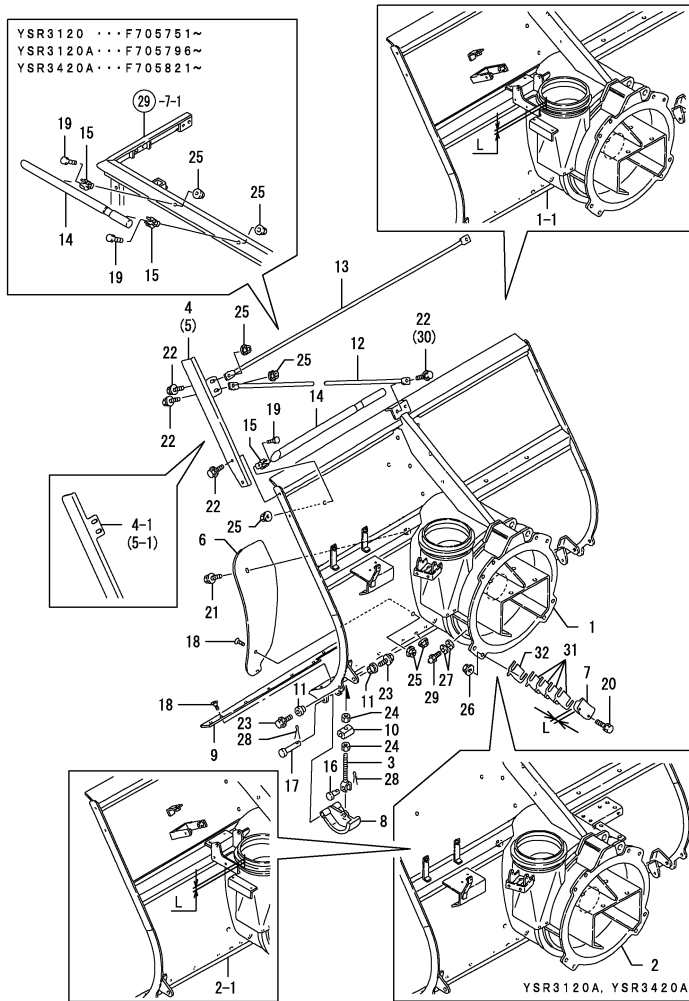
Remarks

- (1)The indexes No.20,26 are a set and compatible with a set of 20-1and 26-1
- (2)L=Ref.No.1-1,2-1 15.5mm,1-2,2-2 14mm.Fig.41 ref.No.55-1,60-1 Interchangeable
- (3)Ref.Nos.3,4 is Interchangeable with a set of ref.Nos.3-1,4-1.
- (4)Ref.No.7-1 not sold.
- L=Ref.No.7-1 19mm, 7-2 15mm.
- please order ref.Nos.7-2,31 & 32 by the set.

Fig.24. SNOW REMOVING FRAME

(A)=YSR3120  
 (B)=YSR3120A  
 (C)=YSR3420A

(D)=  
 (E)=  
 (F)=



No.	Lev.	Parts No.	Description	Qty						I	R
				(A)	(B)	(C)	(D)	(E)	(F)		
		(A=F603540) (B=F603570) (C=F603590)									
27	1	22137-060000	WASHER, 6	6	6	6					
28	1	22417-250200	PIN, COTTER 2.5X20	4	4	4					
29	1	1N1600-75150	NIPPLE A-MT6X1,GRS.	3	3	3					
30	1	26106-080202	BOLT, M8X 20 PLATED	2	2	2					W
		(A=F603540) (B=F603570) (C=F603590)									
31	1	1N3243-19020	SIM	16	16	16					W
		(A=F902404) (B=F902424) (C=F902454)									
32	1	1N3243-19030	SHIM	4	4	4					W
		(A=F902404) (B=F902424) (C=F902454)									

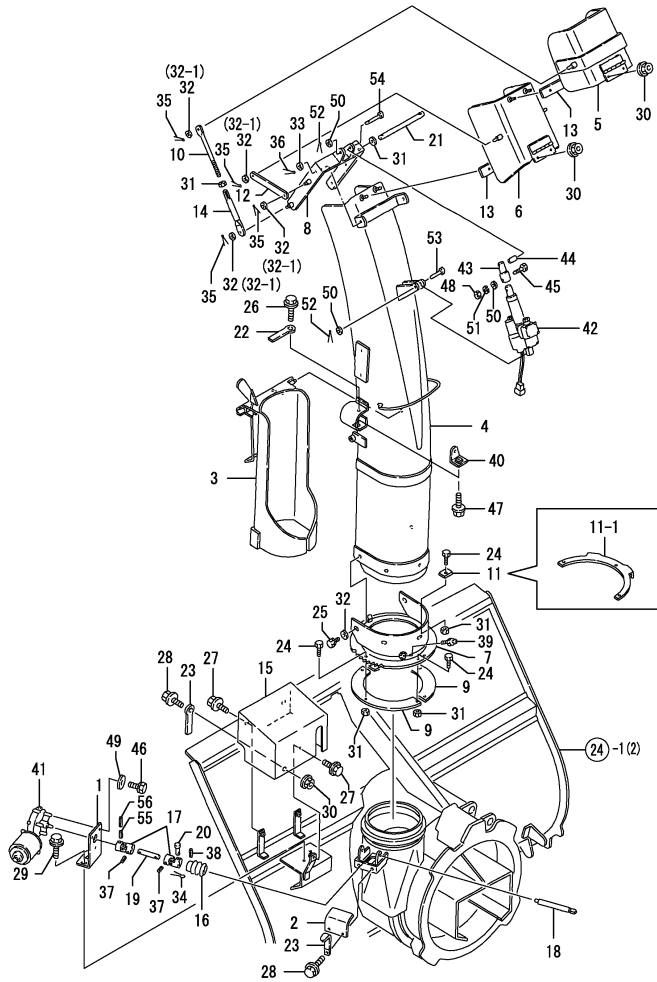
Remarks

- (1) The indexes No.20,26 are a set and compatible with a set of 20-1 and 26-1
- (2) L=Ref.No.1-1,2-1 15.5mm,1-2,2-2 14mm.Fig.41 ref.No.55-1,60-1 Interchangeable
- (3) Ref.Nos.3,4 is Interchangeable with a set of ref.Nos.3-1,4-1.
- (4) Ref.No.7-1 not sold.
- L=Ref.No.7-1 19mm, 7-2 15mm.
- please order ref.Nos.7-2,31 & 32 by the set.

Fig.25. CHUTE

(A)=YSR3120  
(B)=YSR3120A  
(C)=YSR3420A

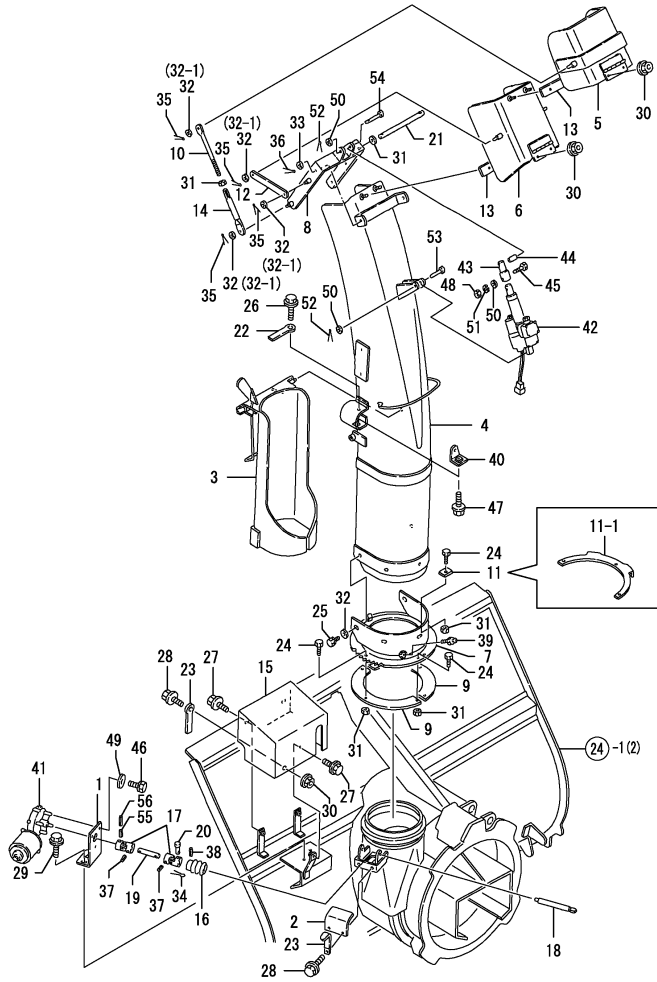
(D)=  
(E)=  
(F)=



No.	Lev.	Parts No.	Description	Q'ty						I	R
				(A)	(B)	(C)	(D)	(E)	(F)		
1	1	1N3163-14000 (A=F705751) (B=F705796) (C=F705821)	BASE COMP.,MOTOR	1	1	1					Z
2	1	1N1683-19010	COVER,WORM	1	1	1					Z
3	1	7N3073-32000 (A=F705751) (B=F705796) (C=F705821)	COVER CMP.,CARTRIDGE	1	1	1					Z
4	1	7N3073-33000 (A=F705751) (B=F705796) (C=F705821)	CHUTE 1200 CMP,MOTOR	1	1	1					Z
5	1	1N1833-34000 (A=F705751) (B=F705796) (C=F705821)	CAP B COMP.,CHUTE	1	1	1					Z
6	1	1N3073-34000 (A=F705751) (B=F705796) (C=F705821)	CAP A COMP.,CHUTE	1	1	1					Z
7	1	1N3073-35000 (A=F705751) (B=F705796) (C=F705821)	BASE COMP.,CHUTE	1	1	1					Z
8	1	1N3073-36000 (A=F705751) (B=F705796) (C=F705821)	ARM CMP,CHUTE CONTR.	1	1	1					Z
9	1	1N1673-39010 (A=F705751) (B=F705796) (C=F705821)	CLAMP,CHUTE	2	2	2					Z
10	1	1N1763-39010 (A=F705751) (B=F705796) (C=F705821)	ROD,ADJUSTING	2	2	2					Z
11	1	1N1673-39020 (A=F603540) (B=F603570) (C=F603590)	STOPPER,CHUTE	1	1	1					S
11-1	1	1N3243-39010 (A=F603540) (B=F603570) (C=F603590)	STOPPER,SHOOTER	1	1	1					S
11-2	1	1N3243-39010 (A=F705751) (B=F705796) (C=F705821)	STOPPER,SHOOTER	1	1	1					Z
12	1	1N1833-39020 (A=F705751) (B=F705796) (C=F705821)	ARM 129,LINK	2	2	2					Z
13	1	1N1673-39030 (A=F705751) (B=F705796) (C=F705821)	RUBBER,CHUTE	2	2	2					Z
14	1	1N1833-39030 (A=F705751) (B=F705796) (C=F705821)	ROD 105,CHUTE LINK	2	2	2					Z
15	1	7N3103-81000 (A=F705751) (B=F705796) (C=F705821)	COVER COMP.,MOTOR	1	1	1					Z
16	1	1N1610-70131 (A=F705751) (B=F705796) (C=F705821)	WORM	1	1	1					Z
17	1	1N1600-77240 (A=F705751) (B=F705796) (C=F705821)	JOINT NC-10-RRA-16	2	2	2					Z
18	1	1N3157-59011 (A=F705751) (B=F705796) (C=F705821)	SHAFT,WORM	1	1	1					Z
19	1	1N3077-59090 (A=F705751) (B=F705796) (C=F705821)	SHAFT,JOINT	1	1	1					Z
20	1	1N3077-69150 (A=F705751) (B=F705796) (C=F705821)	PIN 4.3X25	1	1	1					Z
21	1	1N1600-77140 (A=F705751) (B=F705796) (C=F705821)	PIN 10X185,PRESS	1	1	1					Z
22	1	1N1600-75450 (A=F705751) (B=F705796) (C=F705821)	CLAMP 6X45,CORD	1	1	1					Z
23	1	1N1600-75120 (A=F705751) (B=F705796) (C=F705821)	CLAMP 8X80,CORD	2	2	2					Z
24	1	26116-080202 (A=F705751) (B=F705796) (C=F705821)	BOLT, M8X 20 PLATED	6	6	6					Z

Remarks  
 \* THIS INDEX INDICATES THE MACHINES UP TO THE FOLLOWING MACHINE NOS. YSR3120 F705750,YSR3120A F705795, YSR3420A F705820.  
 \* REGARDING THE MACHINES SUBSEQUENT TO THE ABOVE, REFER TO THE INDEX NO.41.  
 (1)FASTEN IT WITH THE INDEX NO.56 WITH DOUBLE PIN.

Fig.25. CHUTE



Remarks  
 \* THIS INDEX INDICATES THE MACHINES UP TO THE FOLLOWING MACHINE NOS. YSR3120 F705750, YSR3120A F705795, YSR3420A F705820.  
 \* REGARDING THE MACHINES SUBSEQUENT TO THE ABOVE, REFER TO THE INDEX NO.41.  
 (1)FASTEN IT WITH THE INDEX NO.56 WITH DOUBLE PIN.

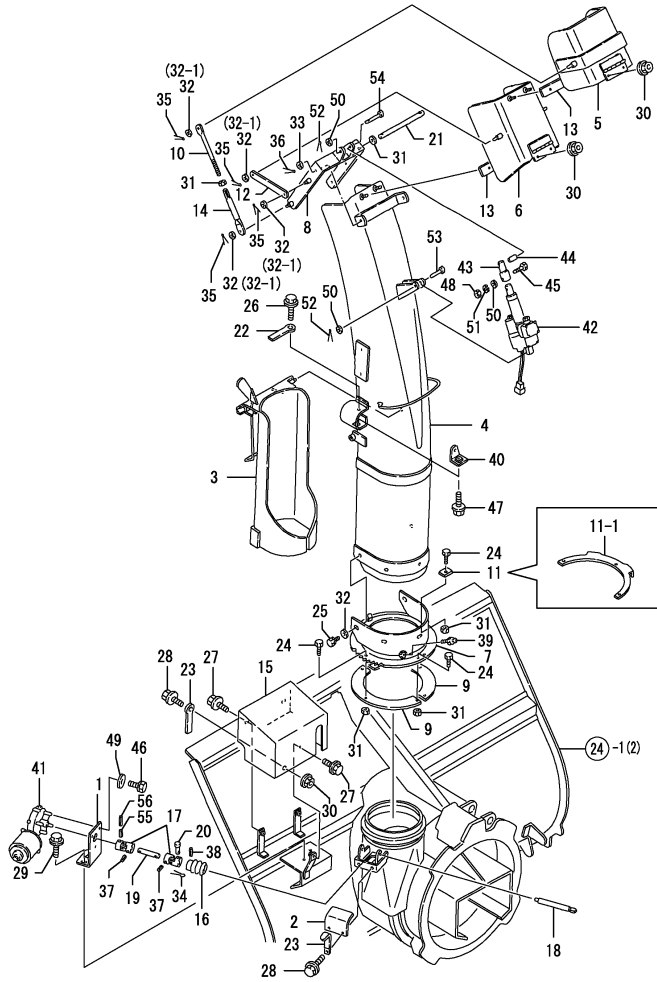
(A)=YSR3120  
 (B)=YSR3120A  
 (C)=YSR3420A

(D)=  
 (E)=  
 (F)=

No.	Lev.	Parts No.	Description	Q'ty						I	R
				(A)	(B)	(C)	(D)	(E)	(F)		
25	1	26013-080162	BOLT, M8X 16	5	5	5					
25-1	1	26106-080122	BOLT, M8X 12 PLATED	5	5	5					R
		(A=F603540) (B=F603570) (C=F603590)									
25-2	1	26106-080122	BOLT, M8X 12 PLATED	5	5	5					Z
		(A=F705751) (B=F705796) (C=F705821)									
26	1	26106-060122	BOLT, M6X 12 PLATED	1	1	1					Z
		(A=F705751) (B=F705796) (C=F705821)									
27	1	26106-060162	BOLT, M6X 16 PLATED	3	3	3					Z
		(A=F705751) (B=F705796) (C=F705821)									
28	1	26106-080162	BOLT, M8X 16 PLATED	3	3	3					Z
		(A=F705751) (B=F705796) (C=F705821)									
29	1	26106-080202	BOLT, M8X 20 PLATED	2	2	2					Z
		(A=F705751) (B=F705796) (C=F705821)									
30	1	26367-080002	NUT, M8	5	5	5					Z
		(A=F705751) (B=F705796) (C=F705821)									
31	1	26717-080002	NUT, M8	8	8	8					Z
		(A=F705751) (B=F705796) (C=F705821)									
32	1	22137-080000	WASHER, 8	13	13	13					
32-1	1	22137-080000	WASHER, 8	8	8	8					K
		(A=F603540) (B=F603570) (C=F603590)									
32-2	1	22137-080000	WASHER, 8	8	8	8					Z
		(A=F705751) (B=F705796) (C=F705821)									
33	1	22137-100000	WASHER, 10	2	2	2					Z
		(A=F705751) (B=F705796) (C=F705821)									
34	1	22417-160100	COTTER PIN	1	1	1					Z
		(A=F705751) (B=F705796) (C=F705821)									
35	1	22417-250160	PIN, COTTER 2.5X16	8	8	8					Z
		(A=F705751) (B=F705796) (C=F705821)									
36	1	22417-320200	PIN, COTTER 3.2X20	1	1	1					Z
		(A=F705751) (B=F705796) (C=F705821)									
37	1	1N1600-71590	PIN 4.5X20,SPRING	2	2	2					Z
		(A=F705751) (B=F705796) (C=F705821)									
38	1	22351-045025	PIN, SPRING 4.5X25	1	1	1					Z
		(A=F705751) (B=F705796) (C=F705821)									
39	1	1N1600-75150	NIPPLE A-MT6X1,GRS.	1	1	1					Z
		(A=F705751) (B=F705796) (C=F705821)									
40	1	1N3078-11000	BRACKET CMP,CHUTE SW	1	1	1					Z
		(A=F705751) (B=F705796) (C=F705821)									
41	1	1N1600-77150	MOTOR	1	1	1					Z
		(A=F705751) (B=F705796) (C=F705821)									
42	1	1N3078-42000	CYLINDER,MOTOR	1	1	1					Z
		(A=F705751) (B=F705796) (C=F705821)									
43	1	1N3078-49010	ADAPTER,CYLINDER	1	1	1					Z
		(A=F705751) (B=F705796) (C=F705821)									
44	1	1N3078-49020	BUSH,CYLINDER PIN	1	1	1					Z
		(A=F705751) (B=F705796) (C=F705821)									
45	1	1N1600-77160	BOLT 6X35	1	1	1					
45-1	1	26106-060352	BOLT, M6X 35 PLATED	1	1	1					R
		(A=F603540) (B=F603570) (C=F603590)									
45-2	1	26106-060352	BOLT, M6X 35 PLATED	1	1	1					Z
		(A=F705751) (B=F705796) (C=F705821)									



Fig.25. CHUTE



(A)=YSR3120  
(B)=YSR3120A  
(C)=YSR3420A

(D)=  
(E)=  
(F)=

No.	Lev.	Parts No.	Description	Qty						I	R
				(A)	(B)	(C)	(D)	(E)	(F)		
46	1	1N1600-79370	BOLT M5X15,SPRING	3	3	3					
46-1	1	26013-050162	BOLT, M5X 16	3	3	3					R
		(A=F603540) (B=F603570) (C=F603590)									
46-2	1	26013-050162	BOLT, M5X 16	3	3	3					Z
		(A=F705751) (B=F705796) (C=F705821)									
47	1	26106-080122	BOLT, M8X 12 PLATED	1	1	1					Z
		(A=F705751) (B=F705796) (C=F705821)									
48	1	26717-060002	NUT, M6	1	1	1					
48-1	1	26367-060002	NUT, M6	1	1	1					R
		(A=F603540) (B=F603570) (C=F603590)									
48-2	1	26367-060002	NUT, M6	1	1	1					Z
		(A=F705751) (B=F705796) (C=F705821)									
49	1	22137-050000	WASHER, 5	3	3	3					Z
		(A=F705751) (B=F705796) (C=F705821)									
50	1	22137-060000	WASHER, 6	3	3	3					Z
		(A=F603540) (B=F603570) (C=F603590)									
51	1	22217-060000	WASHER, SPRING 6	1	1	1					Z
		(A=F603540) (B=F603570) (C=F603590)									
52	1	22417-200160	PIN, COTTER 2.0X16	2	2	2					Z
		(A=F705751) (B=F705796) (C=F705821)									
53	1	1N1600-77170	PIN 6X35,ROUND HEAD	1	1	1					Z
		(A=F705751) (B=F705796) (C=F705821)									
54	1	1N1600-77180	PIN 6X50,ROUND HEAD	1	1	1					Z
		(A=F705751) (B=F705796) (C=F705821)									
55	1	22351-040020	PIN, SPRING 4.0X20	1	1	1					
55-1	1	1N1767-59020	PIN 4X25,SUS SPRING	1	1	1					N
		(A=F603540) (B=F603570) (C=F603590)									
55-2	1	22351-040025	PIN, SPRING 4.0X25	1	1	1					N 1
		(A=F603540) (B=F603570) (C=F603590)									
55-3	1	22351-040025	PIN, SPRING 4.0X25	1	1	1					Z
		(A=F705751) (B=F705796) (C=F705821)									
56	1	22351-025025	PIN 2.5A* 25	1	1	1					W
		(A=F603540) (B=F603570) (C=F603590)									
56-1	1	22351-025025	PIN 2.5A* 25	1	1	1					Z
		(A=F705751) (B=F705796) (C=F705821)									

Remarks

\* THIS INDEX INDICATES THE MACHINES UP TO THE FOLLOWING MACHINE NOS. YSR3120 F705750,YSR3120A F705795, YSR3420A F705820.

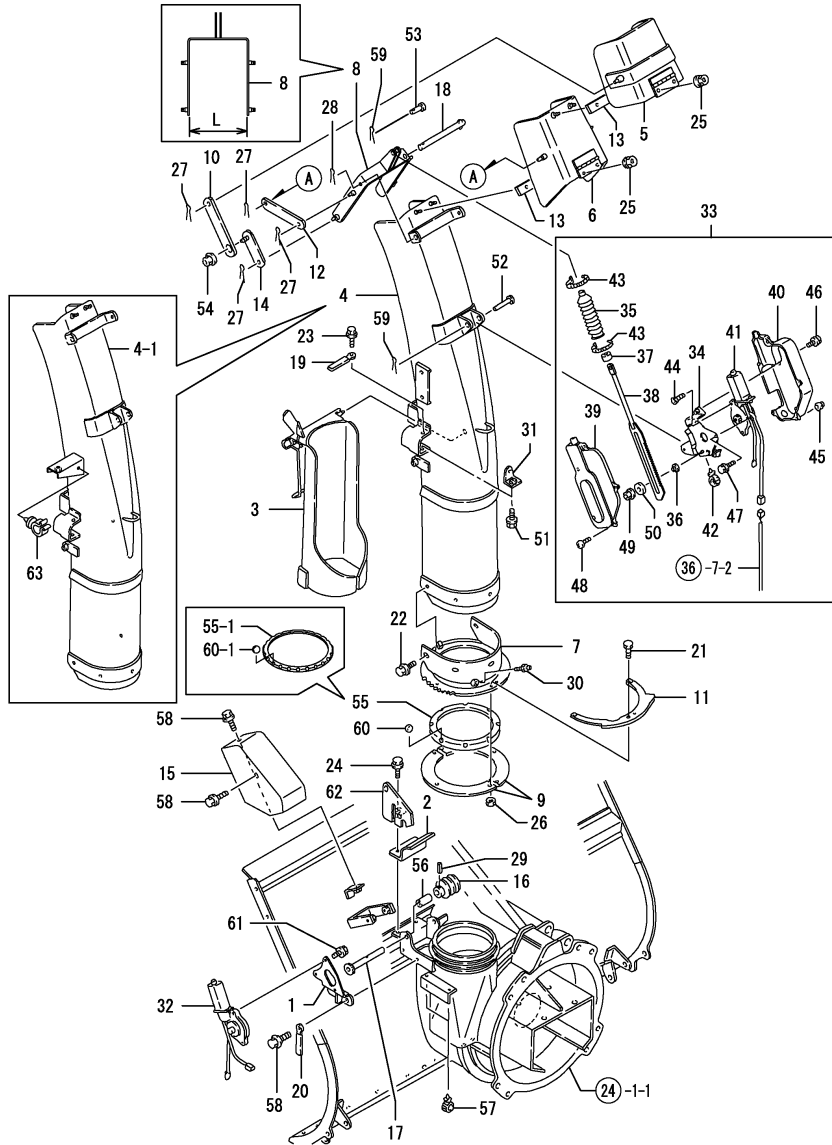
\* REGARDING THE MACHINES SUBSEQUENT TO THE ABOVE, REFER TO THE INDEX NO.41.

(1)FASTEN IT WITH THE INDEX NO.56 WITH DOUBLE PIN.

Fig.41. (25A)CHUTE(ADDITIONAL ITEMS)

(A)=YSR3120  
(B)=YSR3120A  
(C)=YSR3420A

(D)=  
(E)=  
(F)=



No.	Lev.	Parts No.	Description	Q'ty						I	R
				(A)	(B)	(C)	(D)	(E)	(F)		
1	1	1N3243-13000 (A=F705751) (B=F705796) (C=F705821)	BRACKET COMP.,MOTOR	1	1	1					W
2	1	1N3153-89010	COVER,WORM	1	1	1					W
3	1	7N3073-32000 (A=F705751) (B=F705796) (C=F705821)	COVER CMP.,CARTRIDGE	1	1	1					W
4	1	7N3153-31000 (A=F705751) (B=F705796) (C=F705821)	PL.ASSY.,SHOOTER	1	1	1					W
4-1	1	7N3743-31000	PL.ASSY.,SHOOTER	1	1	1					F 1
5	1	1N3163-34000 (A=F705751) (B=F705796) (C=F705821)	DEFLECTOR B COMPL.	1	1	1					W
6	1	1N3163-33000 (A=F705751) (B=F705796) (C=F705821)	DEFLECTOR A COMPL.	1	1	1					W
7	1	1N3153-32000 (A=F705751) (B=F705796) (C=F705821)	BASE COMP.,SHOOTER	1	1	1					W
8	1	1N3163-35000 (A=F705751) (B=F705796) (C=F705821)	ARM COMP.,SHOOTER	1	1	1					W
8-1	1	1N1600-83870 (A=F034231) (B=F034251) (C=F034266)	ARM COMP.,SHOOTER	1	1	1					S 2
9	1	1N1673-39010 (A=F705751) (B=F705796) (C=F705821)	CLAMP,CHUTE	2	2	2					W
10	1	1N3163-39020 (A=F705751) (B=F705796) (C=F705821)	LINK B,SHOOTER	2	2	2					W
11	1	1N3243-39020 (A=F705751) (B=F705796) (C=F705821)	STOPPER,SHOOTER	1	1	1					W
12	1	1N3163-39070 (A=F705751) (B=F705796) (C=F705821)	ARM 133,LINK	2	2	2					W
12-1	1	1N1833-39020 (A=F034231) (B=F034251) (C=F034266)	ARM 129,LINK	2	2	2					S
13	1	1N1673-39030 (A=F705751) (B=F705796) (C=F705821)	RUBBER,CHUTE	2	2	2					W
14	1	1N3163-36000 (A=F705751) (B=F705796) (C=F705821)	LINK A,SHOOTER	2	2	2					W
15	1	1N3243-81000 (A=F705751) (B=F705796) (C=F705821)	COVER COMP.,MOTOR	1	1	1					W
16	1	1N1610-70131 (A=F705751) (B=F705796) (C=F705821)	WORM	1	1	1					W
17	1	1N3153-41000 (A=F705751) (B=F705796) (C=F705821)	SHAFT COMP,WORM	1	1	1					W
18	1	1N1600-77140 (A=F705751) (B=F705796) (C=F705821)	PIN 10X185,PRESS	1	1	1					W
18-1	1	1N1600-84040 (A=F034231) (B=F034251) (C=F034266)		1	1	1					S
19	1	1N1600-75450 (A=F705751) (B=F705796) (C=F705821)	CLAMP 6X45,CORD	1	1	1					W
20	1	1N1600-75120 (A=F705751) (B=F705796) (C=F705821)	CLAMP 8X80,CORD	1	1	1					W
21	1	26116-08020 (A=F705751) (B=F705796) (C=F705821)	BOLT, M8X 20 PLATED	6	6	6					W
21-1	1	26116-080252	BOLT, M8X 25 PLATED	6	6	6					N

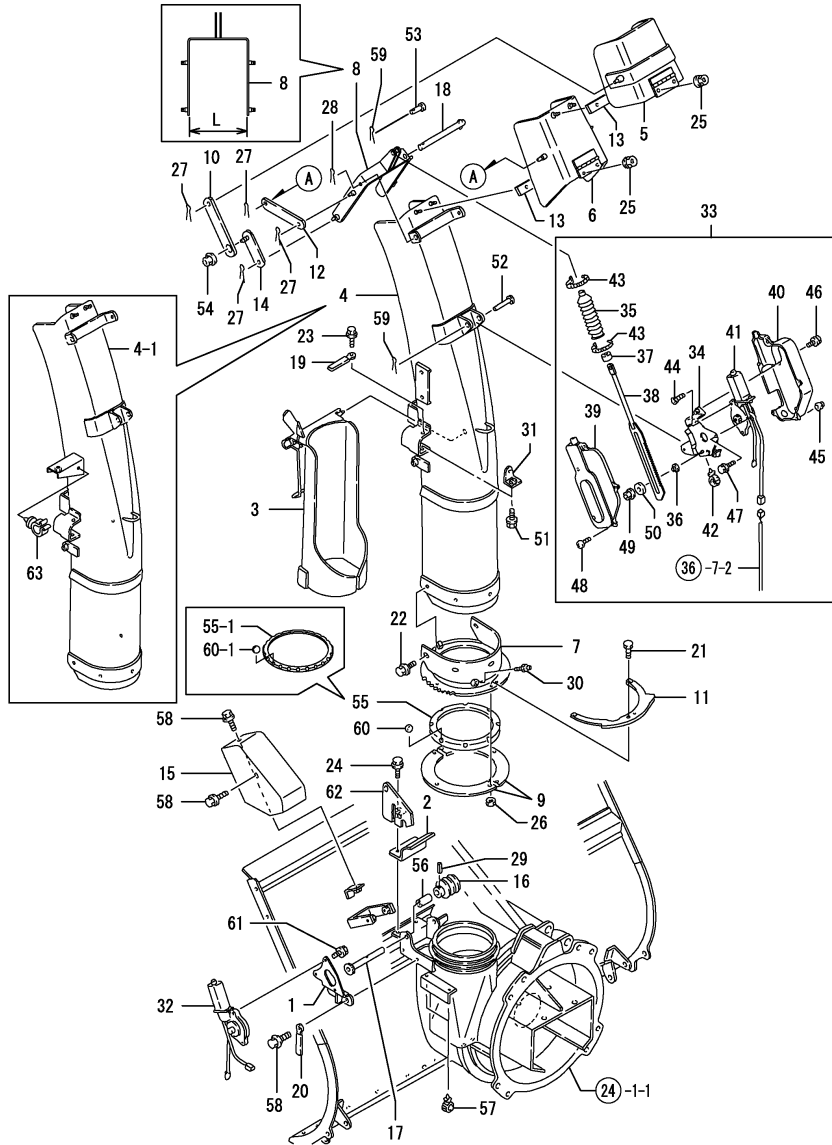
Remarks

- (1)Ref.No.4 Is Interchangeable with a set of ref.Nos.4-1,8-1,12-1 & 18-1.
- (2)L=Ref.No.8 160mm, 8-1 169mm.
- (3)Fig.24 ref.Nos.1-2,2-2 Interchangeable.

Fig.41. (25A)CHUTE(ADDITIONAL ITEMS)

(A)=YSR3120  
(B)=YSR320A  
(C)=YSR3420A

(D)=  
(E)=  
(F)=



No.	Lev.	Parts No.	Description	Q'ty						I	R
				(A)	(B)	(C)	(D)	(E)	(F)		
22	1	(A=F902404)	(B=F902424)	(C=F902454)	5	5	5			W	
		BOLT, M8X 12 PLATED									
		(A=F705751)	(B=F705796)	(C=F705821)							
23	1	(A=F705751)	(B=F705796)	(C=F705821)	1	1	1			W	
		BOLT, M6X 12 PLATED									
		BOLT, M8X 16 PLATED									
24	1	(A=F705751)	(B=F705796)	(C=F705821)	2	2	2			W	
		NUT, M8									
		(A=F705751)	(B=F705796)	(C=F705821)							
25	1	(A=F705751)	(B=F705796)	(C=F705821)	4	4	4			W	
		NUT, M8									
		(A=F705751)	(B=F705796)	(C=F705821)							
26	1	(A=F705751)	(B=F705796)	(C=F705821)	6	6	6			W	
		NUT, M8									
		(A=F705751)	(B=F705796)	(C=F705821)							
27	1	(A=F705751)	(B=F705796)	(C=F705821)	8	8	8			W	
		PIN, COTTER 2.5X16									
		(A=F705751)	(B=F705796)	(C=F705821)							
28	1	(A=F705751)	(B=F705796)	(C=F705821)	1	1	1			W	
		PIN, COTTER 3.2X20									
		(A=F705751)	(B=F705796)	(C=F705821)							
29	1	(A=F705751)	(B=F705796)	(C=F705821)	1	1	1			W	
		PIN, SPRING 4.5X25									
		(A=F705751)	(B=F705796)	(C=F705821)							
30	1	(A=F705751)	(B=F705796)	(C=F705821)	1	1	1			W	
		NIPPLE A-MT6X1,GRS.									
		(A=F705751)	(B=F705796)	(C=F705821)							
31	1	(A=F705751)	(B=F705796)	(C=F705821)	1	1	1			W	
		BRACKET CMP,CHUTE SW									
		(A=F705751)	(B=F705796)	(C=F705821)							
32	1	(A=F705751)	(B=F705796)	(C=F705821)	1	1	1			W	
		MOTOR ASSY.,SHOOTER									
		(A=F705751)	(B=F705796)	(C=F705821)							
33	1	(A=F705751)	(B=F705796)	(C=F705821)	1	1	1			W	
		MOTOR ASSY.,SHOOTER									
		(A=F705751)	(B=F705796)	(C=F705821)							
34	2	(A=F705751)	(B=F705796)	(C=F705821)	1	1	1			W	
		BRACKET A COMP.,MOT.									
		(A=F705751)	(B=F705796)	(C=F705821)							
35	2	(A=F705751)	(B=F705796)	(C=F705821)	1	1	1			W	
		BOOT,SHOOTER									
		(A=F705751)	(B=F705796)	(C=F705821)							
36	2	(A=F705751)	(B=F705796)	(C=F705821)	2	2	2			W	
		COLLAR									
		(A=F705751)	(B=F705796)	(C=F705821)							
37	2	(A=F705751)	(B=F705796)	(C=F705821)	1	1	1			W	
		TUBE,SPACER									
		(A=F705751)	(B=F705796)	(C=F705821)							
38	2	(A=F705751)	(B=F705796)	(C=F705821)	1	1	1			W	
		RACK COMP.,SHOOTER									
		(A=F705751)	(B=F705796)	(C=F705821)							
39	2	(A=F705751)	(B=F705796)	(C=F705821)	1	1	1			W	
		COVER L,MOTOR									
		(A=F705751)	(B=F705796)	(C=F705821)							
40	2	(A=F705751)	(B=F705796)	(C=F705821)	1	1	1			W	
		COVER R,MOTOR									
		(A=F705751)	(B=F705796)	(C=F705821)							
41	2	(A=F705751)	(B=F705796)	(C=F705821)	1	1	1			W	
		MOTOR ASSY.,SHOOTER									
		(A=F705751)	(B=F705796)	(C=F705821)							
42	2	(A=F705751)	(B=F705796)	(C=F705821)	1	1	1			W	
		CLIP C-4397,CABLE									
		(A=F705751)	(B=F705796)	(C=F705821)							
43	2	(A=F705751)	(B=F705796)	(C=F705821)	2	2	2			W	
		BAND CV-140SW,CABLE									
		(A=F705751)	(B=F705796)	(C=F705821)							
44	2	(A=F705751)	(B=F705796)	(C=F705821)	2	2	2			W	
		SCREW M6X 16,CRFHMC.									
		(A=F705751)	(B=F705796)	(C=F705821)							
45	2	(A=F705751)	(B=F705796)	(C=F705821)	5	5	5			W	
		U-NUT M 5									
		(A=F705751)	(B=F705796)	(C=F705821)							
46	2	(A=F705751)	(B=F705796)	(C=F705821)	2	2	2			W	
		BOLT, M6X 12 PLATED									
		(A=F705751)	(B=F705796)	(C=F705821)							

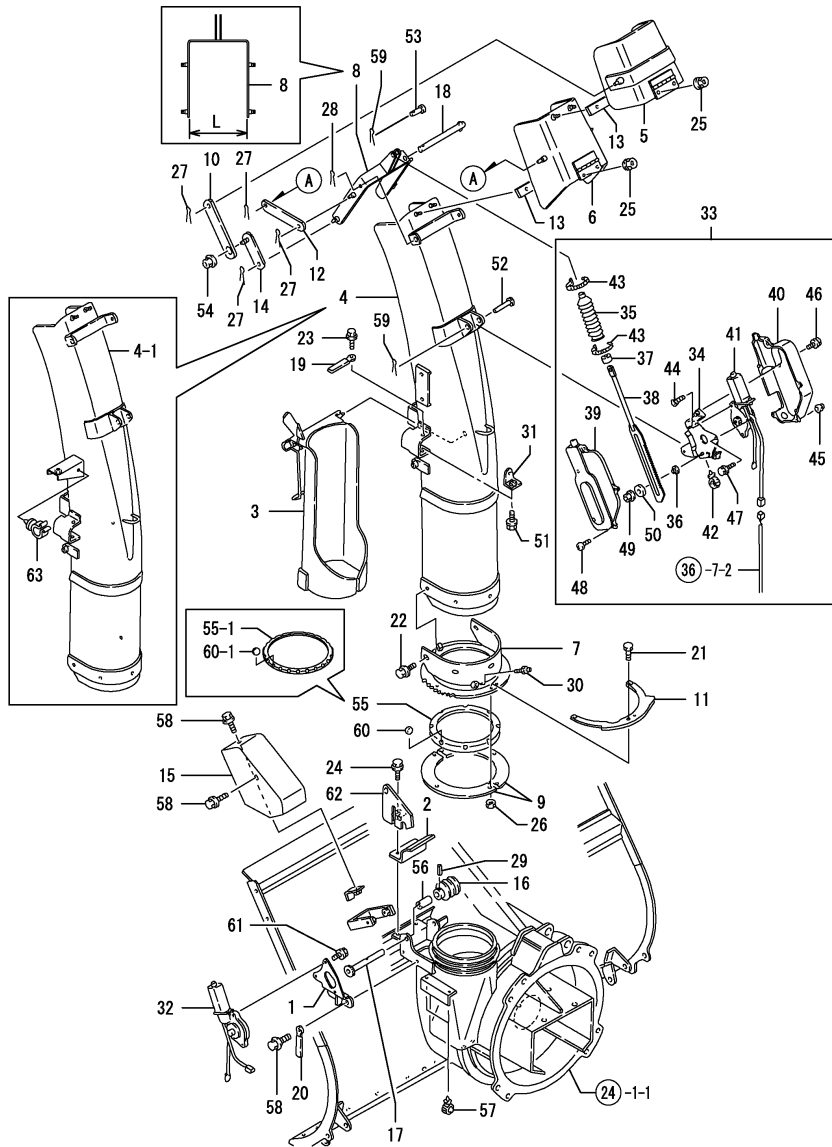
Remarks

- (1)Ref.No.4 Is Interchangeable with a set of ref.Nos.4-1,8-1,12-1 & 18-1.
- (2)L=Ref.No.8 160mm, 8-1 169mm.
- (3)Fig.24 ref.Nos.1-2,2-2 Interchangeable.

Fig.41. (25A)CHUTE(ADDITIONAL ITEMS)

(A)=YSR3120  
(B)=YSR3120A  
(C)=YSR3420A

(D)=  
(E)=  
(F)=

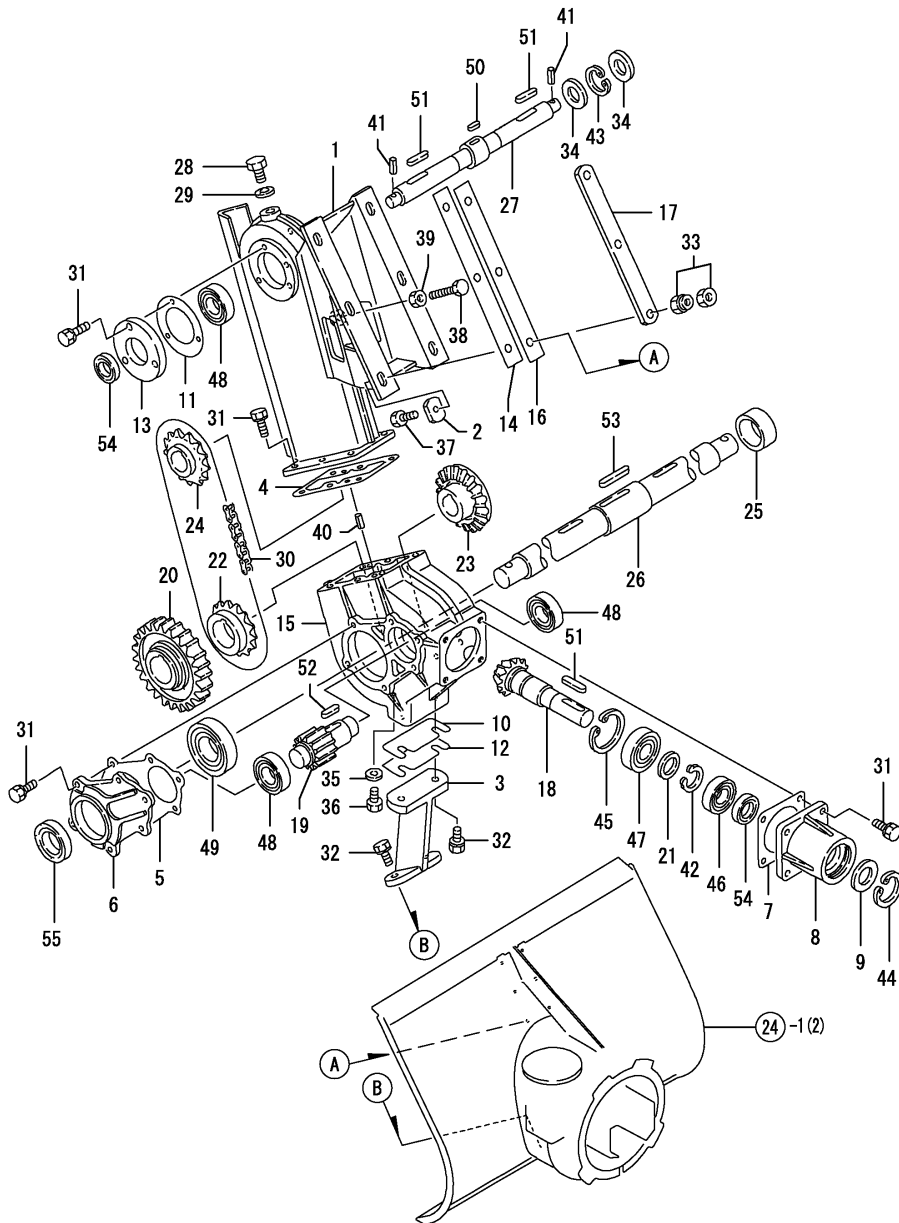


No.	Lev.	Parts No.	Description	Q'ty						I	R
				(A)	(B)	(C)	(D)	(E)	(F)		
47	2	26106-060162	BOLT, M6X 16 PLATED	1	1	1					W
		(A=F705751) (B=F705796) (C=F705821)									
48	2	1N1600-81450	SCREW M 5X 12	5	5	5					W
		(A=F705751) (B=F705796) (C=F705821)									
49	2	26367-060002	NUT, M6	2	2	2					W
		(A=F705751) (B=F705796) (C=F705821)									
50	2	22157-060000	WASHER, 6	2	2	2					W
		(A=F705751) (B=F705796) (C=F705821)									
51	1	26106-080122	BOLT, M8X 12 PLATED	1	1	1					W
		(A=F705751) (B=F705796) (C=F705821)									
52	1	1N1600-81470	PIN 8X55,ROUND HEAD	1	1	1					W
		(A=F705751) (B=F705796) (C=F705821)									
53	1	1N1600-79550	PIN 8X25,ROUND HEAD	1	1	1					W
		(A=F705751) (B=F705796) (C=F705821)									
54	1	26367-080002	NUT, M8	2	2	2					W
		(A=F705751) (B=F705796) (C=F705821)									
55	1	1N3163-39050	RETAINER,BALL	1	1	1					W
		(A=F705751) (B=F705796) (C=F705821)									
55-1	1	1N3163-39051	RETAINER,BALL	1	1	1					F 3
		(A=F902404) (B=F902424) (C=F902454)									
56	1	1N3153-49030	COLLAR,WORM	1	1	1					W
		(A=F705751) (B=F705796) (C=F705821)									
57	1	1N1600-81440	CLIP C-4397,CABLE	2	2	2					W
		(A=F705751) (B=F705796) (C=F705821)									
58	1	26106-080162	BOLT, M8X 16 PLATED	5	5	5					W
		(A=F705751) (B=F705796) (C=F705821)									
59	1	22417-250160	PIN, COTTER 2.5X16	2	2	2					W
		(A=F705751) (B=F705796) (C=F705821)									
60	1	1N1600-81480	BALL 8.5,STEEL	8	8	8					W
		(A=F705751) (B=F705796) (C=F705821)									
60-1	1	1N1600-81480	BALL 8.5,STEEL	24	24	24					K 3
		(A=F902404) (B=F902424) (C=F902454)									
61	1	26106-060162	BOLT, M6X 16 PLATED	3	3	3					W
		(A=F705751) (B=F705796) (C=F705821)									
62	1	1N3243-89030	COVER,MAINTENANCE	1	1	1					W
		(A=F705751) (B=F705796) (C=F705821)									
63	1	1N1600-81440	CLIP C-4397,CABLE	1	1	1					W
		(A=F034231) (B=F034251) (C=F034266)									

Remarks

- (1)Ref.No.4 Is Interchangeable with a set of ref.Nos.4-1,8-1,12-1 & 18-1.
- (2)L=Ref.No.8 160mm, 8-1 169mm.
- (3)Fig.24 ref.Nos.1-2,2-2 Interchangeable.

Fig.26. GEAR CASE

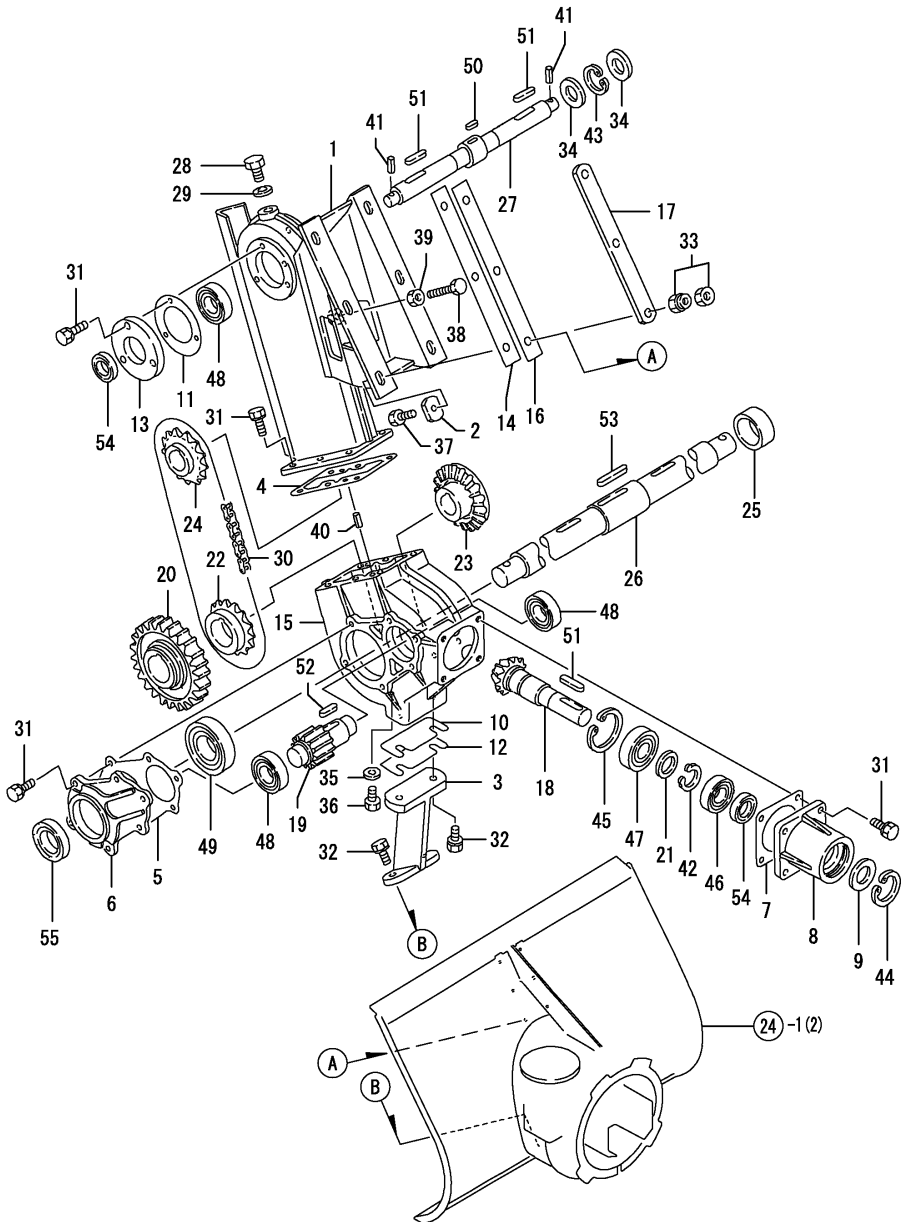


(A)=YSR3120  
(B)=YSR3120A  
(C)=YSR3420A

(D)=  
(E)=  
(F)=

No.	Lev.	Parts No.	Description	Q'ty						I	R
				(A)	(B)	(C)	(D)	(E)	(F)		
1	1	1N1673-16000	CASE,CHAIN	1	1	1					
2	1	1N1863-19010	WASHER,CHAIN CASE	6	6	6					
3	1	1N1600-75170	SUPPORT,GEAR CASE	1	1	1					
4	1	1N1610-70020	PACKING,AUGER GR.CS.	1	1	1					
5	1	1N1610-70030	PACKING,GR.CS.COVER	2	2	2					
6	1	1N1633-19041	COVER,AUGER GEAR CS.	2	2	2					
7	1	1N1610-70040	PACKING,INPUT HOUSG	1	1	1					
8	1	1N1763-19060	HOUSING,INPUT	1	1	1					
9	1	1N1610-70070	PLATE,PROTECTIVE	1	1	1					
10	1	1N1610-70210	LINER 2.0,GEAR CASE	1	1	1					
11	1	1N1673-19080	PACKING,UPR.ROTOR CV	2	2	2					
12	1	1N1610-70220	LINER 0.6,GEAR CASE	3	3	3					
13	1	1N1673-19090	COVER,UPPER ROTOR	2	2	2					
14	1	1N1633-19110	LINER 1.0,CHN.CS.ADJ	2	2	2					
15	1	1N1673-19110	CASE,AUGER GEAR	1	1	1					
16	1	1N1633-19120	LINER 2.0,CHN.CS.ADJ	5	5	5					
17	1	1N1633-19130	WASHER,SPACER	2	2	2					
18	1	1N3243-29010	GEAR M3X14,BEVEL	1	1	1					
19	1	1N1610-70100	GEAR M3.5X12,SPUR	1	1	1					
20	1	1N1610-70110	GEAR M3.5X34,SPUR	1	1	1					
21	1	1N1763-29050	WASHER 28X40X2,THRST	1	1	1					
22	1	1N1633-29070	SPROCKET 40X18,LOWER	1	1	1					
23	1	1N1763-29070	GEAR M3X33,BEVEL	1	1	1					
24	1	1N1633-29080	SPROCKET 40X18,UPPER	1	1	1					
25	1	1N1633-29090	COLLAR 40X19	1	1	1					
26	1	1N1853-49010	SHAFT,AUGER	1	1	1					
27	1	1N3243-49010	SHAFT,UPR.STG.ROTARY	1	1	1					
28	1	1N1689-19010	CAP,OIL	1	1	1					
29	1	1N1689-19020	PACKING,OIL CAP	1	1	1					
30	1	1N1679-19110	CHAIN 40X78,ROLLER	1	1	1					
31	1	1N1600-73590	BOLT W/SP,SM.PRECORD	28	28	28					
32	1	1N1600-78890	BOLT M10X30,SM.SPRG	4	4	4					
33	1	1N1600-78920	NUT M10,HARD LOCK	6	6	6					
34	1	1N1600-78980	WASHER 18X30X3.2,RD.	4	4	4					
35	1	1N1600-77650	PACKING 10X18X2,RD.	1	1	1					
36	1	26207-100162	BOLT M10X 16 PLATED	1	1	1					
37	1	26116-100402	BOLT, M10X 40 PLATED	6	6	6					
38	1	1N1600-74640	BOLT 10X65,FULL THRD	1	1	1					
39	1	26717-100002	NUT, M10	1	1	1					
40	1	22351-060016	PIN, SPRING 6.0X16	2	2	2					
41	1	22351-060025	PIN, SPRING 6.0X25	2	2	2					
42	1	22242-000280	RING, 28	1	1	1					
43	1	22252-000300	RING, 30	2	2	2					
44	1	22252-000450	RING, 45	1	1	1					
45	1	22252-000520	RING, 52	1	1	1					
46	1	24101-060054	BEARING, BALL 6005	1	1	1					
47	1	1N1600-77730	BEARING 60/28	1	1	1					
48	1	24101-062054	BEARING, BALL 6205	4	4	4					
49	1	24101-062074	BEARING, BALL 6207	2	2	2					
50	1	1N1600-71960	KEY 7X7X23 RR,FEATHR	1	1	1					
51	1	1N1600-72000	KEY 7X7X33 SS,FEATHR	3	3	3					

Fig.26. GEAR CASE



(A)=YSR3120  
 (B)=YSR3120A  
 (C)=YSR3420A

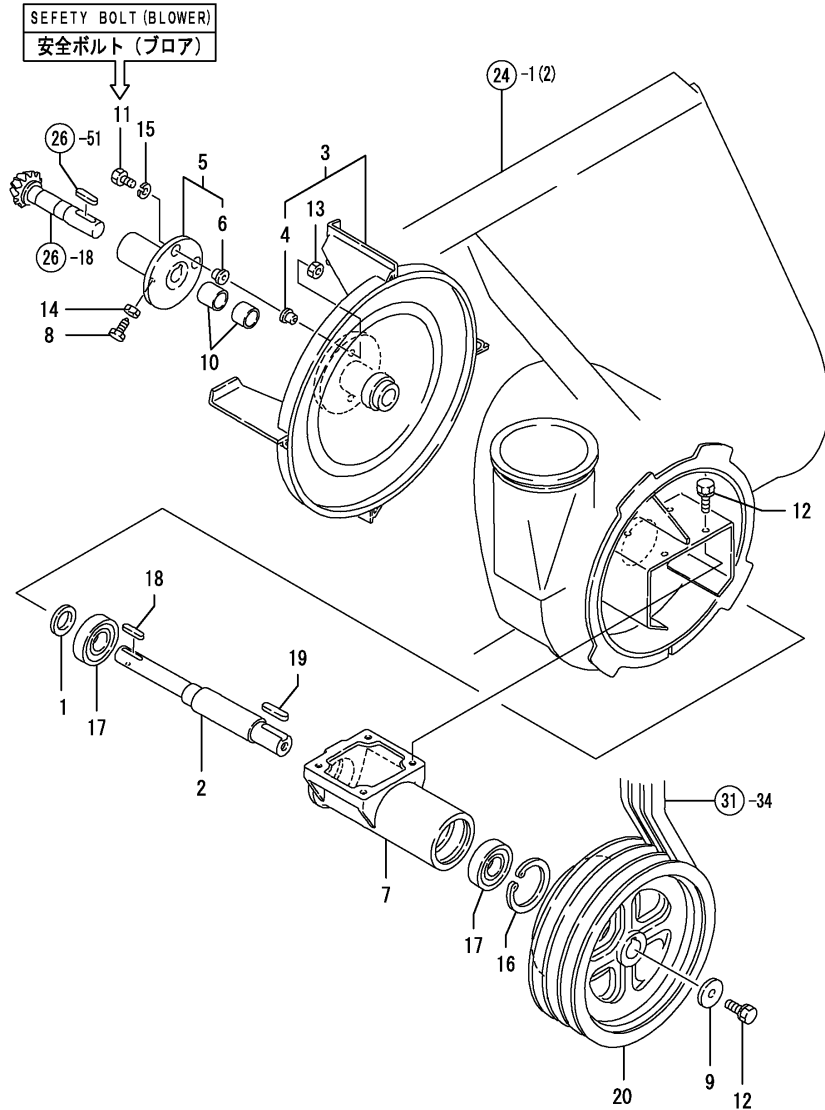
(D)=  
 (E)=  
 (F)=

No.	Lev.	Parts No.	Description	Q'ty						I	R
				(A)	(B)	(C)	(D)	(E)	(F)		
52	1	1N1600-72040	KEY 8X7X30 RR,FEATHR	1	1	1					
53	1	1N1600-72130	KEY 12X8X52 RR,FTHR.	1	1	1					
54	1	24421-254008	SEAL, OIL TC254008	3	3	3					
55	1	24421-355511	SEAL, OIL TC355511	2	2	2					

Fig.27. BLOWER

(A)=YSR3120  
(B)=YSR3120A  
(C)=YSR3420A

(D)=  
(E)=  
(F)=

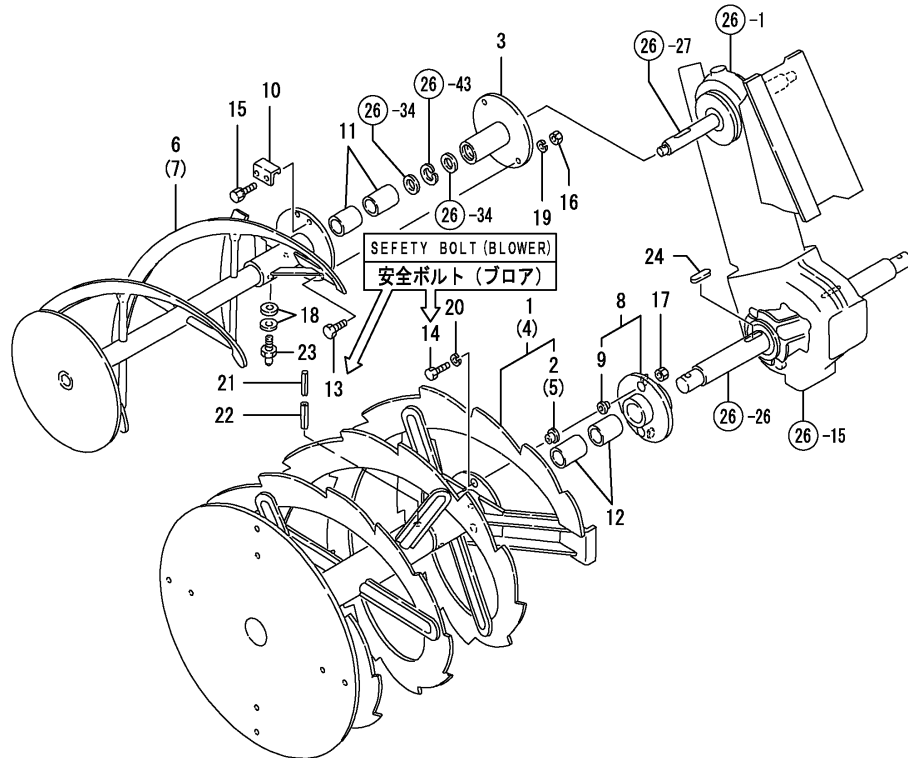


No.	Lev.	Parts No.	Description	Q'ty						I	R
				(A)	(B)	(C)	(D)	(E)	(F)		
1	1	1N1600-78830	COLLAR 25X4.5	1	1	1					
2	1	1N3243-49020	SHAFT,BLOWER	1	1	1					
3	1	1N3103-61000	BLOWER COMPL.	1	1	1					
4	2	1N1633-59010	BUSH	2	2	2					
5	1	1N3103-62000	JOINT COMP.,AUGER	1	1	1					
6	2	1N1633-59010	BUSH	2	2	2					
7	1	1N3243-69010	HOUSING,BLOWER SHAFT	1	1	1					
8	1	1N1600-74650	BOLT 10X30,MACHINE	1	1	1					
9	1	1N1600-74550	WASHER 10X40X4.5,RD.	1	1	1					
9-1	1	1N1600-74890	WASHER 10X35X4.5,RD.	1	1	1					R
		(A=F603540) (B=F603570) (C=F603590)									
10	1	1N1600-79300	BUSH BM2530FB	2	2	2					
11	1	26207-100304	BOLT, M10X 30 PLATED	1	1	1					
12	1	26013-100252	BOLT, M10X 25	5	5	5					
13	1	26707-100002	NUT, M10	1	1	1					
14	1	26717-100002	NUT, M10	1	1	1					
15	1	22217-100000	WASHER, SPRING 10	1	1	1					
16	1	22252-000720	RING, 72	1	1	1					
17	1	24104-063064	BEARING, BALL 6306UU	2	2	2					
18	1	1N1600-72000	KEY 7X7X33 SS,FEATHR	1	1	1					
19	1	1N1600-79400	KEY 8X7X40S	1	1	1					
20	1	1N3246-39010	V-PULLEY 284C-3X30	1	1	1					

Fig.28. AUGER

(A)=YSR3120  
 (B)=YSR3120A  
 (C)=YSR3420A

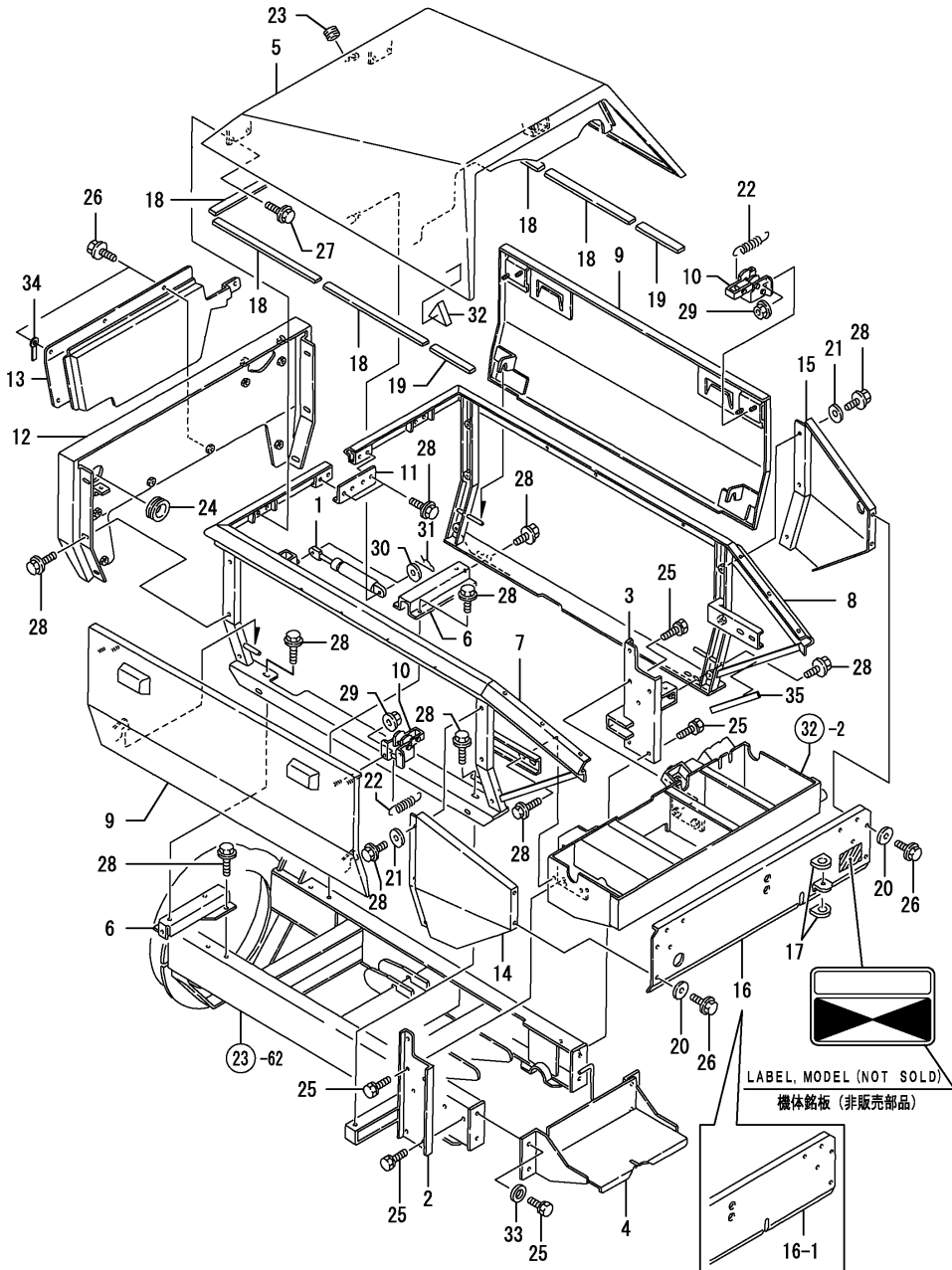
(D)=  
 (E)=  
 (F)=



No.	Lev.	Parts No.	Description	Qty						I	R
				(A)	(B)	(C)	(D)	(E)	(F)		
1	1	1N1673-51001	AUGER L,LOWER STAGE	1	1	1					
2	2	1N1633-59010	BUSH	2	2	2					
3	1	1N3243-51000	FLANGE,UPR.STG.SHEAR	2	2	2					
4	1	1N1673-52001	AUGER R,LOWER STEP	1	1	1					
5	2	1N1633-59010	BUSH	2	2	2					
6	1	1N1600-75810	AUGER L CMP,UPPR.STG	1	1	1					
7	1	1N1600-75820	AUGER R CMP,UPPR.STG	1	1	1					
8	1	1N1863-55000	FLANGE CMP,AUGER SHR	2	2	2					
9	2	1N1633-59010	BUSH	4	4	4					
10	1	1N1633-59030	STOPPER	2	2	2					
11	1	1N1600-79310	BUSH BM3540FB	4	4	4					
12	1	1N1600-79320	BUSH BM3550FB	4	4	4					
13	1	26117-060254	BOLT M 6X 25 PLATED	2	2	2					
14	1	26207-100304	BOLT, M10X 30 PLATED	2	2	2					
15	1	26013-080124	BOLT M 8X 12	4	4	4					
16	1	26717-060002	NUT, M6	2	2	2					
17	1	26707-100002	NUT, M10	2	2	2					
18	1	22137-060000	WASHER, 6	4	4	4					
19	1	22217-060000	WASHER, SPRING 6	2	2	2					
20	1	22217-100000	WASHER, SPRING 10	2	2	2					
21	1	22351-060045	PIN, SPRING 6.0X45	2	2	2					
22	1	22351-100045	PIN, SPRING 10.0X45	2	2	2					
23	1	1N1600-75150	NIPPLE A-MT6X1,GRS.	2	2	2					
24	1	1N1600-72080	KEY 10X8X40 RR,FTHR.	2	2	2					



Fig.29. COVERS

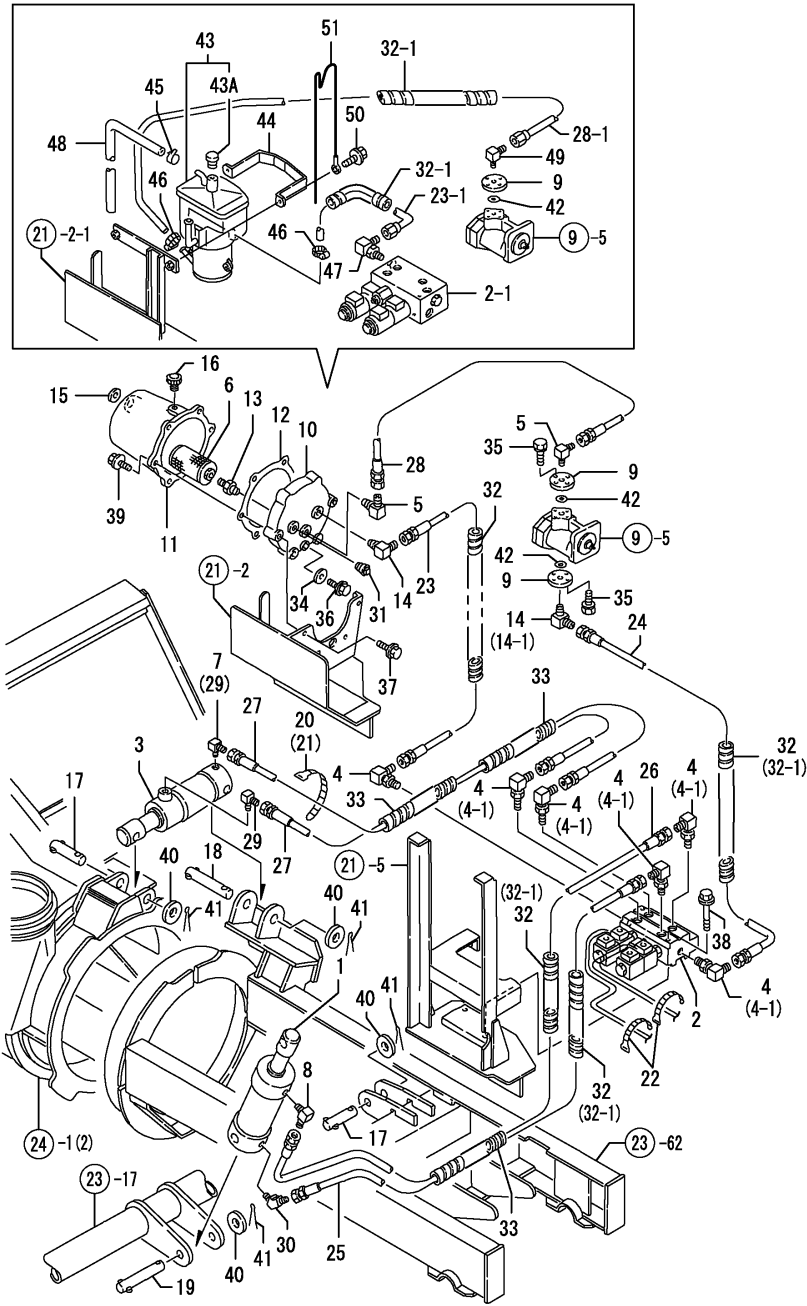


(A)=YSR3120  
(B)=YSR3120A  
(C)=YSR3420A

(D)=  
(E)=  
(F)=

No.	Lev.	Parts No.	Description	Qty						I	R
				(A)	(B)	(C)	(D)	(E)	(F)		
1	1	1N3244-00010	DAMPER 084603,GAS	1	1	1					
2	1	1N3244-12000	BRACKET L CMP.,PANEL	1	1	1					
3	1	1N3244-13000	BRACKET R CMP.,PANEL	1	1	1					
4	1	1N3244-14000	BASE COMP.,BATTERY	1	1	1					
5	1	1N3244-81000	BONNET ASSY	1	1	1					
5-1	1	1N3234-81000	BONNET COMPL.	1	1	1					R
6	1	1N3244-82000	STAY COMPL.,COVER	2	2	2					
7	1	7N3244-84000	PLATE AS,CVR.FRAME L	1	1	1					
7-1	1	7N3244-84001	PL.ASSY.,CVR.FRAME L	1	1	1					N
8	1	7N3244-85000	PLATE AS,CVR.FRAME R	1	1	1					
9	1	1N3244-86000	COVER COMPL.,SIDE	2	2	2					
10	1	1N3244-87000	STOPPER CMP.,SD.CVR.	4	4	4					
11	1	1N3244-89010	JOINT,FRAME	1	1	1					
12	1	1N3244-91000	COVER ASSY, FRONT	1	1	1					
13	1	1N3244-92000	COVER CMP.,FRNT.BELT	1	1	1					
14	1	1N3244-93000	COVER L CMP.,REAR SD	1	1	1					
15	1	1N3244-94000	COVER R CMP.,REAR SD	1	1	1					
16	1	7N3244-95000	PLATE AS.,REAR COVER	1	1	1					
16-1	1	7N1600-83300	PL.ASSY.,REAR COVER	1	1	1					S
17	1	1N3244-99010	RUBBER,HOLDER COVER	2	2	2					Z
18	1	1N3244-99020	SPONGE 6X400	6	6	6					
19	1	1N3244-99030	SPONGE 6X170	2	2	2					
20	1	22157-060000	WASHER, 6	4	4	4					
21	1	1N1600-77020	WASHER 8X20X2.3,RD.	6	6	6					
21-1	1	22157-080000	WASHER, 8	6	6	6					R
22	1	1N3249-16020	SPRING 9.5X42,COILED	4	4	4					
23	1	1N1600-74140	BUSH BSB-21,RUBBER	1	1	1					
24	1	1N1600-77670	BUSH BW-32-2,RUBBER	1	1	1					
25	1	26013-100252	BOLT, M10X 25	14	14	14					
26	1	26106-060122	BOLT, M6X 12 PLATED	9	9	9					
27	1	26106-060162	BOLT, M6X 16 PLATED	4	4	4					
28	1	26106-080162	BOLT, M8X 16 PLATED	32	32	32					
29	1	26367-060002	NUT, M6	8	8	8					
30	1	22137-080000	WASHER, 8	2	2	2					
31	1	22372-080000	PIN, SNAP 8	2	2	2					
32	1	1N1600-81540	RUBBER,BONNET	2	2	2					W
33	1	22137-100000	WASHER, 10	4	4	4					W
34	1	1N1600-75120	CLAMP 8X80,CORD	1	1	1					W
35	1	1N3248-29030	SPONGE 25X100	1	1	1					W

Fig.30. HYDRAULIC PIPING



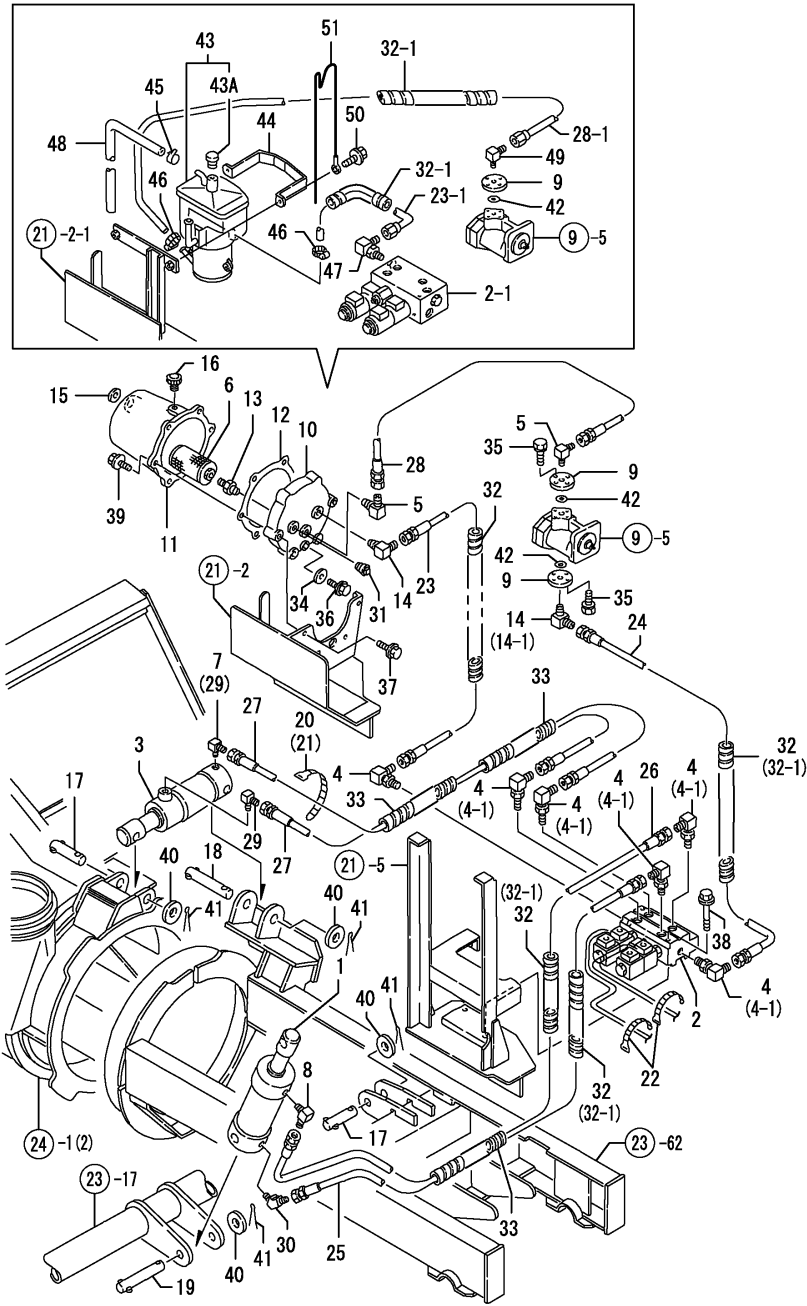
(A)=YSR3120  
(B)=YSR3120A  
(C)=YSR3420A

(D)=  
(E)=  
(F)=

No.	Lev.	Parts No.	Description	Qty						I	R
				(A)	(B)	(C)	(D)	(E)	(F)		
1	1	1N3075-00010	CYLINDER 60X115	1	1	1					
2	1	1N3245-00010	VALVE SHU95110	1	1	1					
2-1	1	1N3245-00011	VALVE SHU96053	1	1	1					S
3	1	(A=F603540) 1N1675-00050 (B=F603570) (C=F603590)	CYLINDER 50X60	1	1	1					
4	1	1N3245-19010	ELBOW PF1/4XPF1/4	6	6	6					
4-1	1	1N3245-19010	ELBOW PF1/4XPF1/4	5	5	5					K
4-2	1	(A=F603540) 1N3245-19040 (B=F603570) (C=F603590)	ELBOW PF1/4XPF1/4	5	5	5					N
5	1	(A=F902404) 1N3075-99010 (B=F902424) (C=F902454) (A=F603540) (B=F603570) (C=F603590)	ELBOW 90 1/2X3/8	2	2	2					Z
6	1	(A=F603540) 1N1886-72000 (B=F603570) (C=F603590)	FILTER NSP-03,SUC.	1	1	1					Z
7	1	1N1896-79010	ELBOW,W/THROTTLE		1	1					
7-1	1	(A=F603540) 1N1600-75020 (B=F603570) (C=F603590)	ELBOW 90 302204		1	1					S
8	1	1N3106-79010	ELBOW 1/4,SPEC.90	1	1	1					
9	1	1N1886-79020	FLANGE,HYDRAULIC	2	2	2					
10	1	(A=F603540) 1N1886-79030 (B=F603570) (C=F603590)	PLATE,OIL TANK	1	1	1					Z
11	1	(A=F603540) 1N1886-79040 (B=F603570) (C=F603590)	CASE,OIL TANK	1	1	1					Z
12	1	(A=F603540) 1N1886-79050 (B=F603570) (C=F603590)	PACKING,OIL TANK	1	1	1					Z
13	1	(A=F603540) 1N1886-79060 (B=F603570) (C=F603590)	NIPPLE SNP03-000J	1	1	1					Z
14	1	1N1886-79080	ELBOW 90 1/4X3/8	2	2	2					
14-1	1	(A=F603540) 1N1886-79080 (B=F603570) (C=F603590)	ELBOW 90 1/4X3/8	1	1	1					K
15	1	(A=F603540) 1N1886-79090 (B=F603570) (C=F603590)	GAUGE B 308,OIL	1	1	1					Z
16	1	(A=F603540) 1N1600-75060 (B=F603570) (C=F603590)	CAP,OIL	1	1	1					Z
17	1	1N1600-74380	PIN 20X75	2	2	2					
18	1	1N1600-74660	PIN 20X100,SLOTTED	1	1	1					
19	1	1N1600-74670	PIN 20X110,SLOTTED	1	1	1					
20	1	1N1600-77210	TIE RF140,REPEAT	2	2	2					
21	1	1N1600-74330	TIE RF250,REPEAT	2	2	2					
22	1	1N1600-79010	BAND 150,WIRE	2	2	2					
22-1	1	(A=F705751) 1N1600-81430 (B=F705796) (C=F705821)	BAND CV-140SW,CABLE	2	2	2					R
23	1	1N1600-79060	HOSE 1/4X400,HYDRLC.	1	1	1					
23-1	1	(A=F603540) 1N3246-71000 (B=F603570) (C=F603590)	HOSE 700,HYDRAULIC	1	1	1					S
24	1	1N1600-79070	HOSE 1/4X600,HYDRLC.	1	1	1					
25	1	1N1600-79080	HOSE 1/4X750,HYDRLC.	1	1	1					
26	1	1N1600-79090	HOSE 1/4X800,HYDRLC.	1	1	1					
27	1	1N1600-79100	HOSE 1/4X900,HYDRLC.	2	2	2					
28	1	1N1600-79110	HOSE 1/2X450,HYDRLC.	1	1	1					
28-1	1	1N3246-71000	HOSE 700,HYDRAULIC	1	1	1					S

N:Old  $\begin{matrix} \leftarrow \text{Yes} \\ \text{No} \end{matrix}$  New, Q:Old  $\begin{matrix} \leftarrow \text{No} \\ \text{Yes} \end{matrix}$  New, R:Old  $\begin{matrix} \leftarrow \text{Yes} \\ \text{No} \end{matrix}$  New, S:Old  $\begin{matrix} \leftarrow \text{No} \\ \text{Yes} \end{matrix}$  New, W:Add, Z:Discontinued, F:Interchangeable by set, K:Q'ty Change  
++ CONTINUE ++  
Copyright (C) YANMAR CO., LTD. All Rights Reserved.

Fig.30. HYDRAULIC PIPING

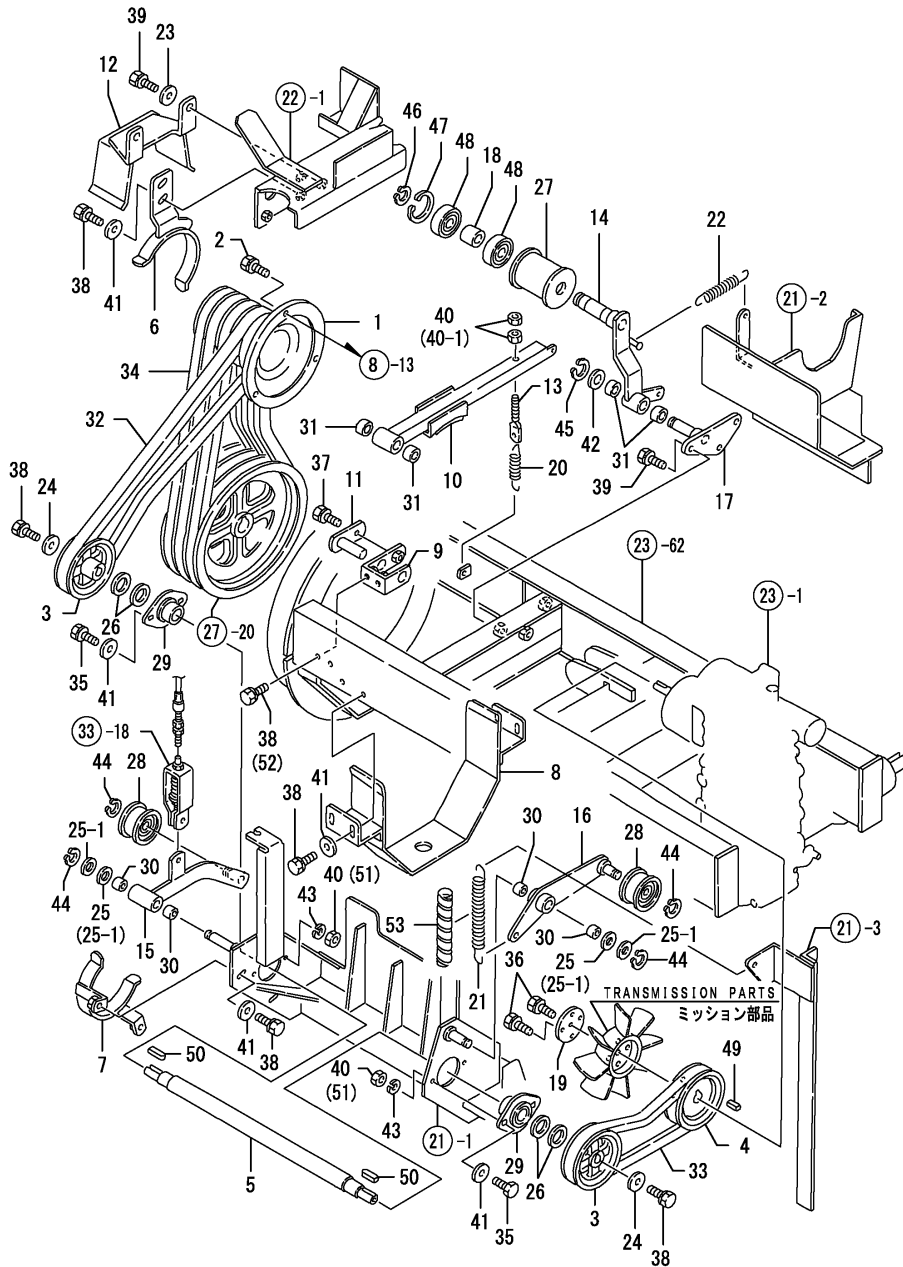


(A)=YSR3120  
(B)=YSR3120A  
(C)=YSR3420A

(D)=  
(E)=  
(F)=

No.	Lev.	Parts No.	Description	Q'ty						I	R
				(A)	(B)	(C)	(D)	(E)	(F)		
		(A=F603540) (B=F603570) (C=F603590)									
29	1	1N1600-75020	ELBOW 90 302204	2	1	1					
30	1	1N1600-74340	ELBOW 45 302404	1	1	1					
31	1	1N1600-79190	PLUG 3/8,SQUARE	1	1	1					Z
		(A=F603540) (B=F603570) (C=F603590)									
32	1	1N1600-79220	PLUMMER 15X300	4	4	4					
32-1	1	1N1600-79220	PLUMMER 15X300	5	5	5					K
		(A=F603540) (B=F603570) (C=F603590)									
32-2	1	1N1600-79220	PLUMMER 15X300	6	6	6					K
		(A=F705751) (B=F705796) (C=F705821)									
33	1	1N1600-79230	PLUMMER 25X300	3	3	3					
34	1	1N1600-74350	PACKING B	1	1	1					Z
		(A=F603540) (B=F603570) (C=F603590)									
35	1	26106-060252	BOLT, M6X 25 PLATED	8	8	8					
36	1	26106-080122	BOLT, M8X 12 PLATED	1	1	1					Z
		(A=F603540) (B=F603570) (C=F603590)									
37	1	26106-080162	BOLT, M8X 16 PLATED	4	4	4					Z
		(A=F603540) (B=F603570) (C=F603590)									
38	1	26106-080802	BOLT, M8X 80 PLATED	2	2	2					
39	1	26106-060202	BOLT, M6X 20 PLATED	6	6	6					Z
		(A=F603540) (B=F603570) (C=F603590)									
40	1	22137-200000	WASHER, 20	4	4	4					
41	1	22417-400320	PIN, COTTER 4.0X32	4	4	4					
42	1	24311-000200	O-RING, 1AP20.0	2	2	2					
43	1	1N1600-77790	TANK, LUB OIL	1	1	1					W
		(A=F603540) (B=F603570) (C=F603590)									
43A	2	1N1600-81520	CAP	1	1	1					W
		(A=F603540) (B=F603570) (C=F603590)									
44	1	1N3151-69230	BAND	1	1	1					W
		(A=F603540) (B=F603570) (C=F603590)									
45	1	1N1600-78060	CLIP 10,HOSE	1	1	1					W
		(A=F603540) (B=F603570) (C=F603590)									
46	1	1N1600-77310	BAND 19,UNIVERSAL	2	2	2					W
		(A=F603540) (B=F603570) (C=F603590)									
47	1	1N3245-19030	ELBOW PF1/4XPF 1/2	1	1	1					W
		(A=F603540) (B=F603570) (C=F603590)									
48	1	1N1600-80610	HOSE 8X350	1	1	1					W
		(A=F603540) (B=F603570) (C=F603590)									
49	1	1N3246-79010	ELBOW PT3/8XPF1/2	1	1	1					W
		(A=F603540) (B=F603570) (C=F603590)									
50	1	26106-080202	BOLT, M8X 20 PLATED	2	2	2					W
		(A=F603540) (B=F603570) (C=F603590)									
51	1	1N3245-91000	EARTH CMP	1	1	1					W
		(A=F902404) (B=F902424) (C=F902454)									

Fig.31. POWER TRANSMISSION



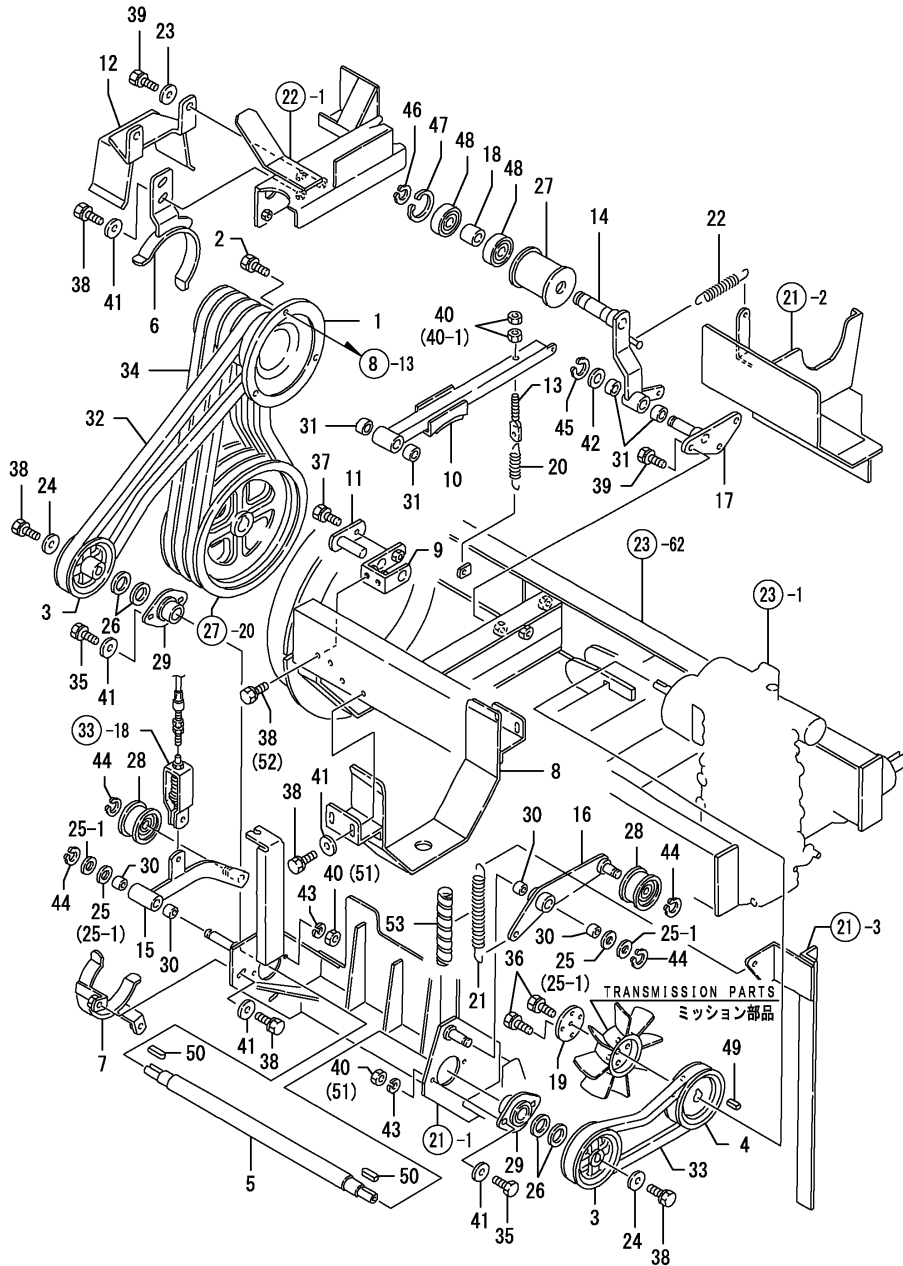
(A)=YSR3120  
(B)=YSR3120A  
(C)=YSR3420A

(D)=  
(E)=  
(F)=

No.	Lev.	Parts No.	Description	Qty						I	R
				(A)	(B)	(C)	(D)	(E)	(F)		
1	1	1N3240-29010	PULLEY	1	1	1					
2	1	1N1600-74760	BOLT 12X30 W/SP.WSHR	3	3	3					
2-1	1	26013-120302	BOLT, M12X 30	3	3	3					R
		(A=F603540) (B=F603570) (C=F603590)									
3	1	1N3246-39020	V-PULLEY 113BX20	2	2	2					
4	1	1N3246-39030	V-PULLEY 113BX15	1	1	1					
5	1	1N3246-49010	SHAFT, COUNTER	1	1	1					
6	1	1N3246-51000	STOPPER A,ENG.BELT	1	1	1					
7	1	1N3246-53000	STOPPER,COUNTER BELT	1	1	1					
8	1	1N3246-54000	STOPPER,BLOWER BELT	1	1	1					
9	1	1N3246-55000	BRACKET COMP.,BRAKE	1	1	1					
10	1	1N3246-56000	BRAKE COMP.,BLOWER	1	1	1					
11	1	1N3246-57000	SHAFT COMP.,BRAKE	1	1	1					
12	1	1N3246-58000	STOPPER A COMP.,BELT	1	1	1					
13	1	1N1636-59010	SCREW,TENSION ADJUST	1	1	1					
14	1	1N3246-61000	ARM CMP,SNW.RM.CLTCH	1	1	1					
15	1	1N3246-62000	ARM CMP,TRAVEL CLTCH	1	1	1					
16	1	1N3246-63000	ARM CMP,COUNTER TENS	1	1	1					
17	1	1N3246-64000	SHAFT CMP,BLWR.TENS	1	1	1					
18	1	1N3246-69010	COLLAR 25X40	1	1	1					
19	1	1N1600-78840	PLATE 45.7, FIXING	1	1	1					
20	1	1N1599-16030	SPRING 13.4X70,COIL.	1	1	1					
20-1	1	1N1619-16010	SPRING, TENSION	1	1	1					P
		(A=F024681) (B=F024691) (C=F024701)									
21	1	1N1600-79240	SPRING, RETURN	1	1	1					
21-1	1	1N3249-16040		1	1	1					N
		(A=F902404) (B=F902424) (C=F902454)									
22	1	1N1599-16040	SPRING 16.5X125,COIL	1	1	1					
22-1	1	1N3249-16050		1	1	1					N
		(A=F902404) (B=F902424) (C=F902454)									
23	1	1N1600-77280	WASHER 10X30X3.2,RD.	2	2	2					
23-1	1	22157-100000	WASHER, 10	2	2	2					R
		(A=F603540) (B=F603570) (C=F603590)									
24	1	1N1600-74730	WASHER 8X30X4.5,RD.	2	2	2					
24-1	1	1N1600-80570	WASHER 8X35X4.5,RD.	2	2	2					R
		(A=F603540) (B=F603570) (C=F603590)									
25	1	1N1600-78970	WACHER 15X25X2.3	2	2	2					
25-1	1	1N1600-83180	WASHER 15X23X1.2,RD.	4	4	4					R
		(A=F902404) (B=F902424) (C=F902454)									
26	1	1N1600-78990	WASHER 20X30X2.3,RD.	4	4	4					
27	1	1N1600-79250	PULLEY 72-3,TENSION	1	1	1					
28	1	1N1600-79260	PULLEY 70TB1,TENSION	2	2	2					
29	1	1N1600-75270	FLANGE UNIT,RHOMBIC	2	2	2					
30	1	1N1600-78350	BUSH BM1515FB	4	4	4					
31	1	1N1600-78440	BUSH BM2015FB	4	4	4					
32	1	1N1600-77460	BELT LB38,ORANGE	1	1	1					
32-1	1	1N1600-81830		1	1	1					P
		(A=F902404) (B=F902424) (C=F902454)									
33	1	1N1600-78610	BELT LB43,ORANGE	1	1	1					
33-1	1	1N1600-81840		1	1	1					P
		(A=F902404) (B=F902424) (C=F902454)									

N:Old  $\begin{matrix} \text{Yes} \\ \text{No} \end{matrix}$  New, Q:Old  $\begin{matrix} \text{No} \\ \text{Yes} \end{matrix}$  New, R:Old  $\begin{matrix} \text{Yes} \\ \text{No} \end{matrix}$  New, S:Old  $\begin{matrix} \text{No} \\ \text{Yes} \end{matrix}$  New, W:Add, Z:Discontinued, F:Interchangeable by set, K:Q'ty Change  
 ++ CONTINUE ++  
 Copyright (C) YANMAR CO., LTD. All Rights Reserved.

Fig.31. POWER TRANSMISSION

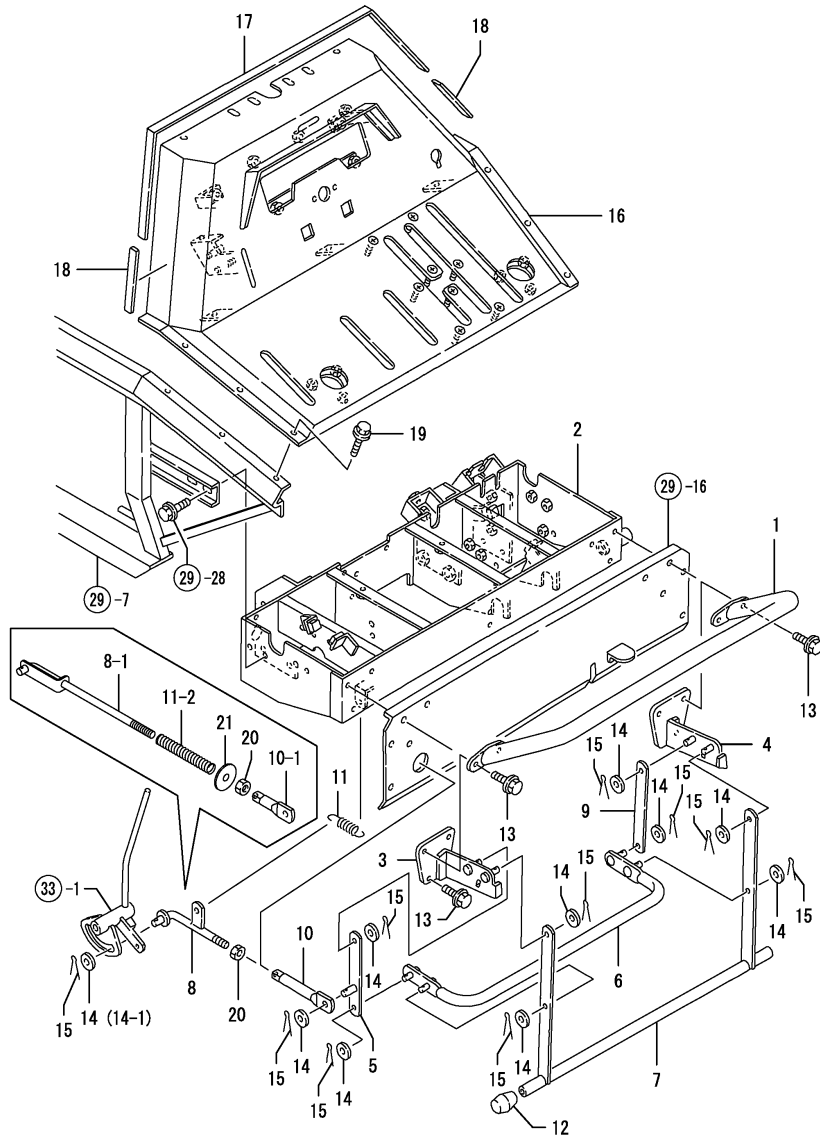


(A)=YSR3120  
(B)=YSR3120A  
(C)=YSR3420A

(D)=  
(E)=  
(F)=

No.	Lev.	Parts No.	Description	Qty						I	R
				(A)	(B)	(C)	(D)	(E)	(F)		
34	1	1N1600-78620	BELT LC52,ORANGE	3	3	3					
34-1	1	1N1600-81850		3	3	3					P
		(A=F902404) (B=F902424) (C=F902454)									
35	1	1N1600-74740	BOLT 8X25	4	4	4					
35-1	1	26106-080252	BOLT, M8X 25 PLATED	4	4	4					R
		(A=F603540) (B=F603570) (C=F603590)									
36	1	26013-060122	BOLT, M6X 12	5	5	5					
36-1	1	26106-060122	BOLT, M6X 12 PLATED	5	5	5					R
		(A=F603540) (B=F603570) (C=F603590)									
37	1	26013-060162	BOLT, M6X 16	1	1	1					
37-1	1	26106-060162	BOLT, M6X 16 PLATED	1	1	1					R
		(A=F603540) (B=F603570) (C=F603590)									
38	1	1N1600-74520	BOLT 8X20 W/SP.WSHR.	12	12	12					
38-1	1	26106-080202	BOLT, M8X 20 PLATED	12	12	12					R
		(A=F603540) (B=F603570) (C=F603590)									
38-2	1	26106-080202	BOLT, M8X 20 PLATED	10	10	10					K
		(A=F705751) (B=F705796) (C=F705821)									
39	1	26013-100252	BOLT, M10X 25	5	5	5					
40	1	26717-080002	NUT, M8	6	6	6					
40-1	1	26717-080002	NUT, M8	2	2	2					K
		(A=F603540) (B=F603570) (C=F603590)									
41	1	22137-080000	WASHER, 8	12	12	12					Z
		(A=F603540) (B=F603570) (C=F603590)									
42	1	22137-200000	WASHER, 20	1	1	1					
43	1	22217-080000	WASHER, SPRING 8	4	4	4					Z
		(A=F603540) (B=F603570) (C=F603590)									
44	1	22242-000150	RING, 15	4	4	4					
45	1	22242-000200	RING, 20	1	1	1					
46	1	22242-000250	RING, 25	1	1	1					
47	1	22252-000620	RING, 62	1	1	1					
48	1	24104-063054	BEARING, BALL 6305UU	2	2	2					
49	1	22551-050250	KEY, 5X 25	1	1	1					
50	1	1N1600-79700	KEY 6X6X20S	2	2	2					
51	1	26367-080002	NUT, M8	4	4	4					W
		(A=F603540) (B=F603570) (C=F603590)									
52	1	26106-080162	BOLT, M8X 16 PLATED	2	2	2					W
		(A=F705751) (B=F705796) (C=F705821)									
53	1	1N1600-79230	PLUMMER 25X300	1	1	1					W
		(A=F802001) (B=F802121) (C=F802021)									

Fig.32. PANEL & HANDLE



(A)=YSR3120  
(B)=YSR3120A  
(C)=YSR3420A

(D)=  
(E)=  
(F)=

No.	Lev.	Parts No.	Description	Qty						I	R
				(A)	(B)	(C)	(D)	(E)	(F)		
1	1	1N3247-11000	HANDLE COMPL.	1	1	1					
2	1	1N3247-22000	RELEY BOX	1	1	1					
3	1	1N3077-22000	BRACKET L,EMG.STP.LV	1	1	1					
4	1	1N3077-23000	BRACKET R,EMG.STP.LV	1	1	1					
5	1	1N3077-26000	LINK L CMP,STP.LEVER	1	1	1					
6	1	1N3247-61000	GUARD COMP.,UPPER	1	1	1					
7	1	1N3247-62000	LEVER L CMP,SD.CLTCH	1	1	1					
8	1	1N3247-65000	ROD COMP.,ADJUSTING	1	1	1					
8-1	1	1N3247-66000	ROD COMP.,ADJUSTING	1	1	1					F 1
		(A=F003501) (B=F003521) (C=F003549)									
9	1	1N3077-69130	LINK,STOP LEVER	1	1	1					
10	1	1N1833-39030	ROD 105,CHUTE LINK	1	1	1					
10-1	1	1N1600-83190		1	1	1					F 1
		(A=F003501) (B=F003521) (C=F003549)									
11	1	1N1600-71560	COIL SPRING 12.5X50	1	1	1					
11-1	1	1N1600-81600	COIL SPRING 12.5X45	1	1	1					N
		(A=F802001) (B=F802121) (C=F802021)									
11-2	1	1N3247-69050		1	1	1					F 1
		(A=F003501) (B=F003521) (C=F003549)									
12	1	1N1600-77700	FOOT C-31-4,RUBBER	2	2	2					
13	1	26106-080252	BOLT, M8X 25 PLATED	6	6	6					
14	1	22137-080000	WASHER, 8	10	10	10					
14-1	1	22137-080000	WASHER, 8	1	1	1					K
		(A=F802001) (B=F802121) (C=F802021)									
14-2	1	1N3247-39020	WASHER 8X25X1.6,RD.	1	1	1					P
		(A=F012821) (B=F012851) (C=F012891)									
15	1	22417-250160	PIN, COTTER 2.5X16	10	10	10					
16	1	7N3248-21000	PLATE AS,INDIC.PANEL	1	1	1					
17	1	1N3248-29010	SPONGE 15X840	1	1	1					
17-1	1	1N3248-29011	SPONGE 15X760	1	1	1					N
		(A=F902404) (B=F902424) (C=F902454)									
18	1	1N3248-29020	RUBBER 15X100	2	2	2					
18-1	1	1N3248-29021	RUBBER 15X150	2	2	2					S
		(A=F802001) (B=F802121) (C=F802021)									
19	1	26106-060122	BOLT, M6X 12 PLATED	6	6	6					
20	1	26717-080002	NUT, M8	1	1	1					
21	1	1N3247-69060		1	1	1					W 1
		(A=F003501) (B=F003521) (C=F003549)									

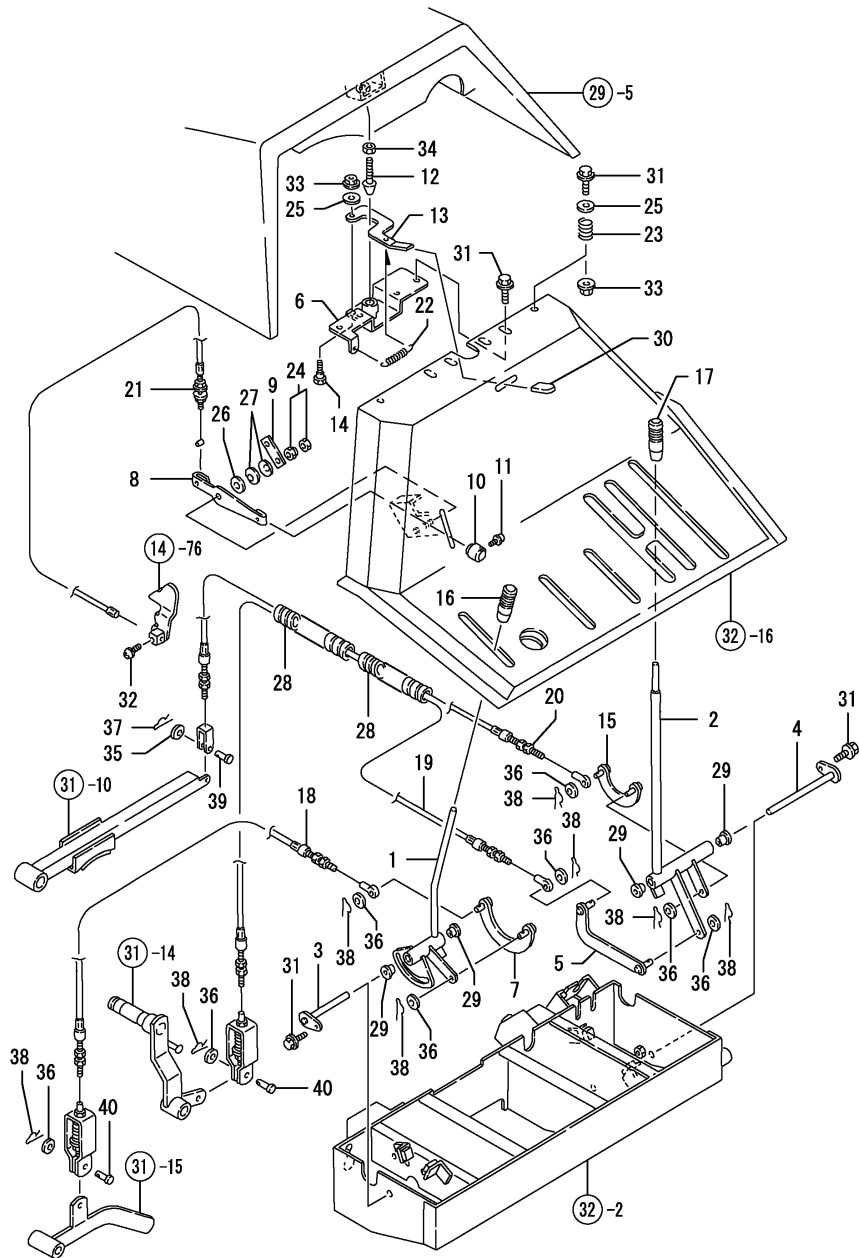
Remarks

(1) REF.NOS.8,10 & 11-1 IS INTERCHANGEABLE WITH A SET OF REF.NOS.8-1,10-1,11-2 & 21.

Fig.33. CONTROL LEVER

(A)=YSR3120  
(B)=YSR3120A  
(C)=YSR3420A

(D)=  
(E)=  
(F)=

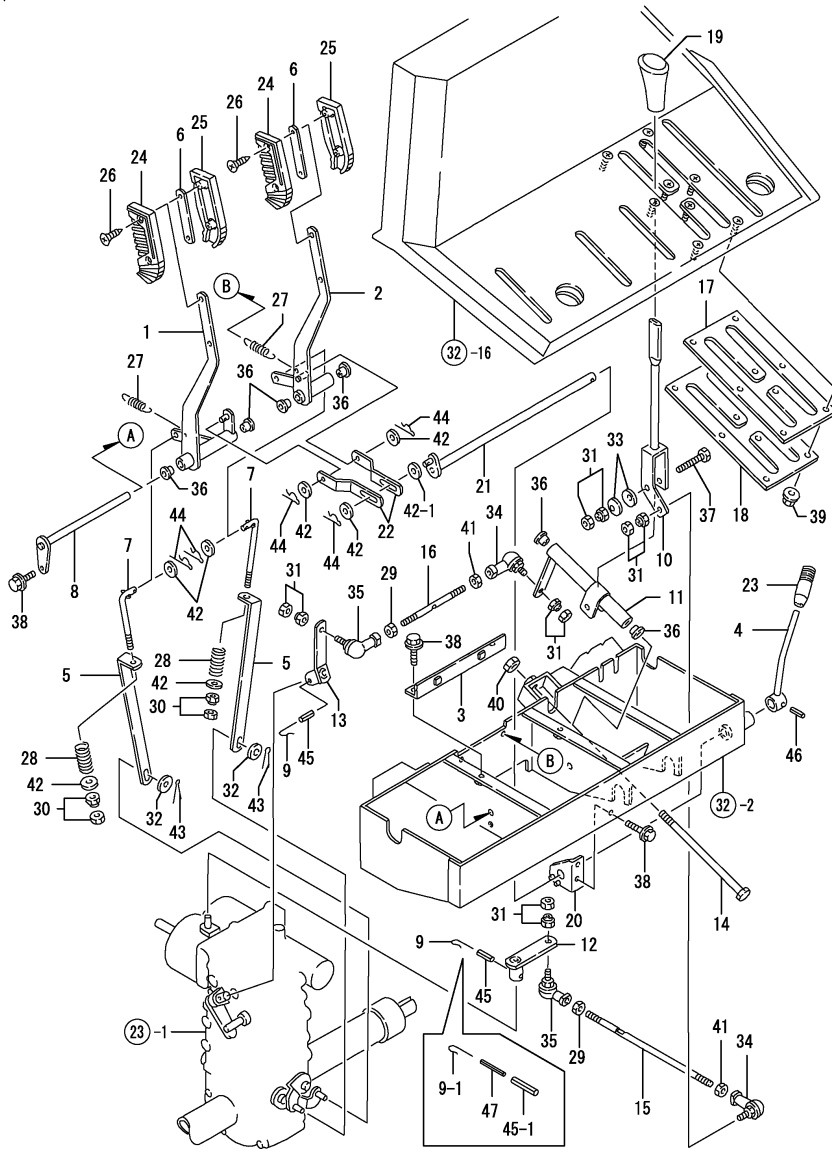


No.	Lev.	Parts No.	Description	Qty						I	R
				(A)	(B)	(C)	(D)	(E)	(F)		
1	1	1N3247-31000	LEVER CMP,TRVL.CLTCH	1	1	1					
2	1	1N3247-41000	LEVER,SNW.REMV.CLTCH	1	1	1					
3	1	1N3247-42000	PIN 100 COMP.,LEVER	1	1	1					
4	1	1N3247-43000	PIN 160 COMP.,LEVER	1	1	1					
5	1	1N3247-57000	LINK 150 COMP.,LEVER	1	1	1					
6	1	1N3247-58000	HOLDER COMP.,BONNET	1	1	1					
7	1	1N1600-78860	LINK COMP.,CLUTCH	1	1	1					
8	1	1N3247-59050	THROTTLE LEVER	1	1	1					
9	1	1N3247-59060	PLATE, THRUST	1	1	1					
10	1	1N3247-59070	KNOB,THROTTLE LEVER	1	1	1					
11	1	1N3247-59080	SCREW M4X8,SPECIAL	1	1	1					
12	1	1N3247-59090	SHAFT,BONNET HOLDER	1	1	1					
13	1	1N3247-59100	LEVER,BONNET OPEN	1	1	1					
14	1	1N3247-59110	BOLT M 6	1	1	1					
15	1	1N3077-66000	LINK COMP.,CLUTCH	1	1	1					
16	1	1N3077-69020	GRIP,CONT.LEVER RED	1	1	1					
17	1	1N3247-69020	GRIP,CONTROL LEVER	1	1	1					
18	1	1N3247-71000	WIRE,CLUTCH	1	1	1					
19	1	1N3247-72000	WIRE,SNW.REMV.CLUTCH	1	1	1					
20	1	1N3247-73000	BRAKE WIRE	1	1	1					
21	1	1N3247-74000	THROTTLE WIRE	1	1	1					
22	1	1N1600-71560	COIL SPRING 12.5X50	1	1	1					
23	1	1N3249-16010	SPRING,BONNET	1	1	1					
23-1	1	1N3249-16030	SPRING,BONNET	1	1	1					N
		(A=F705751) (B=F705796) (C=F705821)									
24	1	1N1600-78910	NUT M8,HARD LOCK	1	1	1					
25	1	1N1600-78950	WASHER 6X15X2.3,RD.	2	2	2					
25-1	1	22157-060000	WASHER, 6	2	2	2					R
		(A=F603540) (B=F603570) (C=F603590)									
26	1	1N1600-77020	WASHER 8X20X2.3,RD.	1	1	1					
26-1	1	22157-080000	WASHER, 8	1	1	1					R
		(A=F603540) (B=F603570) (C=F603590)									
27	1	1N1600-77060	SPRING H8,BELLEVILLE	2	2	2					
28	1	1N1600-79210	PLUMMER 12X200	2	2	2					
29	1	1N1600-79290	BUSH 80F-1210,FLANGE	4	4	4					
30	1	1N1600-79330	GRIP K15,LEVER	1	1	1					
31	1	26106-060162	BOLT, M6X 16 PLATED	7	7	7					
32	1	26557-040102	SCREW, M4X10	1	1	1					
33	1	26367-060002	NUT, M6	2	2	2					
34	1	26717-100002	NUT, M10	1	1	1					
35	1	22137-060000	WASHER, 6	1	1	1					
36	1	22137-080000	WASHER, 8	8	8	8					
37	1	22372-060000	PIN, SNAP 6	1	1	1					
38	1	22372-080000	PIN, SNAP 8	8	8	8					
39	1	1N1600-78230	PIN 6X20,ROUND HEAD	1	1	1					
40	1	1N1600-79380	PIN 8X22,ROUND HEAD	2	2	2					

Fig.34. CONTROL LEVER

(A)=YSR3120  
(B)=YSR3120A  
(C)=YSR3420A

(D)=  
(E)=  
(F)=



No.	Lev.	Parts No.	Description	Q'ty						I	R
				(A)	(B)	(C)	(D)	(E)	(F)		
1	1	1N3247-32000	LEVER L CMP,SD.CLTCH	1	1	1					
2	1	1N3247-33000	LEVER R CMP,SD.CLTCH	1	1	1					
3	1	1N3247-34000	STOPPER COMP.,LEVER	1	1	1					
4	1	1N1867-37000	LEVER CMP,PARK.BRAKE	1	1	1					
5	1	1N3247-39010	ROD 340,SIDE CLUTCH	2	2	2					
6	1	1N3157-39020	SPACER	2	2	2					Z
		(A=F603540) (B=F603570) (C=F603590)									
7	1	1N3157-39030	ROD 135,SIDE CLUTCH	2	2	2					
8	1	1N3247-44000	PIN 215 COMP.,LEVER	1	1	1					
9	1	1N1600-78850	WIRE 1.6X100	2	2	2					
9-1	1	1N3247-59130	CAP 1.2X100	2	2	2					P
		(A=F023941) (B=F023961) (C=F023981)									
10	1	1N3247-51000	LEVER COMPL.,CHANGE	1	1	1					
11	1	1N3247-52000	BOSS COMP.,CHG.LEVER	1	1	1					
12	1	1N3247-53000	ARM COMPL.,CHANGE	1	1	1					
13	1	1N3247-54000	ARM COMP.,SUB-CHANGE	1	1	1					
14	1	1N3247-55000	SHAFT CMP.,CHG.LEVER	1	1	1					
15	1	1N3247-59010	SPEED CHANGE ROD	1	1	1					
16	1	1N3247-59020	ROD, SUB-CHANGE	1	1	1					
17	1	1N3247-59030	GUIDE,CHANGE LEVER	1	1	1					
18	1	1N3247-59040	CLAMP,LEVER GUIDE	1	1	1					
19	1	1N3067-59910	GRIP,CHANGE LEVER	1	1	1					
20	1	1N3247-63000	BRACKET,BRAKE SHAFT	1	1	1					
21	1	1N3247-64000	SHAFT CMP.,BRAKE LVR	1	1	1					
22	1	1N3247-69010	LINK,BRAKE	2	2	2					
23	1	1N3077-69020	GRIP,CONT.LEVER RED	1	1	1					
24	1	1N3077-69030	GRIP A,CLUTCH LEVER	2	2	2					
24-1	1	1N3247-69030	GRIP A,CLUTCH LEVER	2	2	2					F 1
		(A=F603540) (B=F603570) (C=F603590)									
25	1	1N3077-69040	GRIP B,CLUTCH LEVER	2	2	2					
25-1	1	1N3247-69040	GRIP B,CLUTCH LEVER	2	2	2					F 1
		(A=F603540) (B=F603570) (C=F603590)									
26	1	1N3077-69060	SCREW M4X20	4	4	4					
27	1	1N1829-16010	SPRING 12.5X75,COIL.	2	2	2					
28	1	1N3079-16030	SPRING 14.5X50,COIL.	2	2	2					
29	1	1N1600-78900	NUT M10X1.25,SM.LEFT	2	2	2					
30	1	1N1600-78910	NUT M8,HARD LOCK	2	2	2					
31	1	1N1600-78930	NUT M10X1.25,HRD.LOC	5	5	5					
32	1	22157-060000	WASHER, 6	2	2	2					
33	1	1N1600-79000	SPRING H10,BELLEVILL	2	2	2					
34	1	1N1600-79270	BALL LHSA10	2	2	2					
35	1	1N1600-79280	BALL LHSA10L	2	2	2					
36	1	1N1600-79290	BUSH 80F-1210,FLANGE	6	6	6					
37	1	26156-100552	BOLT, M10X 55 PLATED	1	1	1					
38	1	26106-060162	BOLT, M6X 16 PLATED	5	5	5					
39	1	26367-060002	NUT, M6	8	8	8					
40	1	26717-120002	NUT, M12	1	1	1					
41	1	26737-100002	NUT, M10	2	2	2					
42	1	22137-080000	WASHER, 8	7	7	7					
42-1	1	22137-080000	WASHER, 8	8	8	8					K
		(A=F902404) (B=F902424) (C=F902454)									

Remarks

(1)THE INDEXES NO.6,24 AND 25 ARE A SET AND COMPATIBLE WITH A SET OF 24-1 AND 25-1.

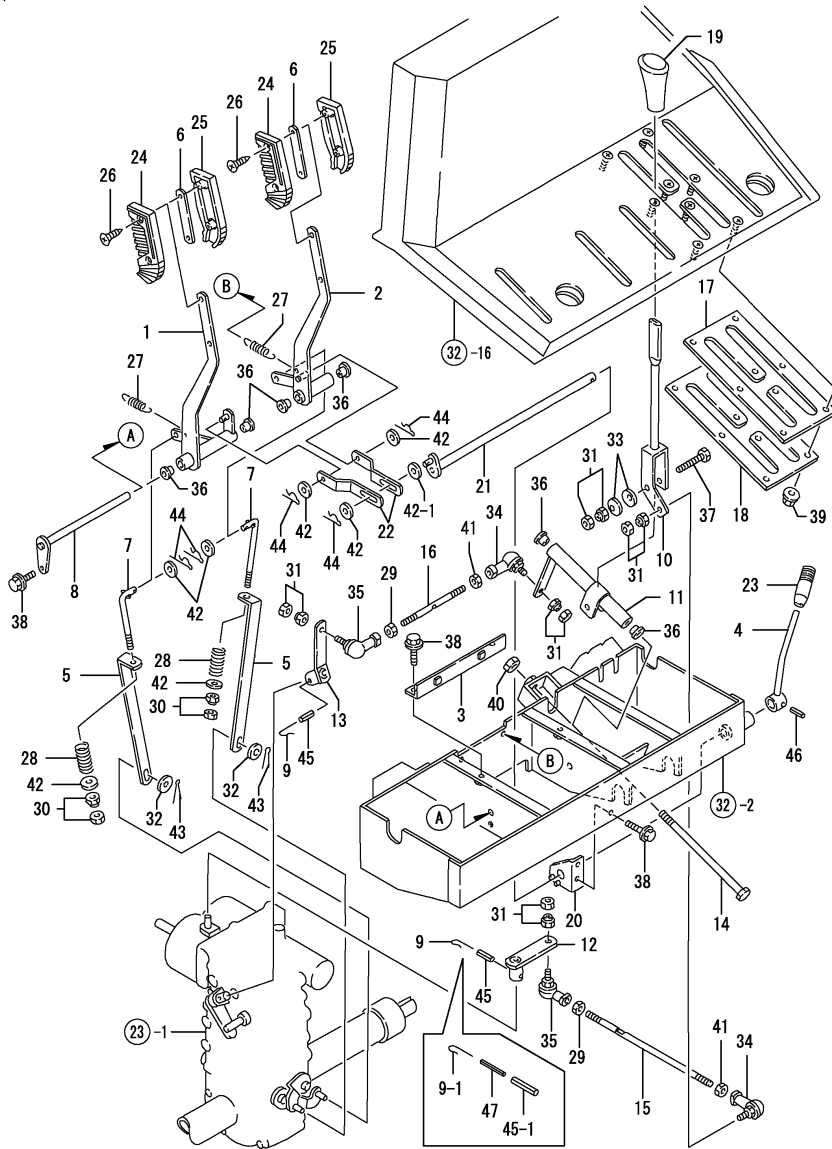
(2)REF.NO.45 IS INTERCHANGEABLE WITH A SET OF REF.NOS.45-1,9-1 & 47.



# Fig.34. CONTROL LEVER

(A)=YSR3120  
 (B)=YSR3120A  
 (C)=YSR3420A

(D)=  
 (E)=  
 (F)=



No.	Lev.	Parts No.	Description	Q'ty						I	R
				(A)	(B)	(C)	(D)	(E)	(F)		
43	1	22417-200120	COTTER PIN 2.0X12	2	2	2					
44	1	22372-080000	PIN, SNAP 8	5	5	5					
45	1	22351-050020	PIN, SPRING 5.0X20	2	2	2					
45-1	1	22351-050025	PIN, SPRING 5.0X25	2	2	2				F	2
		(A=F003501) (B=F003521) (C=F003549)									
46	1	22351-050025	PIN, SPRING 5.0X25	1	1	1					
47	1	22351-030025	PIN, SPRING 3.0X25	2	2	2					W
		(A=F003501) (B=F003521) (C=F003549)									

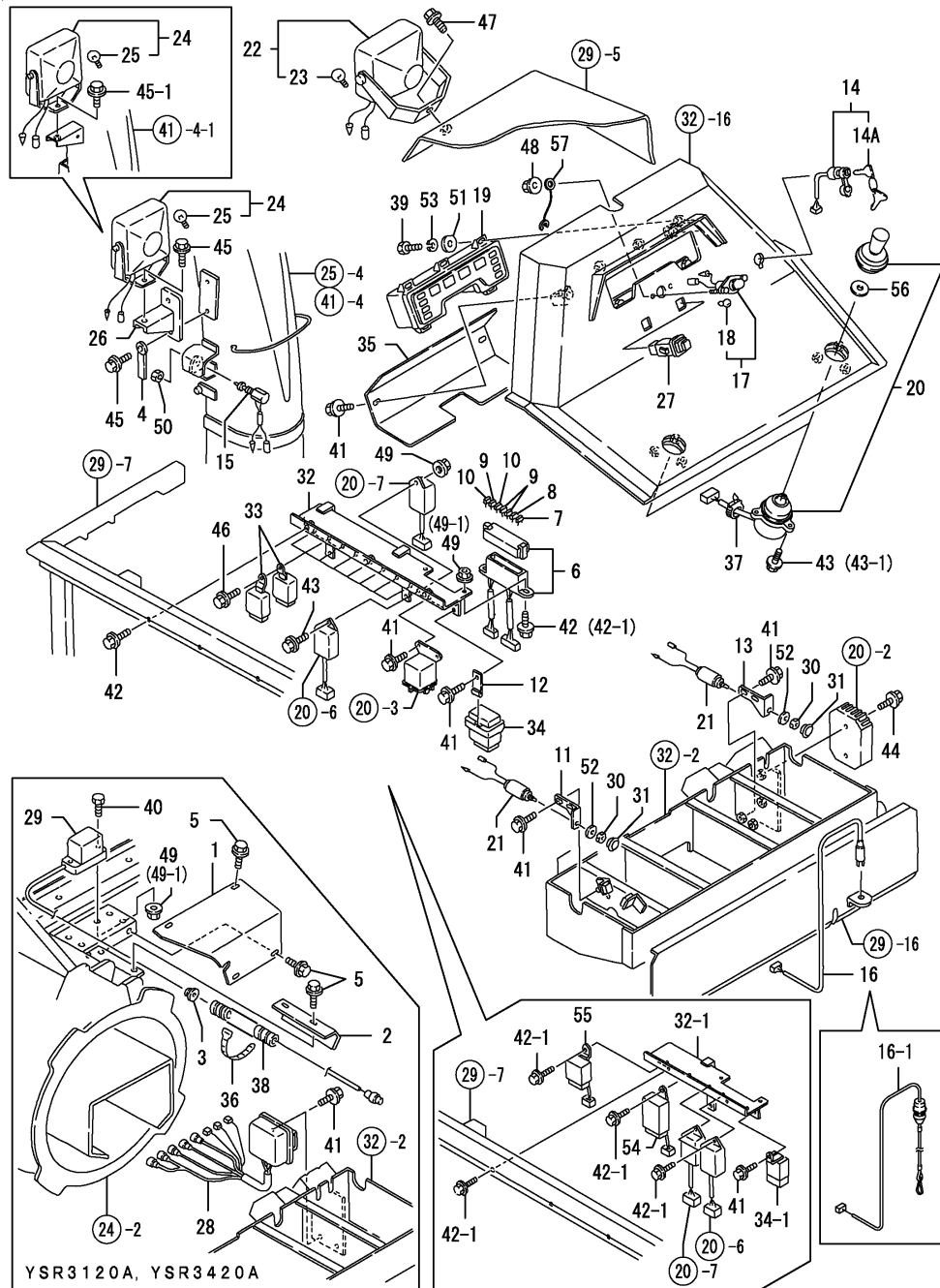
Remarks

- (1) THE INDEXES NO.6,24 AND 25 ARE A SET AND COMPATIBLE WITH A SET OF 24-1 AND 25-1.
- (2) REF.NO.45 IS INTERCHANGEABLE WITH A SET OF REF.NOS.45-1,9-1 & 47.

Fig.35. ELECTRICAL PARTS

(A)=YSR3120  
(B)=YSR3120A  
(C)=YSR3420A

(D)=  
(E)=  
(F)=



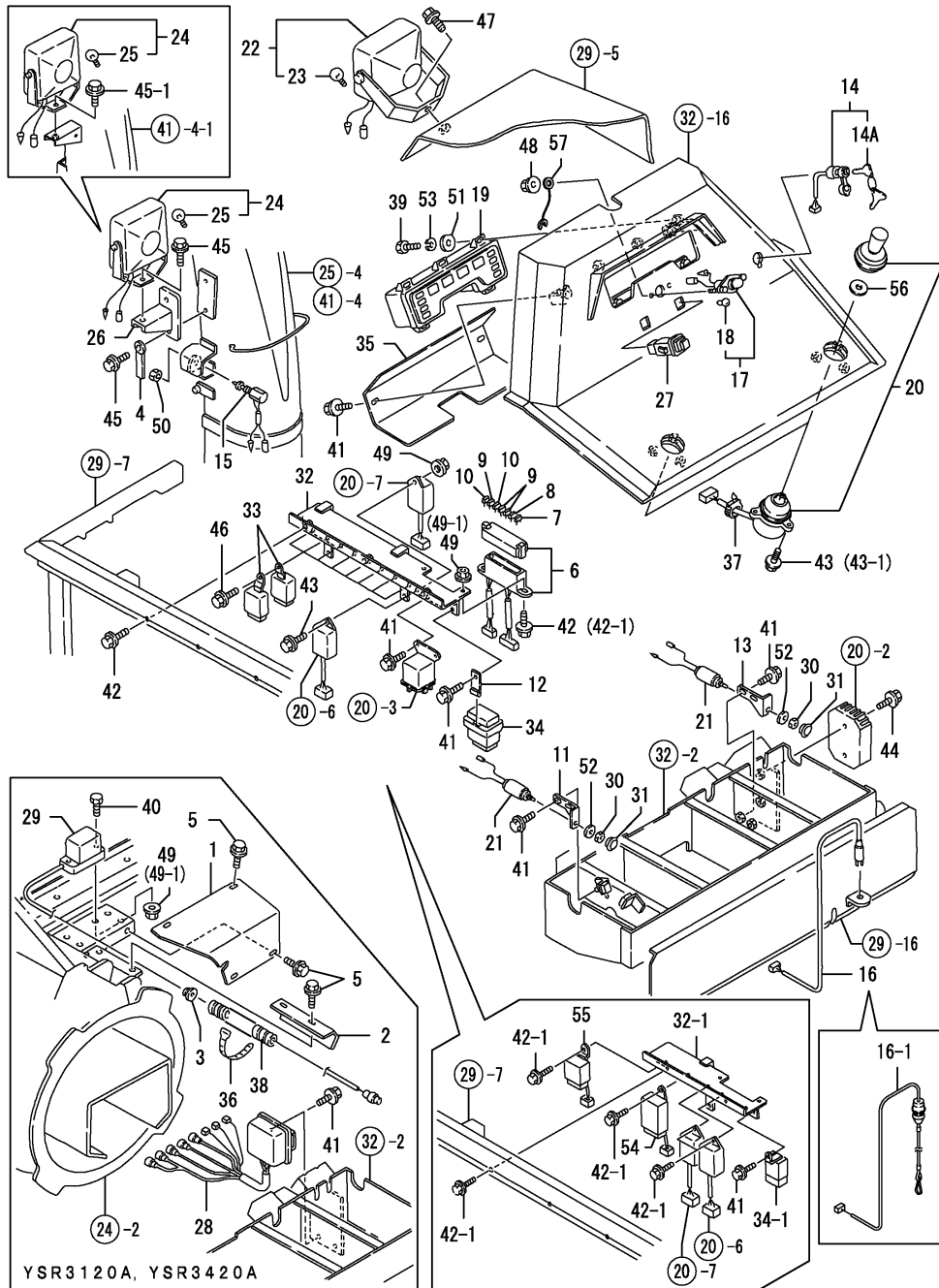
YSR3120A, YSR3420A

No.	Lev.	Parts No.	Description	Qty						I	R
				(A)	(B)	(C)	(D)	(E)	(F)		
1	1	1N1683-81000	COVER,SENSOR		1	1					
1-1	1	1N3243-89010	COVER,SENSOR		1	1					R
		(B=F603570) (C=F603590)									
2	1	1N3243-89020	COVER,SENSOR CODE		1	1					
3	1	1N1683-89010	BUSH 8,RUBBER		1	1					
4	1	1N1600-75120	CLAMP 8X80,CORD	1	1	1					Z
		(A=F034231) (B=F034251) (C=F034266)									
5	1	26106-060162	BOLT, M6X 16 PLATED		6	6					
6	1	1N3248-91000	BOX, FUSE	1	1	1					
7	1	1N1600-78550	FUSE 3A,BLADE	1	1	1					
8	1	1N1600-78560	FUSE 5A,BLADE	1	1	1					
9	1	1N1600-78570	FUSE 10A,BLADE	3	3	3					
10	1	1N1600-78580	FUSE 30A,BLADE	2	2	2					
11	1	1N3248-19010	BRACKET L,SWITCH	1	1	1					
12	1	1N1868-19020	BRACKET COMPL.,WIRE	1	1	1					Z
		(A=F603540) (B=F603570) (C=F603590)									
13	1	1N3248-19020	BRACKET R,SWITCH	1	1	1					
14	1	1N1868-31000	SWITCH,MAIN	1	1	1					
14A	2	123482-91291	KEY	2	2	2					
15	1	1N1808-31000	SWITCH,GUARD	1	1	1					
16	1	1N1938-31000	SWITCH,EMRGNCY.STOP	1	1	1					
16-1	1	1N3168-31000		1	1	1					S
		(A=F012821) (B=F012851) (C=F012891)									
17	1	1N3158-31000	LIGHT,PANEL	1	1	1					
18	2	1N3158-31200	BULB 12V10W	1	1	1					
19	1	1N3248-31000	COMBINATION METER	1	1	1					
20	1	1N3248-32000	SWITCH	2	2	2					
21	1	1N1600-70180	SWITCH,NEUTRAL	2	2	2					
22	1	1N3248-33000	LAMP,WORKING (L)	1	1	1					
23	2	1N3248-33200	BULB 12V27W	1	1	1					
24	1	1N3248-34000	LAMP S,WORKING	1	1	1					
25	2	1N3248-34200	BULB 12V-23W	1	1	1					
26	1	1N1678-35000	STAY,CHUTE LIGHT	1	1	1					Z
		(A=F034231) (B=F034251) (C=F034266)									
27	1	1N3248-35000	SWITCH,SM.LIFTING	1	2	2					
28	1	1N3248-36000	CONTROLLER,HORIZONTL		1	1					
29	1	1N3248-37000	SENSOR,INCLINATION		1	1					
30	1	1N3068-39010	NUT	2	2	2					
31	1	1N3248-39010	M-S005370 Y NYG	2	2	2					
32	1	1N3248-62000	BRACKET COMP.,RELAY	1	1	1					
32-1	1	1N3248-62001	BRACKET COMP.,RELAY	1	1	1					S
		(A=F603540) (B=F603570) (C=F603590)									
33	1	1N1938-74000	RELAY A	15	15	15					Z
		(A=F603540) (B=F603570) (C=F603590)									
34	1	1N1938-75000	RELAY B	1	1	1					
34-1	1	1N3248-45000	RELAY,NO.	1	1	1					S
		(A=F603540) (B=F603570) (C=F603590)									
35	1	1N3248-89010	COVER,METER	1	1	1					
36	1	1N1600-77210	TIE RF140,REPEAT		1	1					
37	1	1N1600-79040	CLIP C-1J77,CABLE	2	2	2					
38	1	1N1600-79200	PLUMMER 9X300		1	1					

Fig.35. ELECTRICAL PARTS

(A)=YSR3120  
(B)=YSR3120A  
(C)=YSR3420A

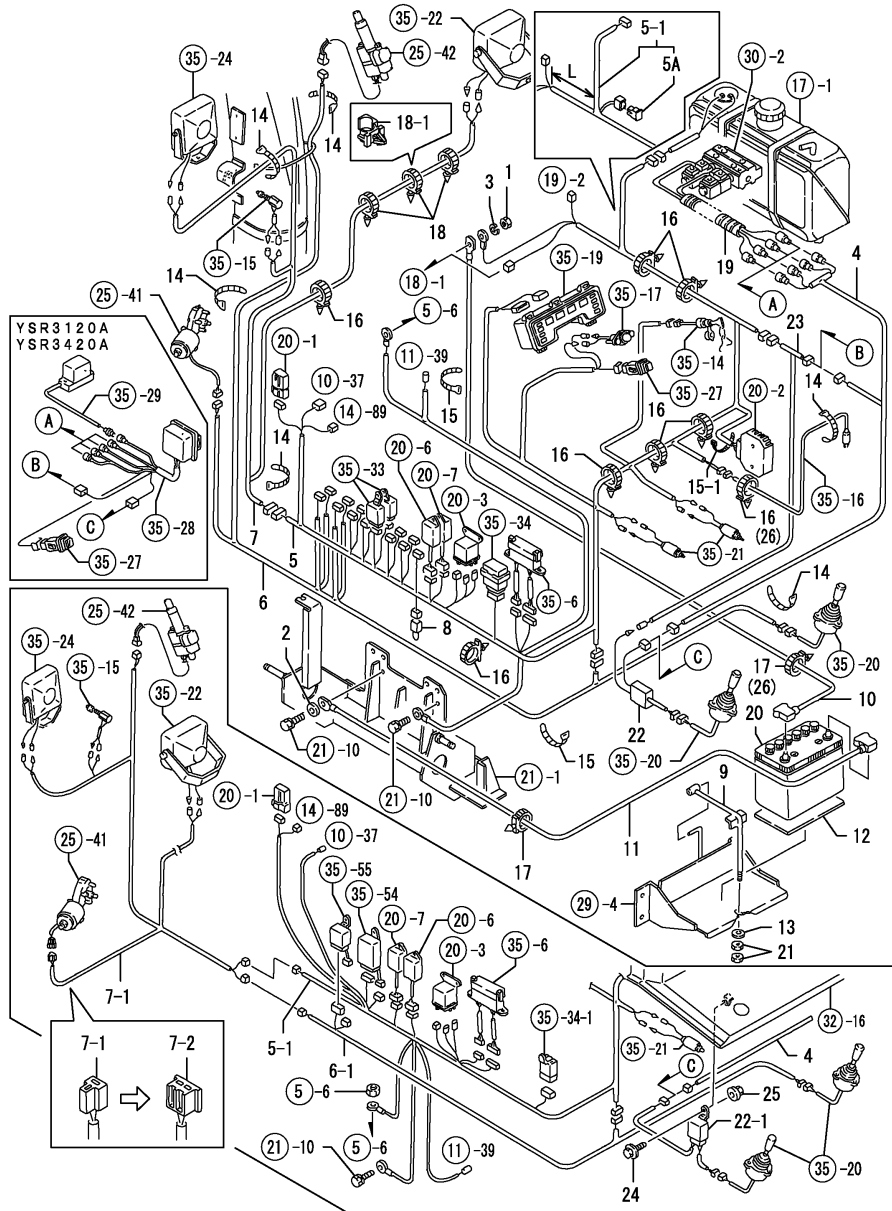
(D)=  
(E)=  
(F)=



YSR3120A, YSR3420A

No.	Lev.	Parts No.	Description	Qty						I	R
				(A)	(B)	(C)	(D)	(E)	(F)		
39	1	1N1600-79360	BOLT M4X15	5	5	5					
40	1	26116-060302	BOLT, M6X 30 PLATED		2	2					
41	1	26106-060122	BOLT, M6X 12 PLATED	9	11	11					
42	1	26106-060162	BOLT, M6X 16 PLATED	5	5	5					
42-1	1	26106-060162	BOLT, M6X 16 PLATED	8	8	8					K
		(A=F603540) (B=F603570) (C=F603590)									
43	1	26106-060202	BOLT, M6X 20 PLATED	7	7	7					
43-1	1	26106-060202	BOLT, M6X 20 PLATED	6	6	6					K
		(A=F603540) (B=F603570) (C=F603590)									
44	1	26106-060252	BOLT, M6X 25 PLATED	2	2	2					
45	1	26106-080122	BOLT, M8X 12 PLATED	3	3	3					
45-1	1	26106-080122	BOLT, M8X 12 PLATED	1	1	1					K
		(A=F034231) (B=F034251) (C=F034266)									
46	1	26106-080162	BOLT, M8X 16 PLATED	8	8	8					Z
		(A=F603540) (B=F603570) (C=F603590)									
47	1	26106-100202	BOLT, M10X 20 PLATED	1	1	1					
47-1	1	26013-100202	BOLT, M10X 20	1	1	1					R
		(A=F603540) (B=F603570) (C=F603590)									
48	1	26367-040002	NUT, M4	2	2	2					
49	1	26367-060002	NUT, M6	3	5	5					
49-1	1	26367-060002	NUT, M6	2	4	4					K
		(A=F603540) (B=F603570) (C=F603590)									
50	1	26737-120002	NUT, M12	1	1	1					
51	1	22137-040000	WASHER, 4	5	5	5					
52	1	22137-100000	WASHER, 10	2	2	2					
52-1	1	22117-100000	WASHER, 10	2	2	2					N
		(A=F902404) (B=F902424) (C=F902454)									
53	1	22217-040000	WASHER, SPRING 4	5	5	5					
54	1	1N3248-41000	BOX,INDICATSR	1	1	1					W
		(A=F603540) (B=F603570) (C=F603590)									
55	1	1N3248-42000	BOX,SHOOTER	1	1	1					W
		(A=F603540) (B=F603570) (C=F603590)									
56	1	1N1600-82760		2	2	2					W
		(A=F003501) (B=F003521) (C=F003549)									
57	1	1N3248-73000	CORD, EARTH	1	1	1					W
		(A=F012821) (B=F012851) (C=F012891)									

Fig.36. ELECTRICAL PARTS



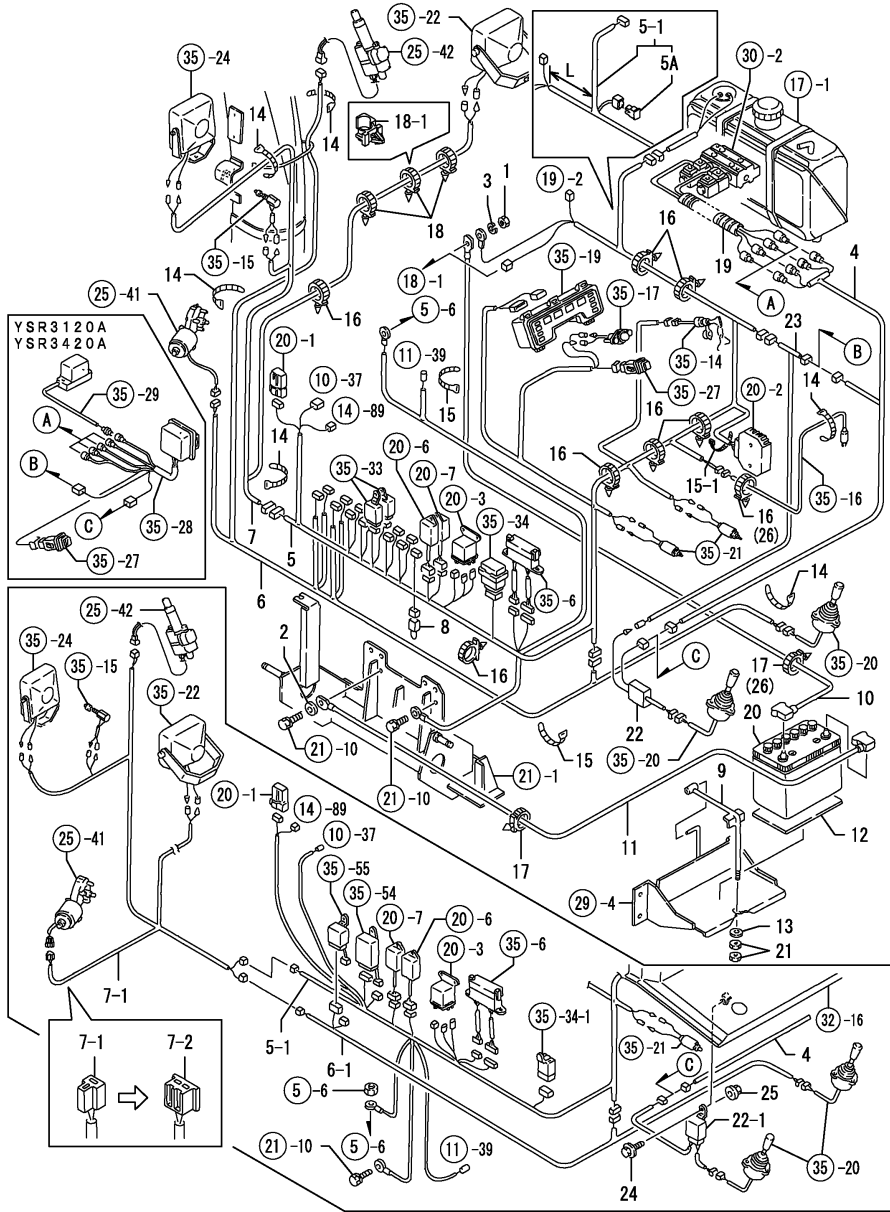
(A)=YSR3120  
(B)=YSR3120A  
(C)=YSR3420A

(D)=  
(E)=  
(F)=

No.	Lev.	Parts No.	Description	Q'ty						I	R
				(A)	(B)	(C)	(D)	(E)	(F)		
1	1	26717-080002	NUT, M8	1	1	1					
1-1	1	26367-080002	NUT, M8	1	1	1					R
		(A=F603540) (B=F603570) (C=F603590)									
2	1	22137-100000	WASHER, 10	1	1	1					
3	1	22217-080000	WASHER, SPRING 8	1	1	1					Z
		(A=F603540) (B=F603570) (C=F603590)									
4	1	1N3238-51000	HARNESS, HYDRAULIC	1							
5	1	1N3248-51000	HARNESS, MAIN	1	1	1					
5-1	1	1N3248-51001	HARNESS, MAIN	1	1	1					S
		(A=F603540) (B=F603570) (C=F603590)									
5-2	1	1N3248-51002	HARNESS, MAIN	1	1	1					S 1
		(A=F705751) (B=F705796) (C=F705821)									
5A	2	1N1600-80980	FUSE 50A, SLOW-BLOW	1	1	1					W
		(A=F603540) (B=F603570) (C=F603590)									
6	1	1N3248-52000	HARNESS, SHOOTER	1	1	1					
6-1	1	1N3248-52001	HARNESS, SHOOTER	1	1	1					S
		(A=F603540) (B=F603570) (C=F603590)									
7	1	1N3248-53000	HARNESS, LAMP	1	1	1					
7-1	1	1N3248-53001	HARNESS, LAMP	1	1	1					S
		(A=F603540) (B=F603570) (C=F603590)									
7-2	1	1N3248-57000	HARNESS, SHOOTER LAMP	1	1	1					S
		(A=F705751) (B=F705796) (C=F705821)									
8	1	1N3248-54000	CORD, JUMPER	1	1	1					Z
		(A=F603540) (B=F603570) (C=F603590)									
9	1	1N3248-61000	CLAMP COMP., BATTERY	1	1	1					
10	1	1N3248-71000	CORD, BATTERY POSITV.	1	1	1					
11	1	1N3248-72000	CORD, BATTERY NEGATV.	1	1	1					
12	1	1N1678-99030	RUBBER, VIBR. INSULATR	1	1	1					
13	1	22157-060000	WASHER, 6	1	1	1					
14	1	1N1600-77210	TIE RF140, REPEAT	11	11	11					
15	1	1N1600-74330	TIE RF250, REPEAT	4	4	4					
15-1	1	1N1600-74330	TIE RF250, REPEAT	5	5	5					K
		(A=F003501) (B=F003521) (C=F003549)									
16	1	1N1600-79020	STRAP 1-1W02, CABLE	8	8	8					
16-1	1	1N1600-79020	STRAP 1-1W02, CABLE	7	7	7					K
		(A=F705751) (B=F705796) (C=F705821)									
17	1	1N1600-79050	CLIP C-1U68, CABLE	2	2	2					
17-1	1	1N1600-79050	CLIP C-1U68, CABLE	1	1	1					K
		(A=F705751) (B=F705796) (C=F705821)									
18	1	1N1600-79030	CLIP C-1E50, CABLE	3	3	3					
18-1	1	1N1600-79040	CLIP C-1J77, CABLE	3	3	3					S
		(A=F003663) (B=F003521) (C=F003542)									
19	1	1N1600-79200	PLUMMER 9X300	1	1	1					
20	1	1N1600-78690	BATTERY 95D31R	1	1	1					
20-1	1	1N1600-81610	BATTERY 95D31L	1	1	1					S
		(A=F705751) (B=F705796) (C=F705821)									
21	1	26717-060002	NUT, M6	2	2	2					
22	1	1N3248-55000	RELAY BOX	1	1	1					
22-1	1	1N3248-43000	BOX, SOLENOID	1	1	1					S
		(A=F603540) (B=F603570) (C=F603590)									
23	1	1N3248-56000	HARNESS, POWER SOURCE	1	1	1					Z

Remarks  
(1) L=200MM (INDEX NO.5-1), 150MM (INDEX NO.5-2)

Fig.36. ELECTRICAL PARTS



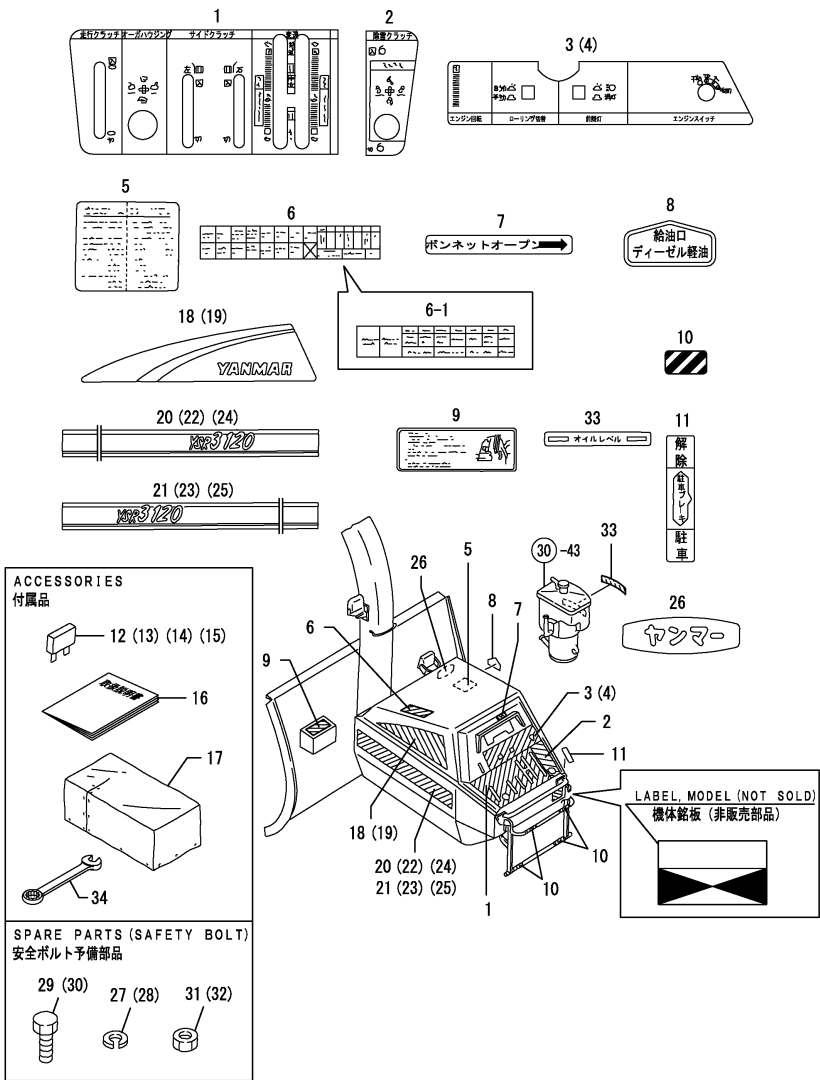
(A)=YSR3120  
(B)=YSR3120A  
(C)=YSR3420A

(D)=  
(E)=  
(F)=

No.	Lev.	Parts No.	Description	Qty						I	R
				(A)	(B)	(C)	(D)	(E)	(F)		
24	1	(A)=F603540	(B)=F603570	(C)=F603590							
		26106-060122	BOLT, M6X 12 PLATED		1	1	1				W
		(A)=F603540	(B)=F603570	(C)=F603590							
25	1	26367-060002	NUT, M6								
		(A)=F603540	(B)=F603570	(C)=F603590	1	1	1				W
26	1	1N1600-81590	CLIP 1-19P7,CABLE								
		(A)=F603540	(B)=F603570	(C)=F603590	2	2	2				W
		(A)=F705751	(B)=F705796	(C)=F705821							

Remarks  
(1) L=200MM (INDEX NO.5-1),150MM  
(INDEX NO.5-2)

# Fig.37. LABELS & ACCESSORIES



(A)=YSR3120  
(B)=YSR3120A  
(C)=YSR3420A

(D)=  
(E)=  
(F)=

No.	Lev.	Parts No.	Description	Qty						I	R
				(A)	(B)	(C)	(D)	(E)	(F)		
1	1	1N3247-99010	MARK L,PANEL	1	1	1					
2	1	1N3247-99020	MARK R,PANEL	1	1	1					
3	1	1N3237-99030	MARK,INDICATOR PANEL	1							
4	1	1N3247-99030	MARK,INDICATOR PANEL		1	1					
5	1	1N3247-99080	MARK,MAINTENANCE	1	1	1					
5-1	1	1N3247-99081	MARK,MAINTENANCE	1	1	1					S
6	1	1N3247-99090	MARK,RELAY & FUSE	1	1	1					
6-1	1	1N3247-99091	MARK,RELAY & FUSE	1	1	1					S
7	1	1N3247-99100	MARK,BONNET OPEN	1	1	1					
8	1	1N3247-99110	MARK,OIL FILLER	1	1	1					
9	1	1N1867-99020	MARK,SAFE.BOLT REPLC	1	1	1					
10	1	1N1937-99070	MARK,BLK.& YEL.STRP.	4	4	4					
11	1	1N3167-99191	MARK,PARKING BRAKE	1	1	1					
12	1	1N1600-78550	FUSE 3A,BLADE	1	1	1					
13	1	1N1600-78560	FUSE 5A,BLADE	1	1	1					
14	1	1N1600-78570	FUSE 10A,BLADE	1	1	1					
15	1	1N1600-78580	FUSE 30A,BLADE	1	1	1					
16	1	1N3249-19010	MANUAL,SNW.REMVR.OP.	1	1	1					
16-1	1	1N3249-19011	MANUAL,SNW.REMVR.OP.	1	1	1					S
17	1	1N3249-81000	COVER,OPRS SEAT	1	1	1					
18	1	1N3247-99040	MARK L,BONNET	1	1	1					
19	1	1N3247-99050	MARK R,BONNET	1	1	1					
20	1	1N3237-99260	MARK L YSR3300,SD.	1							
21	1	1N3237-99270	MARK R,SIDE	1							
22	1	1N3237-99060	MARK L YSR3300,SD.			1					
23	1	1N3237-99070	MARK R,SIDE			1					
24	1	1N3247-99060	MARK L YSR3300,SD.						1		
25	1	1N3247-99070	MARK R,SIDE						1		
26	1	1N3247-99120	MARK 163X50,YANMAR	1	1	1					
27	1	22217-060000	WASHER, SPRING 6	10	10	10					
28	1	22217-100000	WASHER, SPRING 10	20	20	20					1
29	1	26117-060254	BOLT M 6X 25 PLATED	10	10	10					1
30	1	26207-100304	BOLT, M10X 30 PLATED	20	20	20					1
31	1	26717-060002	NUT, M6	10	10	10					1
32	1	26707-100002	NUT, M10	20	20	20					1
33	1	1N3247-99130	MARK,OIL LEVEL	1	1	1					W
34	1	1N3229-19050	WRENCH 17,COMBINATI.	1	1	1					W

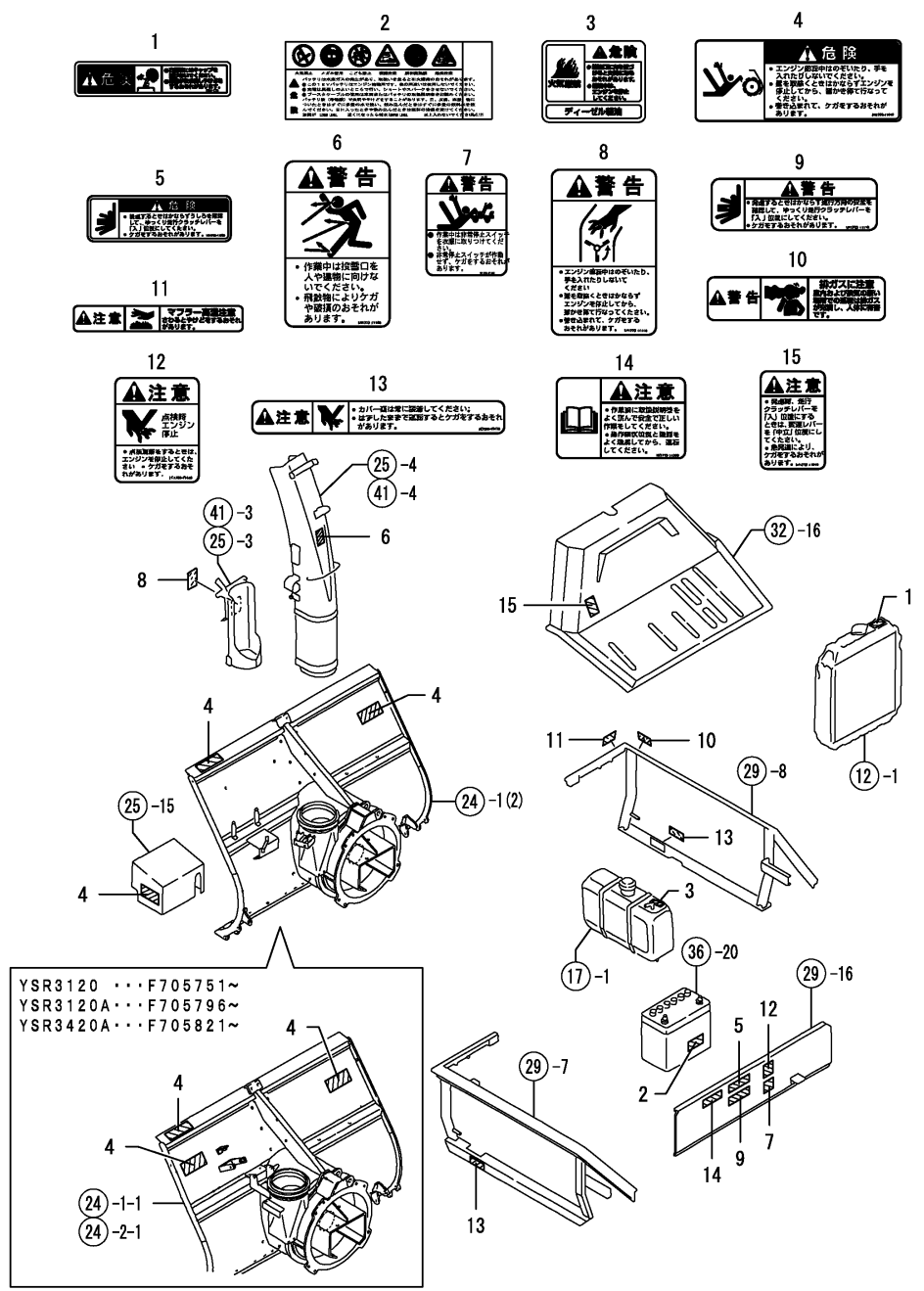
Remarks  
 (1)SPARE PARTS OF SAFETY BOLT  
 INDEXES NO.27,29 AND 31: FOR ITEM  
 NO.28, INDEX NO.13  
 INDEXES NO.28,30 AND 32: FOR ITEM  
 NO.27, INDEX NO.11 AND ITEM NO.28  
 INDEX NO.14.

Fig.38. LABELS(PRODUCT LIABILITY)

(A)=YSR3120  
(B)=YSR3120A  
(C)=YSR3420A

(D)=  
(E)=  
(F)=

No.	Lev.	Parts No.	Description	Qty						I	R
				(A)	(B)	(C)	(D)	(E)	(F)		
1	1	1E8500-97220	LABEL, RADIATOR	1	1	1					
2	1	1N1600-78390	LABEL,BATTERY DANGER	1	1	1					
3	1	1D1831-91200	DANGER,NO FIRE	1	1	1					
4	1	1N1723-91010	DANGER,SNW.REMV.UNIT	3	3	3					
5	1	1N1723-91030	DANGER,BACKING	1	1	1					
6	1	1N1723-91100	WARNING,SCATTERINGS	1	1	1					
7	1	1N1723-91120	WARNING,EMER.STOP SW	1	1	1					
8	1	1N1723-91110	WARNING,SHOOTER	1	1	1					
9	1	1N1723-91160	WARNING,TRAVEL.DIR.	1	1	1					
10	1	1N1723-91140	WARNING,EXH.GAS SIDE	1	1	1					
11	1	1E5120-86720	LABEL, CAUTION	1	1	1					
12	1	1E8500-97460	LABEL, ENGINE STOP	1	1	1					
13	1	1E8500-97470	LABEL, CAUTION	2	2	2					
14	1	1N1723-91300	CAUTION.OP.MANUAL	1	1	1					
15	1	1N1723-91310	CAUTION.QCK.STRT.HST	1	1	1					



YSR3120 ...F705751~  
 YSR3120A...F705796~  
 YSR3420A...F705821~

Fig.39. TRANSMISSION CASE,HST(ADD.ITEMS)

(A)=FE17HB03

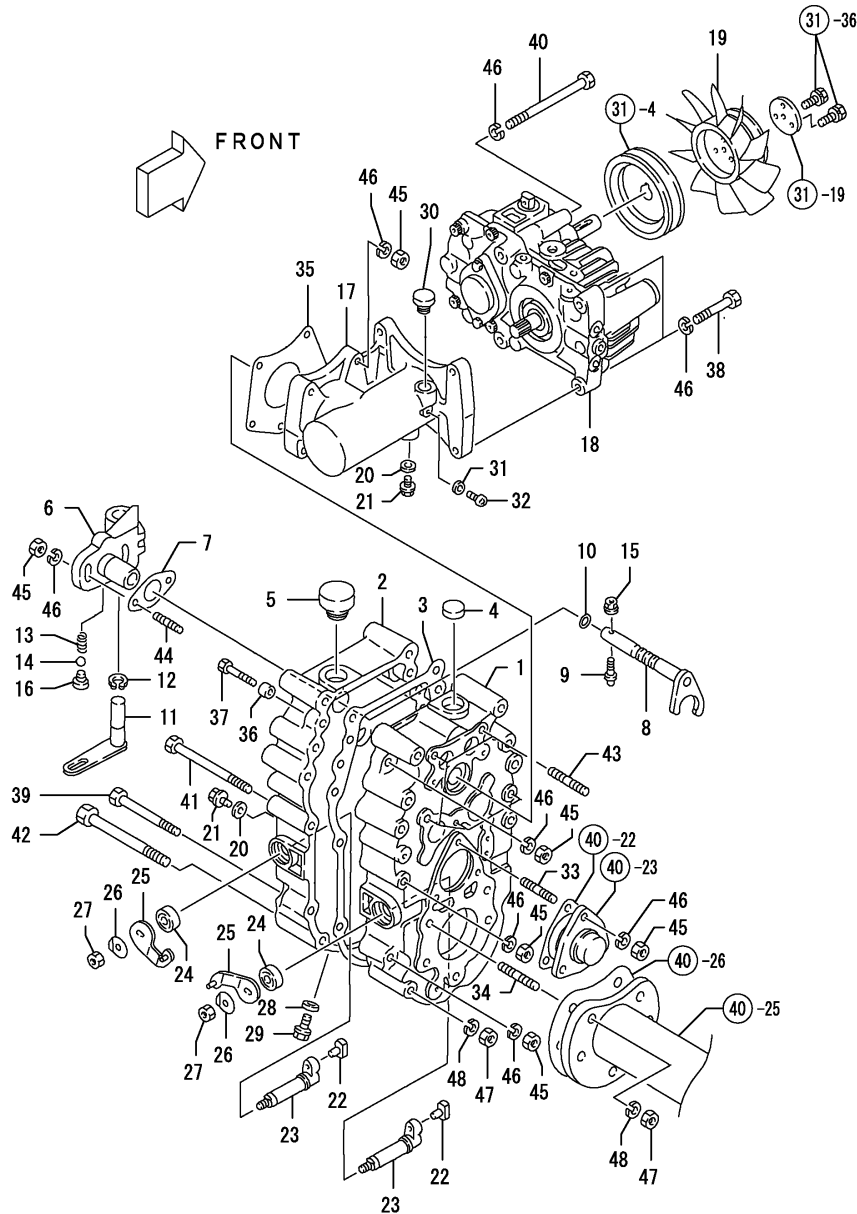
(B)=

(C)=

(D)=

(E)=

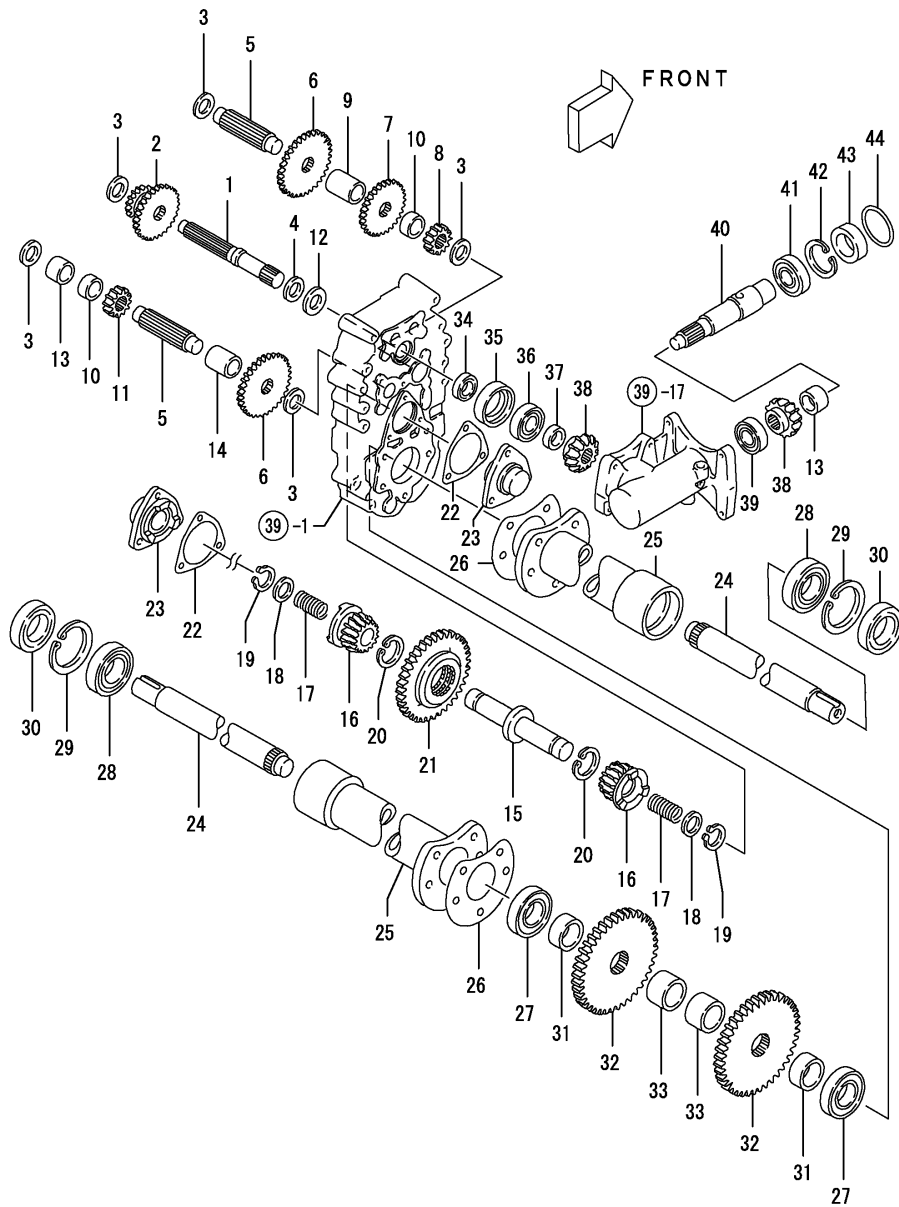
(F)=



No.	Lev.	Parts No.	Description	Q'ty						I	R
				(A)	(B)	(C)	(D)	(E)	(F)		
1	1	1N1600-79630	CASE L	1							
2	1	1N1600-79640	CASE R	1							
3	1	1N1600-79650	GASKET	1							
4	1	1N1600-79660	COVER, BLIND	1							
5	1	1N1600-79670	WRENCH 12X14	1							
6	1	1N1600-79680	WRENCH 21, SOCKET	1							
7	1	1N1600-79690	PACKING, BRACKET	1							
8	1	1N1600-79620	SHAFT ASSY, SHIFTER	1							
9	1	1N1600-79710	PIN 5 COMP., CH	1							
10	1	1N1600-79720	ORING P10A	1							
11	1	1N1600-79730	SHAFT	1							
12	1	1N1600-79740	CIRCLIP 15, SHAFT	1							
13	1	1N1600-79750	SPRING	1							
14	1	1N1600-79760	BALL 5/16, STEEL	1							
15	1	1N1600-79770	NUT M5, LOCK	1							
16	1	1N1600-79780	PLUG, BLIND	1							
17	1	1N1600-79790	BEVEL CASE	1							
18	1	1N1600-79800	HST-10L	1							
19	1	1N1600-79810	FAN L	1							
20	1	1N1600-79820	GASKET 8	2							
21	1	1N1600-79830	PLUG 8	2							
22	1	1N1600-79840	PIN	2							
23	1	1N1600-79850	SHIFTER	2							
24	1	1N1600-79860	SEAL 14X24X8, OIL	2							
25	1	1N1600-79870	LEVER SC COMPL	2							
26	1	1N1600-79880	WASHER 8, LOCK	2							
27	1	1N1600-79890	NUT M 8	2							
28	1	1N1600-79900	HANDLE, SOCKET WRENCH	1							
29	1	1N1600-79910	PLUG 14	1							
30	1	1N1600-79920	PLUG G14	1							
31	1	1N1600-79930	GASKET 6	1							
32	1	1N1600-79940	SCREW M6X8, PAN HEAD	1							
33	1	1N1600-79950	STUD M8X38	6							
34	1	1N1600-79960	STUD M10	10							
35	1	1N1600-79970	PACKING, BVL. GR. CASE	1							
36	1	1N1600-79980	PIPE, KNOCK	2							
37	1	1N1600-79990	BOLT 8X40	2							
38	1	1N1600-80000	BOLT M 8X 45 PLATED	2							
39	1	1N1600-80010	BOLT M 8X 80 PLATED	3							
40	1	1N1600-80020	BOLT M 8X115 PLATED	2							
41	1	1N1600-80030	BOLT M 8X120 PLATED	2							
42	1	1N1600-80040	BOLT M10X120 PLATED	2							
43	1	1N1600-80050	STUD M8	5							
44	1	1N1600-80060	STUD M8	2							
45	1	1N1600-80070	NUT M 8	20							
46	1	1N1600-80080	WASHER, SPRING M 8	24							
47	1	1N1600-80090	NUT M10	12							
48	1	1N1600-80100	WASHER, SPRING M10	12							



Fig.40. GEAR,SHAFT(ADDITIONAL ITEMS)



(A)=FE17HB03

(B)=

(C)=

(D)=

(E)=

(F)=

No.	Lev.	Parts No.	Description	Q'ty						I	R
				(A)	(B)	(C)	(D)	(E)	(F)		
1	1	1N1600-80120	SHAFT A	1							
2	1	1N1600-80130	GEAR AB16-32	1							
3	1	1N1600-80140	WASHER	5							
4	1	1N1600-80150	WASHER 21X30X2	1							
5	1	1N1600-80160	HANDLE, SOCKET WRENCH	2							
6	1	1N1600-80170	GEAR D 43	2							
7	1	1N1600-80180	GEAR E27	1							
8	1	1N1600-80190	GEAR H16	1							
9	1	1N1600-80200	COLLAR 20X25X38	1							
10	1	1N1600-80210	COLLAR 20X25X9	2							
11	1	1N1600-80220	GEAR I 15	1							
12	1	1N1600-80230	WASHER 20X31X2	1							
13	1	1N1600-80240	COLLAR 20X25X14.5	2							
14	1	1N1600-80250	COLLAR 20X25X24	1							
15	1	1N1600-80260	WRENCH 10X12	1							
16	1	1N1600-80270	GEAR K COMPL.	2							
17	1	1N1600-80280	SPRING SC	2							
18	1	1N1600-80290	WASHER 25X32X2	2							
19	1	1N1600-80300	CIRCLIP 25,SHAFT	2							
20	1	1N1600-80310	CIRCLIP 42,HOLE	2							
21	1	1N1600-80320	GEAR J 53	1							
22	1	1N1600-80330	PACKING,COVER SC	2							
23	1	1N1600-80340	COVER ASSY.,CLUTCH	2							
24	1	1N1600-80350		2							
25	1	1N1600-80360	CASE COMP.,AXLE	2							
26	1	1N1600-80370	GASKET, FLANGE	2							
27	1	1N1600-80380	BEARING 6006,BALL	2							
28	1	1N1600-80390	BEARING 6007,BALL	2							
29	1	1N1600-80400	CIRCLIP 62(H)	2							
30	1	1N1600-80410	SEAL 35X62X16.5,OIL	2							
31	1	1N1600-80420	COLLAR 30X35X17	2							
32	1	1N1600-80430	GEAR L38	2							
33	1	1N1600-80440	COLLAR 25X35X24	2							
34	1	1N1600-80450	SEAL 20X32X8,OIL	1							
35	1	1N1600-80460	SPACER	1							
36	1	1N1600-80470	BEARING 6004,BALL	1							
37	1	1N1600-80480	COLLAR 20X25X8	1							
38	1	1N1600-80490	BEVEL GEAR	2							
39	1	1N1600-80500	BEARING 6303,BALL	1							
40	1	1N1600-80510	SHAFT COMP.,BEVEL GR	1							
41	1	1N1600-80520	BALL BEARING	1							
42	1	1N1600-80530	CIRCLIP 47,HOLE	1							
43	1	1N1600-80540	SPACER,HST	1							
44	1	1N1600-80550	O-RING P46	1							

## Parts No. Index

Parts No.	Fig. No.	Ref. No.
101304-59020	16	18
101504-55051	17	6
101504-55101	17	7
101720-55750	16	33
102100-67080	14	92
102103-55520	16	28
103854-39140	16	17
104200-55321	16	4
		24
104200-55330	16	5
		25
104200-55341	16	26
104200-55750	16	6
		34
104200-59170	16	20
104200-92350	20	9
104200-92600	20	10
105198-13610	6	10
105302-55040	17	5
105425-01690	3	5
110250-55610	16	29
114250-39450	10	37 -1
114250-53080	15	5
114250-53120	15	9
114250-53130	15	10
114250-53140	15	11
114250-53210	15	12
114250-53400	15	13
119305-59120	15	20
119462-26020	9	5
119609-32040	2	14 -1
119625-11870	4	26 -1
		26 -3
119625-11871	4	26
119625-11872	4	26 -2
119625-11880	4	27
119625-11900	4	28
119632-77920	20	6
119632-77922	20	6 -1
119643-66900	20	1
119650-77910	20	3
119653-77950	14	89
119660-61901	14	58
119666-77710	20	2 -1
119802-11280	4	42 -1
119808-12520	5	11
119808-12540	5	13
119810-51040	13	6
119810-77340	19	18 -1
119813-59950	15	44 -1

Parts No.	Fig. No.	Ref. No.
119840-59500	15	40 -1
119840-59560	15	40
119840-59570	15	41
119866-12530	5	12
119908-61501	14	33 -1
120130-11860	4	12
121023-01550	2	28
121111-21501	8	12
121250-44901	11	39
121250-59550	15	39
121256-44600	12	10
121257-55720	16	30
121257-55731	16	31
121400-11340	4	23
121400-55830	17	8
121400-55870	17	9
121450-01560	2	2
121450-42450	11	38
121470-44540	12	8
121520-34810	3	18
121550-23200	8	36
121550-49111	11	41
121850-11860	11	1
121850-21680	8	11
121850-42410	11	11 -1
121850-51960	2	13
122117-51560	13	50
122710-51090	13	10
123482-91291	35	14 A
123682-44210	12	2
123900-13610	6	6 -1
123900-13630	6	4 -1
124060-01640	17	2
124064-55510	16	27
124066-03770	14	88
124066-59100	15	38
		38 -1
		40 A
124160-01751	2	8
	4	58
124160-01910	1	9
124160-11360	4	56
124160-39140	10	29
124160-39450	10	37
124195-77770	18	34 X
124240-01871	2	9
		25
124240-01883	2	10
		26
	9	1

Parts No.	Fig. No.	Ref. No.
124298-77020	18	34 A
124395-49840	11	31 -1
124450-44510	12	3
124450-44530	12	5
124450-44550	12	9
124450-44560	12	6
124460-11340	4	24
124465-44950	11	40
124550-21600	8	16
124550-51350	13	32
124550-51370	13	33
124550-59820	10	34
		34 A
124550-59830	10	34 -1
124550-66370	14	60
124701-11911	6	9
124736-07900	4	6
124766-59050	15	43 A
	16	20 B
		21 B
124770-11770	11	23
124950-51190	13	17
128300-77920	20	7
129001-01250	1	15 -1
129001-01340	1	33
129001-02800	1	18
129001-11700	4	8
129001-12110	5	3
129001-12120	5	1
129001-21000	8	1
129001-21100	8	1 -1
129001-22081	8	17
129001-22500	8	21
129001-22900	8	39
129001-22950	8	43
129001-32001	10	1
129001-35300	10	25
129001-59811	15	25
129001-59821	15	29
129001-59831	15	33
129001-91840	2	21 -1
129001-91841	2	21 -2
129002-01331	1	41
129002-22081	8	18
129002-22500	8	22
129002-22900	8	40
129002-22950	8	44
129030-44760	11	18
129051-61450	14	82
129052-55620	16	1

Parts No.	Fig. No.	Ref. No.
129052-59710	15	25 -1
129052-59711	15	25 -2
129052-59720	15	29 -1
129052-59730	15	33 -1
129052-61050	14	5
129052-61051	14	5 -1
129052-61060	14	6
129052-61070	14	7
129052-61071	14	7 -1
129052-61390	14	32
129052-61500	14	33
129052-61540	14	48
129065-12010	5	9
129065-12510	5	10
129065-12600	5	13 A
129065-13500	6	7
129065-55010	17	1
129065-77040	18	37
129100-01520	2	1
129100-01580	3	11
	8	2
	18	36
129100-01590	2	4
129100-01640	3	12
129100-01730	3	1
129100-11100	4	18
129100-11110	4	19
129100-11111	4	19 -1
129100-11350	4	45
129100-13110	6	1
129100-23910	8	35
129100-25061	7	9
129100-42002	11	2
129100-42003	11	2 -1
129100-42004	11	2 -2
129100-42020	11	13
129100-42051	11	4
129100-42120	11	5
129100-42121	11	5 -1
129100-49800	11	22
129100-49820	11	25
129100-49821	11	25 -1
129100-49830	11	26
129100-49840	11	31
129100-51300	13	27
129100-51560	13	51 -1
129100-51570	13	50 -1
129100-52100	13	97
129100-52101	13	97 -1
129100-55650	16	11

## Parts No. Index

Parts No.	Fig. No.	Ref. No.
129100-55670	16	3
129100-55680	16	8
129100-55690	16	9
129100-55700	16	12
129100-59951	15	44
129100-61400	14	18
129100-61440	14	76
129100-61650	14	77
129107-13550	6	8
129112-01770	3	3
129120-77501	5	6
129129-14580	7	3
129129-77230	18	8
129129-77240	18	9
129129-77260	18	21
129129-77270	18	22
129129-77290	18	24
129129-77320	18	28
129129-77340	18	30
129129-77350	18	31
129129-77361	18	32
129129-77362	18	32 -1 32 -2
129129-77380	18	34
129129-77400	18	16
129129-77410	18	17
129129-77420	18	19
129129-77430	18	20
129129-77440	18	14
129129-77450	18	15
129132-49050	11	36
129137-01640	3	4
129150-01200	1	32
129150-01580	2	3
129150-01881	7	18
129150-02020	1	11
129150-02450	7	4
129150-02870	1	38
129150-02930	1	27
129150-02940	1	35
129150-03020	4	47
129150-03070	4	48
129150-03080	4	49
129150-03090	4	1
129150-03100	2	12
129150-11230	4	39
129150-11280	4	34
129150-11290	4	35
129150-11310	4	52
129150-11370	4	25

Parts No.	Fig. No.	Ref. No.
129150-11750	4	41
129150-11810	4	14
129150-13110	6	2
129150-14101	7	7
129150-14200	7	1
129150-14400	7	2
129150-21200	8	5
129150-23600	8	37
129150-23610	8	51
129150-25101	7	10
129150-25900	7	15
129150-25920	7	13
129150-26000	7	19
129150-26050	7	20
129150-32020	10	14
129150-35041	10	16
129150-35042	10	16 -1
129150-35091	10	17
129150-35101	10	22
129150-35111	10	23
129150-35153	10	24
129150-35350	10	26
129150-39450	10	30
129150-49080	12	14
129150-49100	12	13
129150-49811	11	30
129150-59131	15	23
129150-59580	15	42
129150-77202	19	2
129150-77203	19	2 -1
129150-77210	19	7
129150-77230	19	15
129150-77280	19	15 -2
129150-77511	5	7
129150-77710	20	2
129155-11241	4	31
129155-11260	4	32
129155-11270	4	33
129155-49800	11	29
129155-49801	11	29 -1
129155-51020	13	92
129155-51050	13	8
129155-51051	13	8 -1
129155-51060	13	9
129155-51140	13	14
129155-51180	13	16
129155-51200	13	18
129155-51270	13	25
129155-51280	13	26
	14	2

Parts No.	Fig. No.	Ref. No.
129155-51320	13	30
129155-51340	13	31
129155-51370	13	34
129155-51380	13	35
129155-51390	13	36
129155-51400	13	37
129155-51410	13	38
129155-51420	13	39
129155-51450	13	40
129155-51500	13	45
129155-51521	13	46
129155-51530	13	47
129155-51540	13	48
129155-51550	13	49
129155-51570	13	52
129155-51580	13	53
129155-51591	13	54
129155-51600	13	55
129155-51700	13	74
129155-51701	13	74 -1
129155-51710	13	75
129155-51711	13	75 -1
129155-51750	13	76
129155-51751	13	76 -1
129155-51760	13	77
129155-51761	13	77 -1
129155-51790	13	78
129155-51930	13	80
129155-51940	13	81
129155-52050	13	96
129155-52051	13	96 -1
129155-61120	14	8
129155-61130	14	9
129155-61140	14	10
129155-61201	14	11
129155-61202	14	11 -1
129155-61341	14	15
129155-61350	14	16
129155-61360	14	17
129155-61430	14	21
129155-61450	14	25
129155-61460	14	26
129155-61480	14	27
129155-61830	14	57
129155-61950	14	59
129156-51910	13	79
129202-22300	8	29
129209-61370	14	60 -1
129209-61930	14	91 -1
129209-61970	14	91 B

Parts No.	Fig. No.	Ref. No.
129210-59040	16	20 A
129210-59130	15	42 A
129210-59150	16	21 A
129211-77920	20	6 -2
129255-21590	8	13
129255-61080	14	79
129255-61410	14	80
129255-61420	14	81
129335-55700	16	23
129350-49530	11	20
129407-77010	18	1
129407-77210	18	6
129407-77220	18	7
129407-77250	18	10
129407-77280	18	23
129407-77300	18	25
129407-77310	18	27
129407-77330	18	29
129407-77390	18	13
129407-77410	18	18
129410-77330	19	17
129418-12530	5	13 B
129486-01670	3	15 -1
129486-42021	11	13 -1
129486-61540	14	48 -1
129503-53000	15	2
129506-51100	13	11
129556-42350	11	16
129604-07900	4	6 -1
129608-77010	18	1 -1
129608-77110	18	34 C
129698-77020	18	34 A-1
129698-77100	18	34 B
129698-77101	18	34 B-1
129698-77120	18	34 D
129698-77130	18	34 F
129698-77140	18	34 E
129698-77150	18	34 G
129698-77160	18	34 H
129698-77161	18	34 H-1
129698-77170	18	34 J
129698-77180	18	34 R
129698-77190	18	34 S
129698-77200	18	34 T
129698-77210	18	34 U
129698-77220	18	34 V
129698-77230	18	34 W
129698-77240	18	34 P
129698-77250	18	34 Q
129698-77260	18	34 K

## Parts No. Index

Parts No.	Fig. No.	Ref. No.
129698-77270	18	34 M
129698-77280	18	34 N
129795-01780	3	14
129795-01800	2	7
129795-01900	19	1 -1
129795-01950	2	11
129795-02411	1	30
129795-11120	4	20
129795-11180	4	21
129795-21661	8	10
129795-49551	11	21
129900-07900	4	6 -2
129916-49740	11	12 -2
158552-61900	14	68 -1
171001-93100	20	8
171051-01921	1	10
171081-55910	16	35
171301-49010	12	11
171301-49020	12	12
171340-21650	8	9
171340-44740	11	17
171353-61710	14	78
171420-34800	3	17
171440-44500	12	1
174307-51170	13	15
174307-51560	13	51
174307-51700	14	34
194420-56620	17	11
194990-22050	6	3
198290-56600	17	10
1D1831-91200	38	3
1E5120-86720	38	11
1E8500-97220	38	1
1E8500-97460	38	12
1E8500-97470	38	13
1N1599-16030	31	20
1N1599-16040	31	22
1N1600-70180	35	21
1N1600-70770	23	34
1N1600-71560	32	11
	33	22
1N1600-71590	25	37
1N1600-71960	26	50
1N1600-72000	26	51
	27	18
1N1600-72040	26	52
1N1600-72080	28	24
1N1600-72130	26	53
1N1600-73590	26	31
1N1600-74140	29	23

Parts No.	Fig. No.	Ref. No.
1N1600-74330	30	21
	36	15
		15 -1
1N1600-74340	30	30
1N1600-74350	30	34
1N1600-74380	30	17
1N1600-74420	21	10
1N1600-74430	22	19
1N1600-74520	21	8
	22	16
	23	14
	31	38
1N1600-74550	23	46
	27	9
1N1600-74640	26	38
1N1600-74650	27	8
1N1600-74660	30	18
1N1600-74670	30	19
1N1600-74730	31	24
1N1600-74740	31	35
1N1600-74750	22	17
1N1600-74760	21	11
	31	2
1N1600-74890	23	45 -1
		46 -1
	27	9 -1
1N1600-75020	30	7 -1
		29
1N1600-75060	30	16
1N1600-75120	25	23
	29	34
	35	4
	41	20
1N1600-75140	21	7
1N1600-75150	23	59
	24	29
	25	39
	28	23
	41	30
1N1600-75170	26	3
1N1600-75270	31	29
1N1600-75450	25	22
	41	19
1N1600-75810	28	6
1N1600-75820	28	7
1N1600-75830	24	8
1N1600-77020	29	21
	33	26
1N1600-77060	33	27
1N1600-77080	23	47 -1

Parts No.	Fig. No.	Ref. No.
1N1600-77080	23	48
1N1600-77140	25	21
	41	18
1N1600-77150	25	41
1N1600-77160	25	45
1N1600-77170	25	53
1N1600-77180	25	54
1N1600-77210	22	12
	30	20
	35	36
	36	14
1N1600-77240	25	17
1N1600-77270	22	11
1N1600-77280	31	23
1N1600-77290	23	45
1N1600-77310	22	28
	23	10
	30	46
1N1600-77460	31	32
1N1600-77550	23	49
1N1600-77630	24	18 -1
1N1600-77650	26	35
1N1600-77670	29	24
1N1600-77700	32	12
1N1600-77730	26	47
1N1600-77790	23	6
	30	43
1N1600-78060	23	9
	30	45
1N1600-78230	33	39
1N1600-78350	31	30
1N1600-78390	38	2
1N1600-78440	31	31
1N1600-78550	35	7
	37	12
1N1600-78560	35	8
	37	13
1N1600-78570	35	9
	37	14
1N1600-78580	35	10
	37	15
1N1600-78610	31	33
1N1600-78620	31	34
1N1600-78690	36	20
1N1600-78750	23	2
1N1600-78760	23	3
1N1600-78770	23	4
1N1600-78780	23	5
1N1600-78790	23	39
1N1600-78820	24	9

Parts No.	Fig. No.	Ref. No.
1N1600-78830	27	1
1N1600-78840	31	19
1N1600-78850	34	9
1N1600-78860	33	7
1N1600-78870	23	42
1N1600-78880	23	43
1N1600-78890	26	32
1N1600-78900	34	29
1N1600-78910	33	24
	34	30
1N1600-78920	26	33
1N1600-78930	34	31
1N1600-78940	23	44
1N1600-78950	33	25
1N1600-78960	23	47
1N1600-78970	31	25
1N1600-78980	26	34
1N1600-78990	31	26
1N1600-79000	34	33
1N1600-79010	30	22
1N1600-79020	36	16
		16 -1
1N1600-79030	36	18
1N1600-79040	35	37
	36	18 -1
1N1600-79050	36	17
		17 -1
1N1600-79060	30	23
1N1600-79070	30	24
1N1600-79080	30	25
1N1600-79090	30	26
1N1600-79100	30	27
1N1600-79110	30	28
1N1600-79120	23	12
1N1600-79130	23	11
1N1600-79140	22	8
1N1600-79150	22	6
1N1600-79160	22	9
1N1600-79170	22	7
1N1600-79180	22	10
1N1600-79190	30	31
1N1600-79200	35	38
	36	19
1N1600-79210	22	13
	33	28
1N1600-79220	30	32
		32 -1
		32 -2
1N1600-79230	30	33
	31	53

## Parts No. Index

Parts No.	Fig. No.	Ref. No.
1N1600-79240	31	21
1N1600-79250	31	27
1N1600-79260	31	28
1N1600-79270	34	34
1N1600-79280	34	35
1N1600-79290	33	29
	34	36
1N1600-79300	27	10
1N1600-79310	28	11
1N1600-79320	28	12
1N1600-79330	33	30
1N1600-79360	35	39
1N1600-79370	25	46
1N1600-79380	33	40
1N1600-79390	23	60
1N1600-79400	27	19
1N1600-79550	41	53
1N1600-79560	22	7 -1
		10 -1
1N1600-79590	22	31
1N1600-79620	39	8
1N1600-79630	39	1
1N1600-79640	39	2
1N1600-79650	39	3
1N1600-79660	39	4
1N1600-79670	39	5
1N1600-79680	39	6
1N1600-79690	39	7
1N1600-79700	31	50
1N1600-79710	39	9
1N1600-79720	39	10
1N1600-79730	39	11
1N1600-79740	39	12
1N1600-79750	39	13
1N1600-79760	39	14
1N1600-79770	39	15
1N1600-79780	39	16
1N1600-79790	39	17
1N1600-79800	39	18
1N1600-79810	39	19
1N1600-79820	39	20
1N1600-79830	39	21
1N1600-79840	39	22
1N1600-79850	39	23
1N1600-79860	39	24
1N1600-79870	39	25
1N1600-79880	39	26
1N1600-79890	39	27
1N1600-79900	39	28
1N1600-79910	39	29

Parts No.	Fig. No.	Ref. No.
1N1600-79920	39	30
1N1600-79930	39	31
1N1600-79940	39	32
1N1600-79950	39	33
1N1600-79960	39	34
1N1600-79970	39	35
1N1600-79980	39	36
1N1600-79990	39	37
1N1600-80000	39	38
1N1600-80010	39	39
1N1600-80020	39	40
1N1600-80030	39	41
1N1600-80040	39	42
1N1600-80050	39	43
1N1600-80060	39	44
1N1600-80070	39	45
1N1600-80080	39	46
1N1600-80090	39	47
1N1600-80100	39	48
1N1600-80120	40	1
1N1600-80130	40	2
1N1600-80140	40	3
1N1600-80150	40	4
1N1600-80160	40	5
1N1600-80170	40	6
1N1600-80180	40	7
1N1600-80190	40	8
1N1600-80200	40	9
1N1600-80210	40	10
1N1600-80220	40	11
1N1600-80230	40	12
1N1600-80240	40	13
1N1600-80250	40	14
1N1600-80260	40	15
1N1600-80270	40	16
1N1600-80280	40	17
1N1600-80290	40	18
1N1600-80300	40	19
1N1600-80310	40	20
1N1600-80320	40	21
1N1600-80330	40	22
1N1600-80340	40	23
1N1600-80350	40	24
1N1600-80360	40	25
1N1600-80370	40	26
1N1600-80380	40	27
1N1600-80390	40	28
1N1600-80400	40	29
1N1600-80410	40	30
1N1600-80420	40	31

Parts No.	Fig. No.	Ref. No.
1N1600-80430	40	32
1N1600-80440	40	33
1N1600-80450	40	34
1N1600-80460	40	35
1N1600-80470	40	36
1N1600-80480	40	37
1N1600-80490	40	38
1N1600-80500	40	39
1N1600-80510	40	40
1N1600-80520	40	41
1N1600-80530	40	42
1N1600-80540	40	43
1N1600-80550	40	44
1N1600-80570	31	24 -1
1N1600-80610	30	48
1N1600-80980	36	5 A
1N1600-81430	30	22 -1
	41	43
1N1600-81440	41	42
		57
		63
1N1600-81450	41	48
1N1600-81460	41	45
1N1600-81470	41	52
1N1600-81480	41	60
		60 -1
1N1600-81490	41	44
1N1600-81520	23	6 A
	30	43 A
1N1600-81540	29	32
1N1600-81590	36	26
1N1600-81600	32	11 -1
1N1600-81610	36	20 -1
1N1600-81830	31	32 -1
1N1600-81840	31	33 -1
1N1600-81850	31	34 -1
1N1600-82760	35	56
1N1600-83180	31	25 -1
1N1600-83190	32	10 -1
1N1600-83210	22	29
1N1600-83220	22	30
1N1600-83230	23	2 -1
1N1600-83240	23	65
1N1600-83250	23	59 -1
1N1600-83870	41	8 -1
1N1600-84040	41	18 -1
1N1610-70020	26	4
1N1610-70030	26	5
1N1610-70040	26	7
1N1610-70070	26	9

Parts No.	Fig. No.	Ref. No.
1N1610-70100	26	19
1N1610-70110	26	20
1N1610-70131	25	16
	41	16
1N1610-70210	26	10
1N1610-70220	26	12
1N1619-16010	31	20 -1
1N1633-19041	26	6
1N1633-19110	26	14
1N1633-19120	26	16
1N1633-19130	26	17
1N1633-29070	26	22
1N1633-29080	26	24
1N1633-29090	26	25
1N1633-59010	27	4
		6
	28	2
		5
		9
1N1633-59030	28	10
1N1636-59010	31	13
1N1639-12170	24	18
1N1673-16000	26	1
1N1673-19010	24	6
1N1673-19080	26	11
1N1673-19090	26	13
1N1673-19110	26	15
1N1673-29010	24	12
1N1673-29020	24	13
1N1673-39010	25	9
	41	9
1N1673-39020	25	11
1N1673-39030	25	13
	41	13
1N1673-51001	28	1
1N1673-52001	28	4
1N1675-00050	30	3
1N1678-35000	35	26
1N1678-99030	36	12
1N1679-16010	23	40
1N1679-16020	23	41
1N1679-19110	26	30
1N1682-39010	23	26
1N1683-13000	24	3
1N1683-14000	24	4
1N1683-15000	24	5
1N1683-19010	25	2
1N1683-19040	24	10
1N1683-19050	24	11
1N1683-81000	35	1

## Parts No. Index

Parts No.	Fig. No.	Ref. No.
1N1683-89010	35	3
1N1689-14010	24	16
1N1689-14020	24	17
1N1689-19010	26	28
1N1689-19020	26	29
1N1723-91010	38	4
1N1723-91030	38	5
1N1723-91100	38	6
1N1723-91110	38	8
1N1723-91120	38	7
1N1723-91140	38	10
1N1723-91160	38	9
1N1723-91300	38	14
1N1723-91310	38	15
1N1763-19060	26	8
1N1763-29050	26	21
1N1763-29070	26	23
1N1763-39010	25	10
1N1767-59020	25	55 -1
1N1803-99010	24	14
1N1803-99020	24	15
1N1808-31000	35	15
1N1829-16010	34	27
1N1833-34000	25	5
1N1833-39020	25	12
	41	12 -1
1N1833-39030	25	14
	32	10
1N1853-49010	26	26
1N1863-19010	26	2
1N1863-55000	28	8
1N1867-37000	34	4
1N1867-99020	37	9
1N1868-19020	35	12
1N1868-31000	35	14
1N1886-72000	30	6
1N1886-79020	30	9
1N1886-79030	30	10
1N1886-79040	30	11
1N1886-79050	30	12
1N1886-79060	30	13
1N1886-79080	30	14
		14 -1
1N1886-79090	30	15
1N1896-79010	30	7
1N1937-99070	37	10
1N1938-31000	35	16
1N1938-74000	35	33
1N1938-75000	35	34
1N3067-59910	34	19

Parts No.	Fig. No.	Ref. No.
1N3068-39010	35	30
1N3073-19010	24	7
1N3073-34000	25	6
1N3073-35000	25	7
1N3073-36000	25	8
1N3075-00010	30	1
1N3075-99010	30	5
1N3077-22000	32	3
1N3077-23000	32	4
1N3077-26000	32	5
1N3077-59090	25	19
1N3077-66000	33	15
1N3077-69020	33	16
	34	23
1N3077-69030	34	24
1N3077-69040	34	25
1N3077-69060	34	26
1N3077-69130	32	9
1N3077-69150	25	20
1N3078-11000	25	40
	41	31
1N3078-42000	25	42
1N3078-49010	25	43
1N3078-49020	25	44
1N3079-16030	34	28
1N3102-14000	23	22
1N3102-15001	23	23
1N3102-19020	23	25
1N3102-49010	23	29
1N3102-49020	23	30
1N3102-49030	23	31
1N3102-61000	23	32
1N3102-69020	23	35
1N3102-69030	23	36
1N3102-69040	23	37
1N3102-69050	23	38
1N3103-61000	27	3
1N3103-62000	27	5
1N3106-79010	30	8
1N3151-69230	23	8
	30	44
1N3153-32000	41	7
1N3153-41000	41	17
1N3153-49030	41	56
1N3153-89010	41	2
1N3157-39020	34	6
1N3157-39030	34	7
1N3157-59011	25	18
1N3158-31000	35	17
1N3158-31200	35	18

Parts No.	Fig. No.	Ref. No.
1N3163-14000	25	1
1N3163-33000	41	6
1N3163-34000	41	5
1N3163-35000	41	8
1N3163-36000	41	14
1N3163-37000	41	34
1N3163-39020	41	10
1N3163-39040	41	35
1N3163-39050	41	55
1N3163-39051	41	55 -1
1N3163-39060	41	36
1N3163-39070	41	12
1N3163-39080	41	37
1N3163-42000	41	38
1N3163-89050	41	39
1N3163-89080	41	40
1N3167-99191	37	11
1N3168-31000	35	16 -1
1N3198-21000	41	32
	41	41
1N3229-19050	37	34
1N3234-81000	29	5 -1
1N3237-99030	37	3
1N3237-99060	37	22
1N3237-99070	37	23
1N3237-99260	37	20
1N3237-99270	37	21
1N3238-51000	36	4
1N3240-21000	21	1
1N3240-22000	21	2
1N3240-22001	21	2 -1
1N3240-23000	21	3
1N3240-24000	21	4
1N3240-25000	21	5
1N3240-26000	22	1
1N3240-27000	22	2
1N3240-28000	22	26
1N3240-29010	31	1
1N3240-29020	21	6
1N3240-29030	21	16
1N3240-29050	22	27
1N3240-29060	21	19
1N3240-31000	22	3
1N3240-33000	22	4
1N3240-33001	22	4 -1
1N3240-34000	22	25
1N3240-39020	22	5
1N3241-00010	23	1
1N3241-19010	23	15 -2
1N3241-61000	23	7

Parts No.	Fig. No.	Ref. No.
1N3242-11000	23	17
1N3242-11001	23	17 -1
1N3242-12000	23	18
1N3242-13000	23	19
1N3242-14000	23	20
1N3242-14001	23	20 -1
1N3242-15000	23	21
1N3242-19010	23	24
1N3242-19020	23	49 -1
1N3242-19050	23	66
1N3242-39010	23	40 -1
1N3242-49010	23	27
1N3242-49011	23	27 -1
1N3242-49020	23	28
1N3242-49030	23	29 -1
1N3242-49040	23	31 -1
1N3242-61000	23	33
1N3242-69010	23	35 -1
1N3242-69020	23	37 -1
1N3243-12000	24	7 -1
1N3243-13000	41	1
1N3243-14000	24	7 -2
1N3243-19020	24	31
1N3243-19030	24	32
1N3243-19040	24	4 -1
1N3243-19050	24	5 -1
1N3243-29010	26	18
1N3243-39010	25	11 -1
		11 -2
1N3243-39020	41	11
1N3243-49010	26	27
1N3243-49020	27	2
1N3243-51000	28	3
1N3243-69010	27	7
1N3243-81000	41	15
1N3243-89010	35	1 -1
1N3243-89020	35	2
1N3243-89030	41	62
1N3244-00010	29	1
1N3244-11000	23	62
1N3244-12000	29	2
1N3244-13000	29	3
1N3244-14000	29	4
1N3244-19010	23	63
1N3244-81000	29	5
1N3244-82000	29	6
1N3244-86000	29	9
1N3244-87000	29	10
1N3244-89010	29	11
1N3244-91000	29	12

## Parts No. Index

Parts No.	Fig. No.	Ref. No.
1N3244-92000	29	13
1N3244-93000	29	14
1N3244-94000	29	15
1N3244-99010	29	17
1N3244-99020	29	18
1N3244-99030	29	19
1N3245-00010	30	2
1N3245-00011	30	2 -1
1N3245-19010	30	4
		4 -1
1N3245-19030	30	47
1N3245-19040	30	4 -2
1N3245-91000	30	51
1N3246-39010	27	20
1N3246-39020	31	3
1N3246-39030	31	4
1N3246-49010	31	5
1N3246-51000	31	6
1N3246-53000	31	7
1N3246-54000	31	8
1N3246-55000	31	9
1N3246-56000	31	10
1N3246-57000	31	11
1N3246-58000	31	12
1N3246-61000	31	14
1N3246-62000	31	15
1N3246-63000	31	16
1N3246-64000	31	17
1N3246-69010	31	18
1N3246-71000	30	23 -1
		28 -1
1N3246-79010	30	49
1N3247-11000	32	1
1N3247-22000	32	2
1N3247-31000	33	1
1N3247-32000	34	1
1N3247-33000	34	2
1N3247-34000	34	3
1N3247-39010	34	5
1N3247-39020	32	14 -2
1N3247-41000	33	2
1N3247-42000	33	3
1N3247-43000	33	4
1N3247-44000	34	8
1N3247-51000	34	10
1N3247-52000	34	11
1N3247-53000	34	12
1N3247-54000	34	13
1N3247-55000	34	14
1N3247-57000	33	5

Parts No.	Fig. No.	Ref. No.
1N3247-58000	33	6
1N3247-59010	34	15
1N3247-59020	34	16
1N3247-59030	34	17
1N3247-59040	34	18
1N3247-59050	33	8
1N3247-59060	33	9
1N3247-59070	33	10
1N3247-59080	33	11
1N3247-59090	33	12
1N3247-59100	33	13
1N3247-59110	33	14
1N3247-59130	34	9 -1
1N3247-61000	32	6
1N3247-62000	32	7
1N3247-63000	34	20
1N3247-64000	34	21
1N3247-65000	32	8
1N3247-66000	32	8 -1
1N3247-69010	34	22
1N3247-69020	33	17
1N3247-69030	34	24 -1
1N3247-69040	34	25 -1
1N3247-69050	32	11 -2
1N3247-69060	32	21
1N3247-71000	33	18
1N3247-72000	33	19
1N3247-73000	33	20
1N3247-74000	33	21
1N3247-99010	37	1
1N3247-99020	37	2
1N3247-99030	37	4
1N3247-99040	37	18
1N3247-99050	37	19
1N3247-99060	37	24
1N3247-99070	37	25
1N3247-99080	37	5
1N3247-99081	37	5 -1
1N3247-99090	37	6
1N3247-99091	37	6 -1
1N3247-99100	37	7
1N3247-99110	37	8
1N3247-99120	37	26
1N3247-99130	37	33
1N3248-19010	35	11
1N3248-19020	35	13
1N3248-29010	32	17
1N3248-29011	32	17 -1
1N3248-29020	32	18
1N3248-29021	32	18 -1

Parts No.	Fig. No.	Ref. No.
1N3248-29030	29	35
1N3248-31000	35	19
1N3248-32000	35	20
1N3248-33000	35	22
1N3248-33200	35	23
1N3248-34000	35	24
1N3248-34200	35	25
1N3248-35000	35	27
1N3248-36000	35	28
1N3248-37000	35	29
1N3248-39010	35	31
1N3248-41000	35	54
1N3248-42000	35	55
1N3248-43000	36	22 -1
1N3248-45000	35	34 -1
1N3248-51000	36	5
1N3248-51001	36	5 -1
1N3248-51002	36	5 -2
1N3248-52000	36	6
1N3248-52001	36	6 -1
1N3248-53000	36	7
1N3248-53001	36	7 -1
1N3248-54000	36	8
1N3248-55000	36	22
1N3248-56000	36	23
1N3248-57000	36	7 -2
1N3248-61000	36	9
1N3248-62000	35	32
1N3248-62001	35	32 -1
1N3248-71000	36	10
1N3248-72000	36	11
1N3248-73000	35	57
1N3248-89010	35	35
1N3249-16010	33	23
1N3249-16020	29	22
1N3249-16030	33	23 -1
1N3249-16040	31	21 -1
1N3249-16050	31	22 -1
1N3249-19010	37	16
1N3249-19011	37	16 -1
1N3249-81000	37	17
22117-040000	14	61
22117-100000	35	52 -1
22137-040000	35	51
22137-050000	25	49
22137-060000	24	27
	25	50
	28	18
	33	35

Parts No.	Fig. No.	Ref. No.
22137-080000	21	14
	22	23
	25	32
		32 -1
		32 -2
	29	30
	31	41
	32	14
		14 -1
	33	36
	34	42
		42 -1
22137-100000	25	33
	29	33
	35	52
	36	2
22137-120000	21	18
22137-160000	23	52
22137-200000	30	40
	31	42
22157-060000	29	20
	33	25 -1
	34	32
	36	13
	41	50
22157-080000	22	11 -1
	29	21 -1
	33	26 -1
22157-100000	31	23 -1
22190-060002	14	62
22190-060003	14	62 -1
22190-080002	2	23
		24
	10	34 B
		34 B-2
		35 -1
		35 -3
22190-080003	10	34 B-1
		35 -2
22190-100002	10	36 -1
	14	63
22190-120002	14	64
	15	52 -1
	16	20 -1
22190-160002	3	7
	13	91
22190-220002	3	19
	22	34
22217-040000	35	53
22217-050000	13	82

## Parts No. Index

Parts No.	Fig. No.	Ref. No.
22217-060000	13	83
	25	51
	28	19
	37	27
22217-080000	21	15
	22	24
	23	16
	31	43
	36	3
22217-100000	27	15
	28	20
	37	28
22217-120000	7	16
	23	53
22217-160000	23	54
22242-000150	31	44
22242-000200	31	45
22242-000250	31	46
22242-000280	26	42
22252-000260	8	30
22252-000300	26	43
22252-000420	23	55
22252-000450	26	44
22252-000470	23	56
22252-000520	26	45
22252-000620	31	47
22252-000720	27	16
22272-000050	14	90
22287-120000	14	65
22351-025025	25	56
		56 -1
22351-030025	34	47
22351-040010	8	8
22351-040020	25	55
22351-040025	25	55 -2
		55 -3
22351-045025	25	38
	41	29
22351-050010	13	84
22351-050020	34	45
22351-050025	34	45 -1
		46
22351-060012	4	29
22351-060016	26	40
22351-060025	26	41
22351-060045	28	21
22351-100045	28	22
22372-040000	14	66
22372-060000	33	37
22372-080000	29	31

Parts No.	Fig. No.	Ref. No.
22372-080000	33	38
	34	44
22417-160100	25	34
22417-200120	34	43
22417-200160	25	52
22417-250160	25	35
	32	15
	41	27
		59
22417-250200	24	28
22417-320200	25	36
	41	28
22417-400320	30	41
22512-070140	7	8
	8	6
22551-050250	31	49
23000-013000	12	19
	16	38
	17	15
23000-016000	11	37
23000-060000	5	14
23010-038000	12	18
23061-070230	12	7
23414-080000	10	35
23414-100000	10	36
23414-120000	15	52
23414-120016	14	91 C
23418-060000	16	36
23871-010000	1	14
23871-030000	11	12
		27
23876-010000	1	14 -1
23876-030000	11	12 -1
		27 -1
23887-100002	14	67
24101-060054	23	57
	26	46
24101-062054	26	48
24101-062074	26	49
24101-063034	13	85
24104-060044	23	58
24104-062010	19	14 -1
24104-063054	31	48
24104-063064	27	17
24105-060064	7	22
24107-062010	19	14
24311-000120	4	57
24311-000140	17	13
24311-000160	2	14
	10	27

Parts No.	Fig. No.	Ref. No.
24311-000160	16	14
24311-000200	30	42
24311-000320	2	8 A
	4	59
24311-240100	16	7
		37
24321-000650	16	10
24341-000160	13	86
24341-000240	2	29
24341-000280	14	68
24341-000500	4	54
24421-254008	26	54
24421-254708	23	61
24421-355511	26	55
25132-003600	11	15
26013-050162	25	46 -1
		46 -2
26013-060122	31	36
26013-060162	31	37
26013-080124	28	15
26013-080162	22	15
	25	25
26013-100164	21	9
26013-100202	21	10 -1
	35	47 -1
26013-100252	22	18
	24	23 -1
	27	12
	29	25
	31	39
26013-120252	22	19 -1
26013-120302	21	11 -1
	31	2 -1
26013-120352	23	64
26013-120452	24	20
26014-080252	19	18
26014-080702	16	16
26022-050102	13	87
26022-050122	13	87 -1
26022-060162	13	88
26106-060102	14	69
		70
		71
26106-060122	2	30
	25	26
	29	26
	31	36 -1
	32	19
	35	41
	36	24

Parts No.	Fig. No.	Ref. No.
26106-060122	41	23
		46
26106-060142	14	72
26106-060162	2	30 -1
	22	33
	25	27
	29	27
	31	37 -1
	33	31
	34	38
	35	5
		42
		42 -1
	41	47
		61
26106-060202	14	73
	30	39
	35	43
		43 -1
26106-060252	30	35
	35	44
26106-060352	25	45 -1
		45 -2
26106-060502	11	19
26106-080122	2	16
		27
	22	20
	25	25 -1
		25 -2
		47
	30	36
	35	45
		45 -1
	41	22
		51
26106-080142	1	31 -1
	4	7
26106-080162	1	31
	2	17
		18
	3	8
	4	55
	21	17
	22	15 -1
	25	28
	29	28
	30	37
	31	52
	35	46
	41	24



# Parts No. Index

Parts No.	Fig. No.	Ref. No.
26106-080162	41	58
26106-080202	5	4
	10	28
	11	32
	21	8 -1
	22	16 -1
		17 -1
	23	14 -1
	24	21
		30
	25	29
	30	50
	31	38 -1
		38 -2
26106-080252	3	9
	4	43
	11	33
	24	22
		22 -1
	31	35 -1
	32	13
26106-080302	3	15
	21	12
	22	14 -1
26106-080352	3	16
	5	8
	10	21
26106-080452	2	19
	3	10
	7	14
26106-080502	4	44
	5	5
	11	34
26106-080552	2	20
26106-080602	11	14
		35
26106-080702	22	21
26106-080802	6	4
	30	38
26106-080852	2	21
26106-080902	9	3
26106-100202	35	47
26106-100252	24	23
26106-100652	19	1
26116-050302	13	89
26116-060162	11	28
26116-060302	35	40
26116-080202	25	24
	41	21
26116-080252	41	21 -1

Parts No.	Fig. No.	Ref. No.
26116-080304	22	14
26116-081352	23	13
26116-081402	23	13 -1
26116-100402	26	37
26116-120202	18	38
26116-120252	18	35
26117-060254	28	13
	37	29
26117-080162	21	13
	24	19
26136-120162	22	32
26136-120452	24	20 -1
26156-100552	34	37
26206-100202	18	39
26207-100162	26	36
26207-100304	27	11
	28	14
	37	30
26216-060202	4	16
26216-080222	6	5
26216-080402	9	4
26216-080802	6	6
26226-080182	4	42
26306-080002	2	22 -1
	6	3 -2
	9	2 -1
26306-100002	19	16 -2
26366-060002	4	30
26366-080002	2	22
	6	3 -1
	9	2
26366-100002	19	16
		16 -1
26367-040002	35	48
26367-060002	25	48 -1
		48 -2
	29	29
	33	33
	34	39
	35	49
		49 -1
	36	25
	41	49
26367-080002	22	22 -1
	23	15 -1
	24	25
	25	30
	31	51
	36	1 -1
	41	25

Parts No.	Fig. No.	Ref. No.
26367-080002	41	54
26367-120002	24	26
26377-120002	24	26 -1
26450-060252	10	15
26554-060162	6	13
26557-040102	33	32
26557-050122	17	14
26577-060152	11	11
26687-120002	14	91
26707-100002	27	13
	28	17
	37	32
26716-060002	13	90
26716-120002	7	17
26717-060002	25	48
	28	16
	36	21
	37	31
26717-080002	22	22
	23	15
	25	31
	31	40
		40 -1
	32	20
	36	1
	41	26
26717-100002	26	39
	27	14
	33	34
26717-120002	23	51
	34	40
26717-160002	23	50
	24	24
26736-120002	14	91 A
26737-100002	34	41
26737-120002	35	50
26756-060002	14	74
		93
26776-120002	14	75
		75 -1
27231-500000	1	15
27241-120000	1	16
27241-300000	1	17
27241-400000	4	17
27310-080001	4	22
28110-100120	20	11
28110-140170	20	12
28110-190220	20	13
28210-000140	20	14
721400-92102	20	8 -1

Parts No.	Fig. No.	Ref. No.
729001-01560	1	1
729002-01560	1	2
729061-51360	13	1
729065-51360	13	2
729132-11521	4	45 -1
729402-11650	4	38
729402-23100	8	31
729503-53100	15	1
7N1600-78800	24	2
7N1600-78810	24	1
7N1600-83300	29	16 -1
7N3073-32000	25	3
	41	3
7N3073-33000	25	4
7N3103-81000	25	15
7N3153-31000	41	4
7N3163-00010	41	33
7N3233-11000	24	1 -1
7N3233-11001	24	1 -2
7N3243-11000	24	2 -1
7N3243-11001	24	2 -2
7N3244-84000	29	7
7N3244-84001	29	7 -1
7N3244-85000	29	8
7N3244-95000	29	16
7N3248-21000	32	16
7N3743-31000	41	4 -1
X0280210230	18	11
X0283060061	18	2
X0283270140	18	12
X0289030010	18	3
X2114535200	18	34 L
X3A08863KA	19	15 -1
X9490561370	18	4
X9491200240	18	5
X9491730461	18	26
XM069000000	19	8
XM081780000	19	9
XM178780000	19	10
XM219230000	19	3
XM329830000	19	14 A
XM771860000	19	10 -1
XM860250000	19	5
XM863720000	19	6
XYSPS400800	19	11
XYSPS402400	19	12